



**KingNod**  
for water, for life



# 2016 Catalogue

*Swimming Pool Equipments*



# PRODUCT DIRECTORY

Select the right product & solution to meet your needs.

## Introduction

Product Directory ..... 1

## Filter

<b>MAX Top Mount Filter</b> .....	1
<b>MAX Side Mount Filter</b> .....	2
P series Top Mount Filter.....	3
SP series Side Mount Filter .....	4
V series Top Mount Filter.....	5
S series Side Mount Filter.....	6
S series Ring Lock Filter .....	7
SMG series Gelcoat Filter.....	8
SDB series Side Mount Deep Bed Filter.....	9
HD series Deep Bed Filter.....	10
<b>NL series Commercial Filter</b> .....	11
<b>K series Commercial Filter</b> .....	12
<b>H series Commercial Filter</b> .....	13-18
CF series Cartridge Filter.....	19
CFO series Cartridge Filter.....	20

## Filter System

ULTRA Filter System .....	21
COMPACT Filter System  .....	22
FSP series Filter System.....	23
FSF series Filter System .....	24
FSJ series Filter System .....	25
FSB series Filter System.....	26
EMD series In-ground Filter System.....	27-28
FSC series Filter System.....	29
KOK series Filter System.....	30



## Filtration Media

Crystal Filtration Media.....	31
Ruby Filtration Media.....	32




## Valve and Pressure Gauge

Multiport Valve.....	33-37
Butterfly Valve for Commercial Filter.....	39
Pressure Gauge and Union.....	40
Valve .....	41

## Pump

<b>E-Power Variable Speed Pump</b> .....	42-44
<b>E-POWER Pump</b> .....	45
<b>SUPER POWER Variable Speed Pump</b>  .....	46
<b>SUPER POWER Pump</b>  .....	47
SB series Pump.....	48
SR series Pump.....	49
SC series Pump .....	50
SS series Pump .....	51
SD series Pump .....	52
ST series Pump .....	53
AQUA-MINI Pump.....	54
SE series Commercial Pump .....	55
AFS series Pump.....	56
Air Blower.....	57
Pump Control Box.....	58

## Lighting

<b>E-LUMEN Light</b> .....	59-62
<b>E-LUMEN COMPACT Light</b>  .....	63
P100 series Light.....	64
TP100 series Light.....	65
CP100 series Light.....	66
P300 series Light.....	67
NP300 series Light.....	68
H100 / H200 Light.....	69
NS75 / NS150 series Light.....	70
S300 series Light.....	71
S100 series Light.....	72
P50 / P10 series Light.....	73
<b>TERRA-LUX Light</b>  .....	74
<b>E-FUSION Light</b>  .....	75
F20 / F20A series Light.....	76
Light Control Box .....	77
Transformer and Junction Box.....	78

**Pool Fitting**

**Heavy Duty Skimmer** .....79-80  
 Standard Skimmer ..... 81  
**VGB Main Drain** .....82  
 Main Drain .....83  
**Anti Slip Grating**  .....84  
 Corner Tile and Profile .....85  
 Grating .....86  
 Wall Return and Gutter Drain .....87  
 Suction Fitting, Vacuum and Outlet Fitting -88  
 Eyeball Jet and Jet Body .....89  
 Spa Jet.....90  
 Spa Fitting .....91-93


**Water Feature**

Water Descent .....94-95  
 Counter Current Jet .....96-98


**Surrounding Equipment**

NSL series Ladder .....99  
 SLF series Ladder ..... 100  
 NSF series Ladder .....101  
 SFF series Ladder .....102  
 NMU series Ladder .....103  
 MUF series Ladder .....104  
 OF series Ladder .....105  
 OFF series Ladder .....106  
 ARA / ARB / ARC series Exit Handrail .....107-108  
 ARP / ARV series Exit Handrail .....109  
 Ladder Lower Part .....110-111  
 Handrail Component .....112  
 Shower Head .....113-114  
 Starting Platform .....115


**Disinfection System**

SSC series Salt Chlorinator .....116-117  
**CTRL series Solenoid Driven Metering Pump**  .....118-119  
 FOS series UV-C Disinfection System .....120  
 Chemical Feeder .....121

**Cleaning Equipment**

CE306 Automatic Pool Cleaner .....122  
 Pole and Hose .....123  
 Hand Skimmer and Brush .....124  
 Vaccum, Thermometer and Test Kit .....125  
**Cleaning Trolley**  .....126

**Heating**

HE series Heat Exchanger.....127-128  
**Plate Heat Exchanger**  .....129-130  
 B2 series Heat Pump.....131  
 B series Heat Pump.....132  
 A series Heat Pump.....133

**Sauna**

Sauna Room.....134-135  
 Sauna Heater.....136  
 Sauna Accessories.....137

Note .....138

 **New Product**

# MAX TOP MOUNT FILTER



Filter Max filters are blown at one-piece with high density polyethylene for its heavy duty performance and reliability.

## Product Focus



1. Unique one-piece clamp with screw-type lock designed to simplify installation and allow tool-free servicing.
2. Equipped with multiport valve with 6-way functions.
3. Easy-to-read pressure gauge for easy inspection.

## Highlight Features:

- Suggested Installation:  
Domestic In-ground and above ground pool / hot spa tub
- Max operating pressure 40 psi / 2.8 bar
- Max temperature of 50°C (122°F)
- Universal standard of union connection provided
- ABS lateral provided
- Suggested size of media : 0.5-0.8mm

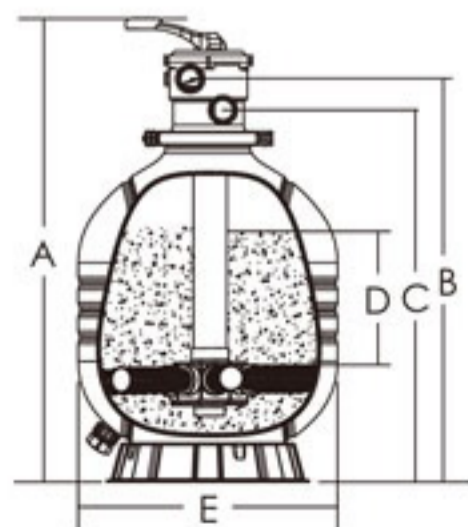
## Technical Information

Code	Model No	Filter Area(m <sup>2</sup> )	Valve Connections		Max Flow Rate		Sand(kg)
88012526	MFV17	0.14	1.5 inch	50mm	117lpm	7.0m <sup>3</sup> /h	40
88012527	MFV20	0.20	1.5 inch	50mm	167lpm	10.0m <sup>3</sup> /h	70
88012528	MFV24	0.28	1.5 inch	50mm	233lpm	14.0m <sup>3</sup> /h	125
88012529	MFV27A	0.36	1.5 inch	50mm	240lpm	14.4m <sup>3</sup> /h	185
88012530	MFV27	0.36	2.0 inch	63mm	300lpm	18.0m <sup>3</sup> /h	185
88012531	MFV31A	0.47	1.5 inch	50mm	313lpm	18.8m <sup>3</sup> /h	320
88012532	MFV31	0.47	2.0inch	63mm	392lpm	23.5m <sup>3</sup> /h	320
88012533	MFV35	0.61	2.0 inch	63mm	508lpm	30.5m <sup>3</sup> /h	430

Note: Suggested sand weight varies with differences in filter media size. For reference only.

## Product Dimension

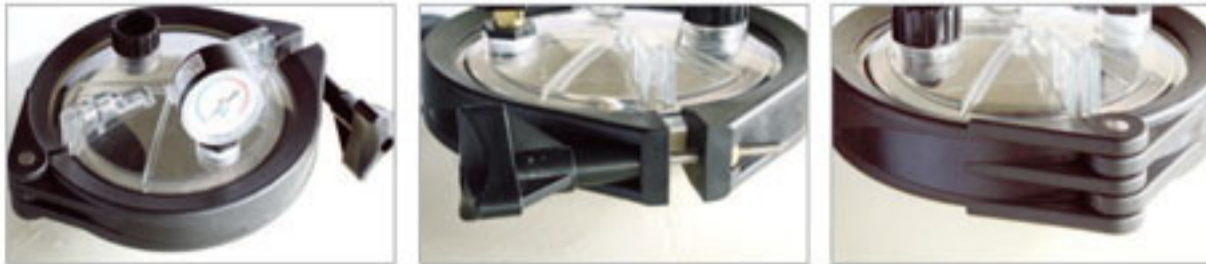
Model No	A mm	B mm	C mm	D mm	E mm
MFV17	816	695	625	195	425
MFV20	889	772	712	225	500
MFV24	980	860	800	280	600
MFV27A	1081	963	903	300	675
MFV27	1133	976	910	300	675
MFV31A	1126	1008	948	370	775
MFV31	1178	1021	955	370	775
MFV35	1296	1139	1073	440	875



Filter Max filters are blown at one-piece with high density polyethylene for its heavy duty performance and reliability.



## Product Focus



1. Unique one-piece clamp with screw-type lock designed to simplify installation and allow tool-free servicing.
2. Equipped with multiport valve with 6-way functions.
3. Easy-to-read pressure gauge for easy inspection.

## Technical Information

Code	Model No	Filter Area(m <sup>2</sup> )	Valve Connections		Max Flow Rate		Sand(kg)
88012626	MFS17	0.14	1.5 inch	50mm	117lpm	7.0m <sup>3</sup> /h	40
88012627	MFS20	0.20	1.5 inch	50mm	167lpm	10.0m <sup>3</sup> /h	70
88012628	MFS24	0.28	1.5 inch	50mm	233lpm	14.0m <sup>3</sup> /h	125
88012629	MFS27A	0.36	1.5 inch	50mm	240lpm	14.4m <sup>3</sup> /h	185
88012630	MFS27	0.36	2.0 inch	63mm	300lpm	18.0m <sup>3</sup> /h	185
88012631	MFS31A	0.47	1.5 inch	50mm	313lpm	18.8m <sup>3</sup> /h	320
88012632	MFS31	0.47	2.0inch	63mm	392lpm	23.5m <sup>3</sup> /h	320
88012633	MFS35	0.61	2.0 inch	63mm	508lpm	30.5m <sup>3</sup> /h	430

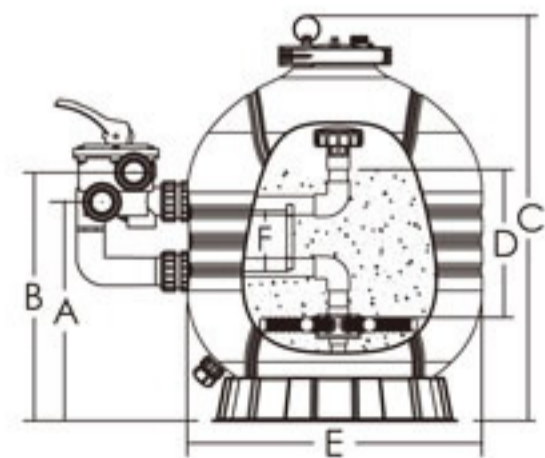
Note: Suggested sand weight varies with differences in filter media size. For reference only.

## Product Dimension

Model No	A mm	B mm	C mm	D mm	E mm	F mm
MFS17	354.5	417.5	670	195	425	125
MFS20	396.3	549.3	760	225	500	125
MFS24	429.5	492.5	825	280	600	125
MFS27A	480.0	543.0	946	300	675	125
MFS27	459.5	545.5	946	300	675	130
MFS31A	505.5	568.5	968	370	775	125
MFS31	508.0	594.0	968	370	775	130
MFS35	564.0	650.0	1086	440	875	130

## Highlight Features:

- Suggested Installation:  
Domestic In-ground and above ground pool / hot spa tub
- Max operating pressure 40 psi / 2.8 bar
- Max temperature of 50°C (122°F)
- Universal standard of union connection provided
- ABS lateral provided
- Suggested size of media : 0.5-0.8mm



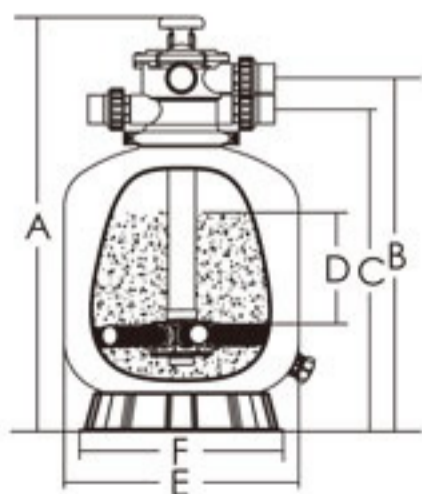
## P SERIES TOP MOUNT FILTER



Polyethylene tank has been well-received by the industry due to the durability, trustworthy performance and economical reason. With UV-resistant material used, it is able to operate under prolong sunlight for years of reliability. "P" Series (P350-P700) top mount filters are equipped with a six-position, top mount multiport valve and ABS laterals.

### Highlight Features:

- Suggested Installation:  
Domestic In-ground and above ground pool / hot spa tub
- Max operating pressure 28 psi / 2.0 bar
- Max temperature of 40°C (104°F)
- Universal standard of union connection provided
- Suggested size of media : 0.5-0.8mm



### Technical Information

Code	Model No	Filter Area(m <sup>2</sup> )	Valve Connections		Max Flow Rate		Sand(kg)
88011601	P350	0.10	1.5 inch	50mm	72lpm	4.32m <sup>3</sup> /h	20
88011602	P400	0.13	1.5 inch	50mm	102lpm	6.12m <sup>3</sup> /h	35
88011603	P450	0.16	1.5 inch	50mm	130lpm	7.80m <sup>3</sup> /h	45
88011604	P500	0.22	1.5 inch	50mm	180lpm	10.80m <sup>3</sup> /h	85
88011605	P650	0.31	1.5 inch	50mm	255lpm	15.30m <sup>3</sup> /h	145
88011607	P700	0.39	1.5 inch	50mm	320lpm	19.20m <sup>3</sup> /h	210

Note: Suggested sand weight varies with differences in filter media size. For reference only.

### Product Dimension

Model No	A mm	B mm	C mm	D mm	E mm	F mm
P350	726	619	550	160	350	298
P400	757	640	590	175	400	390
P450	814	698	638	210	449	390
P500	845	730	670	235	527	500
P650	950	835	775	300	627	500
P700	1020	905	845	330	703	500

# SP SERIES SIDE MOUNT FILTER

Polyethylene tank has been well-received by the industry due to the durability, trustworthy performance and economical reason. With UV-resistant material used, it is able to operate under prolong sunlight for years of reliability. "SP" Series (SP350-SP700) side mount filters are equipped with a six-position, side mount multiport valve and ABS laterals.



## Technical Information

Code	Model No	Filter Area(m <sup>2</sup> )	Valve Connections		Max Flow Rate		Sand(kg)
88011703	SP450	0.16	1.5 inch	50mm	130lpm	7.80m <sup>3</sup> /h	45
88011704	SP500	0.22	1.5 inch	50mm	180lpm	10.80m <sup>3</sup> /h	85
88011705	SP650	0.31	1.5 inch	50mm	255lpm	15.30m <sup>3</sup> /h	145
88011707	SP700	0.39	1.5 inch	50mm	320lpm	19.20m <sup>3</sup> /h	210

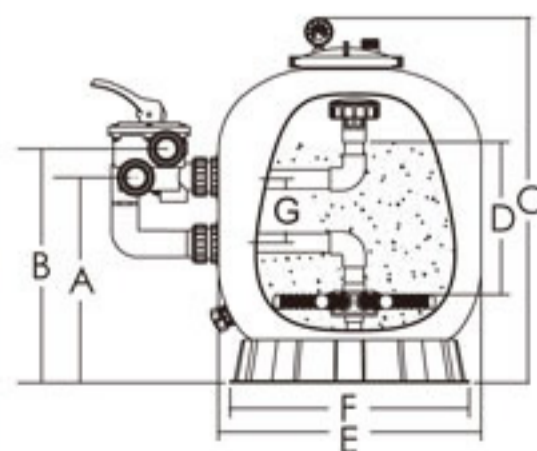
Note: Suggested sand weight varies with differences in filter media size, For reference only.

## Product Dimension

Model No	A mm	B mm	C mm	D mm	E mm	F mm	G mm
SP450	360	420	730	210	449	390	125
SP500	390	450	770	235	527	500	125
SP650	430	490	850	300	627	500	125
SP700	450	510	960	330	703	500	125

## Highlight Features:

- Suggested Installation:  
Domestic In-ground and above ground pool / hot spa tub
- Max operating pressure 28 psi / 2.0 bar
- Max temperature of 40°C (104°F)
- Universal standard of union connection provided
- Suggested size of media : 0.5-0.8mm

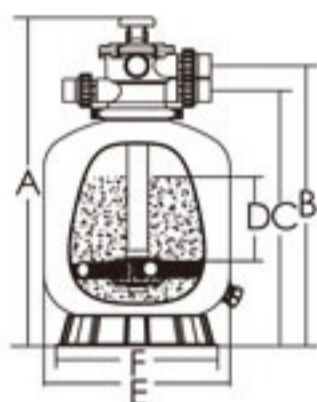


# V SERIES TOP MOUNT FILTER

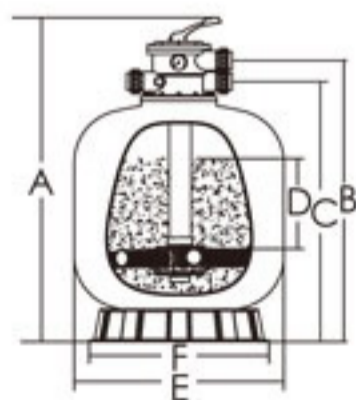
Bobbin-wound fiberglass reinforced tank is still the most popular standard in the industry after all. With UV-resistant surface finish, it is able to operate under prolong sunlight for years of reliability. "V" Series (V350-V1200) filters are equipped with a six-position, clamp style multiport valve and ABS laterals.

### Highlight Features:

- Suggested Installation:  
Domestic In-ground and above ground pool / hot spa tub
- Max operating pressure 36 psi / 2.5 bar
- Max temperature of 43°C (109°F)
- Universal standard of union connection provided
- Suggested size of media : 0.5-0.8mm



V350-V700



V700(B)-V1200



V350-V700



V700(B)-V1200

### Technical Information

Code	Model No	Filter Area(m <sup>2</sup> )	Valve Connections		Max Flow Rate		Sand(kg)
88010101	V350	0.09	1.5 inch	50mm	72lpm	4.32m <sup>3</sup> /h	20
88010102	V400	0.13	1.5 inch	50mm	108lpm	6.48m <sup>3</sup> /h	35
88010103	V450	0.16	1.5 inch	50mm	135lpm	8.10m <sup>3</sup> /h	45
88010104	V500	0.22	1.5 inch	50mm	185lpm	11.10m <sup>3</sup> /h	85
88010105	V650	0.32	1.5 inch	50mm	260lpm	15.60m <sup>3</sup> /h	145
88010107	V700	0.40	1.5 inch	50mm	325lpm	19.50m <sup>3</sup> /h	210
88010608	V700(B)	0.41	2.0 inch	63mm	336lpm	20.16m <sup>3</sup> /h	215
88010609	V800	0.50	2.0 inch	63mm	415lpm	24.90m <sup>3</sup> /h	355
88010610	V900	0.64	2.0 inch	63mm	520lpm	31.20m <sup>3</sup> /h	470
88010650	V900(C)	0.64	2.5 inch	75mm	533lpm	32.00m <sup>3</sup> /h	470
88010611	V1000	0.79	2.0 inch	63mm	650lpm	39.00m <sup>3</sup> /h	620
88010651	V1000(C)	0.79	2.5 inch	75mm	658lpm	39.50m <sup>3</sup> /h	620
88010613	V1200	1.13	2.0 inch	63mm	860lpm	51.60m <sup>3</sup> /h	860
88010652	V1200(C)	1.13	2.5 inch	75mm	941lpm	56.50m <sup>3</sup> /h	860

Note: Suggested sand weight varies with differences in filter media size. For reference only.

### Product Dimension

Model No	A mm	B mm	C mm	D mm	E mm	F mm
V350	726	619	550	160	355	298
V400	757	640	590	175	410	390
V450	814	698	638	210	455	390
V500	845	730	670	235	535	500
V650	950	835	775	300	635	500
V700	1020	905	845	330	710	500
V700(B)	1092	960	877	390	723	500
V800	1200	1085	1002	425	800	780
V900	1300	1172	1090	480	900	780
V900(C)	1334	1242	990	480	900	780
V1000	1400	1340	1260	580	1000	780
V1000(C)	1434	1410	1160	580	1000	780
V1200	1600	1550	1468	740	1200	1000
V1200(C)	1634	1620	1368	740	1200	1000



# S SERIES SIDE MOUNT FILTER

Bobbin-wound fiberglass reinforced tank is still the most popular standard in the industry after all. With UV-resistant surface finish, it is able to operate under prolong sunlight for years of reliability. Transparent lid is designed for easy inspection of sand bed. "S" Series (S450-S1200) filters are equipped with a six-position, 1.5" & 2.0" & 2.5" multiport valve and ABS laterals.



S450-S700

S700(B)-S900

S1000-S1200

## Technical Information

Code	Model No	Filter Area(m <sup>2</sup> )	Valve Connections		Max Flow Rate		Sand(kg)
88010703	S450	0.16	1.5inch	50mm	135lpm	8.10m <sup>3</sup> /h	45
88010704	S500	0.22	1.5inch	50mm	185lpm	11.10m <sup>3</sup> /h	85
88010705	S650	0.32	1.5inch	50mm	260lpm	15.60m <sup>3</sup> /h	145
88010707	S700	0.40	1.5inch	50mm	325lpm	19.50m <sup>3</sup> /h	210
88011208	S700(B)	0.41	2.0inch	63mm	336lpm	20.16m <sup>3</sup> /h	215
88011209	S800	0.53	2.0inch	63mm	435lpm	24.10m <sup>3</sup> /h	355
88011210	S900	0.66	2.0inch	63mm	495lpm	29.70m <sup>3</sup> /h	470
88011250	S900(C)	0.66	2.5 inch	75mm	550lpm	33.00m <sup>3</sup> /h	470
88011311	S1000	0.82	2.0inch	63mm	670lpm	40.20m <sup>3</sup> /h	620
88011351	S1000(C)	0.82	2.5 inch	75mm	683lpm	41.00m <sup>3</sup> /h	620
88011313	S1200	1.17	2.0inch	63mm	880lpm	52.80m <sup>3</sup> /h	860
88011352	S1200(C)	1.17	2.5 inch	75mm	975lpm	58.50m <sup>3</sup> /h	860

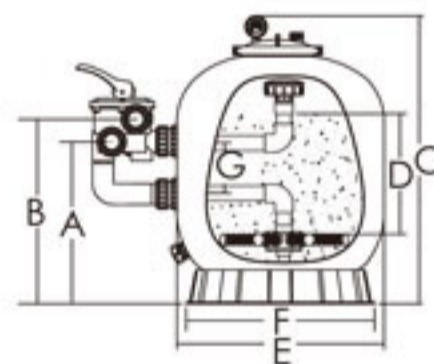
Note: Suggested sand weight varies with differences in filter media size. For reference only.

## Product Dimension

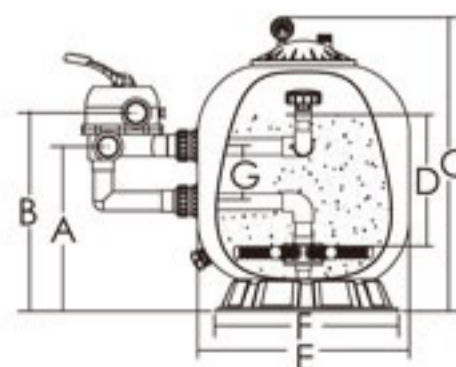
Model No	A mm	B mm	C mm	D mm	E mm	F mm	G mm
S450	360	420	730	210	455	390	125
S500	390	450	770	235	535	500	125
S650	430	490	850	300	635	500	125
S700	450	510	960	330	710	500	125
S700(B)	520	606	890	390	723	500	220
S800	560	646	1050	425	820	780	220
S900	610	696	1180	480	920	780	220
S900(C)	673	744	1180	380	920	780	236
S1000	700	770	1220	580	1020	780	220
S1000(C)	773	844	1220	480	1020	780	236
S1200	820	1005	1410	740	1220	1000	220
S1200(C)	836	1079	1410	640	1220	1000	236

## Highlight Features:

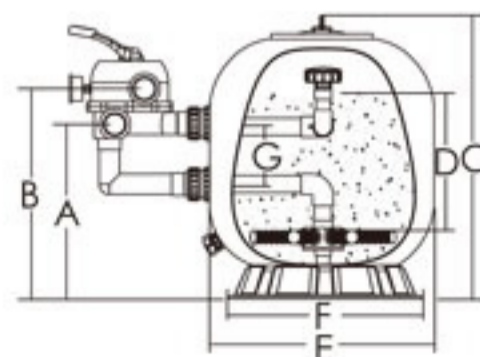
- Suggested Installation:  
Domestic In-ground and above ground pool / hot spa tub
- Max operating pressure 36 psi / 2.5 bar
- Max temperature of 43°C (109°F)
- Universal standard of union connection provided
- Suggested size of media : 0.5-0.8mm



S450-S700



S700(B)-S900

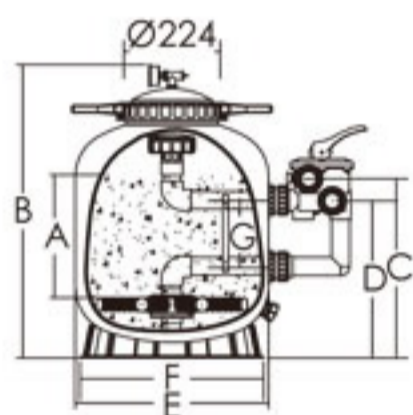


S1000-S1200

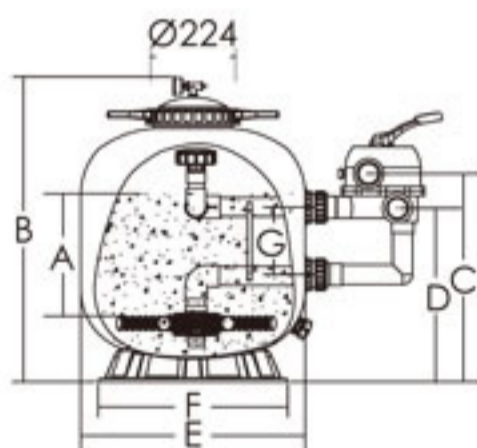
# S SERIES RING LOCK FILTER

## Highlight Features:

- Suggested Installation:  
Domestic In-ground and above ground pool / hot spa tub
- Max operating pressure 36 psi / 2.5 bar
- Max temperature of 43°C (109°F)
- Universal standard of union connection provided
- Suggested size of media : 0.5-0.8mm
- Ø224mm top ring lock and sight glass



S450R-S700R



S700(B)R-S900R

Bobbin-wound fiberglass reinforced tank is still the most popular standard in the industry after all. With UV-resistant surface finish, it is able to operate under prolong sunlight for years of reliability. Transparent lid is designed for easy inspection of sand bed. Without using any tool, the top opening can be removed with special designed ring lock, which makes the maintenance much easier. "S" Series (S450R-S700R) filters are equipped with a six-position, 1.5" & 2" multiport valve and ABS laterals.



S450R-S700R



S700(B)R-S900R

## Technical Information

Code	Model No	Filter Area(m <sup>2</sup> )	Valve Connections		Max Flow Rate		Sand(kg)
88011103	S450R	0.16	1.5inch	50mm	135lpm	8.10m <sup>3</sup> /h	45
88011104	S500R	0.22	1.5inch	50mm	185lpm	11.10m <sup>3</sup> /h	85
88011105	S650R	0.32	1.5inch	50mm	260lpm	15.60m <sup>3</sup> /h	145
88011107	S700R	0.40	1.5inch	50mm	325lpm	19.50m <sup>3</sup> /h	210
88011108	S700RB	0.41	2.0inch	63mm	336lpm	20.16m <sup>3</sup> /h	215
88011109	S800R	0.53	2.0inch	63mm	435lpm	24.10m <sup>3</sup> /h	355
88011110	S900R	0.66	2.0inch	63mm	550lpm	33.00m <sup>3</sup> /h	470

Note: Suggested sand weight varies with differences in filter media size. For reference only.

## Product Dimension

Model No	A mm	B mm	C mm	D mm	E mm	F mm	G mm
S450R	250	760	498	435	455	390	180
S500R	290	825	513	450	535	500	180
S650R	310	890	568	505	635	500	180
S700R	320	920	573	510	723	500	180
S700RB	350	920	611	525	723	500	220
S800R	380	1020	696	610	820	780	220
S900R	410	1130	741	655	920	780	220

Gelcoat filter tank has been well-received by the industry due to the durability, trustworthy performance and smooth gelcoat fibreglass finish. With UV-resistant material used, it is able to operate under prolong sunlight for years of reliability. "SMG" Series side mount filters are equipped with a six-position, side mount multiport valve and ABS laterals.

## Features

1. Non corrosive gel coat fibreglass tank
2. Smooth finish
3. Curved valve connecting elbow to reduce headloss
4. Transparent lid provides clear view of filter media
5. Air release valve
6. 6 way multiport side mount valve



## Technical Information

Code	Model No	Filter Area(m <sup>2</sup> )	Valve Connections		Max Flow Rate		Sand(kg)
88014004	SMG500	0.20	1.5inch	50mm	167lpm	10.00m <sup>3</sup> /h	100
88014005	SMG650	0.33	1.5inch	50mm	275lpm	16.50m <sup>3</sup> /h	150
88014063	SMG750	0.44	2.0inch	63mm	369lpm	22.10m <sup>3</sup> /h	250
88014064	SMG900	0.64	2.0inch	63mm	531lpm	31.80m <sup>3</sup> /h	375

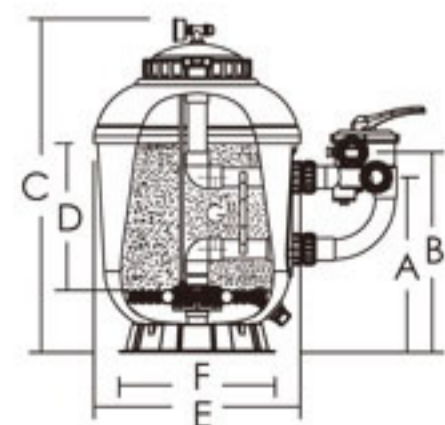
Note: Suggested sand weight varies with differences in filter media size. For reference only.

## Product Dimension

Model No	A mm	B mm	C mm	D mm	E mm	F mm	G mm
SMG500	438	501	835	360	516	390	180
SMG650	453	516	926	380	666	390	180
SMG750	517	603	1023	440	770	500	220
SMG900	570	656	1163	480	920	780	220

## Highlight Features:

- Suggested Installation:  
Domestic In-ground and above ground pool / hot spa tub
- Max operating pressure 36 psi / 2.5 bar
- Max temperature of 43°C (109°F)
- Universal standard of union connection provided
- Suggested size of media : 0.5-0.8mm
- ABS lateral provided



# SDB SERIES SIDE MOUNT DEEP BED FILTER

"SDB" Series Side Mount Deep Bed Filter offers a more thorough filtration with the standard of either 1.0m or 1.2m depth sand bed which is suitable for high filtration performance of domestic swimming pool.



Lateral System



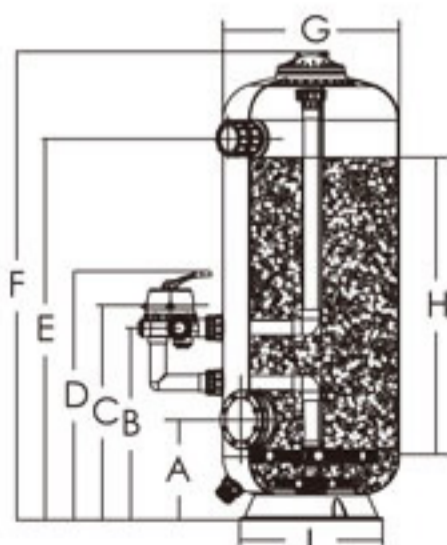
Manhole



Sightglass

## Highlight Features:

- Non-corrosive fiberglass and resin
- UV resistance, suitable for operation under prolong sunlight
- Max operating pressure 36 psi / 2.5 bar
- Max temperature of 43°C (109°F)
- Maximum filtration velocity: 50m<sup>3</sup>/h/m<sup>2</sup>
- Suggested size of media : 0.5-0.8mm sand
- Dual layers of laterals
- Ø4" Sight glass
- Ø158mm manhole for servicing
- Ø2" bottom drain



## Technical Information

Code	Model No	Filter Area(m <sup>2</sup> )	Valve Connections		Max Flow Rate		Sand(kg)
88013835	SDB700-1.0	0.38	2.0inch	63mm	253lpm	15.20m <sup>3</sup> /h	580
88013836	SDB700-1.2	0.38	2.0inch	63mm	253lpm	15.20m <sup>3</sup> /h	696
88013837	SDB800-1.0	0.50	2.0inch	63mm	333lpm	20.00m <sup>3</sup> /h	769
88013838	SDB800-1.2	0.50	2.0inch	63mm	333lpm	20.00m <sup>3</sup> /h	914
88013839	SDB900-1.0	0.63	2.0inch	63mm	420lpm	25.2m <sup>3</sup> /h	957
88013840	SDB900-1.2	0.63	2.0inch	63mm	420lpm	25.2m <sup>3</sup> /h	1146
88013853	SDB900(C)-1.0	0.63	2.5 inch	75mm	525lpm	25.2m <sup>3</sup> /h	957
88013854	SDB900(C)-1.2	0.63	2.5 inch	75mm	525lpm	25.2m <sup>3</sup> /h	1146
88013841	SDB1000-1.0	0.78	2.0inch	63mm	520lpm	31.20m <sup>3</sup> /h	1204
88013842	SDB1000-1.2	0.78	2.0inch	63mm	520lpm	31.20m <sup>3</sup> /h	1436
88013855	SDB1000(C)-1.0	0.78	2.5 inch	75mm	650lpm	31.20m <sup>3</sup> /h	1204
88013856	SDB1000(C)-1.2	0.78	2.5 inch	75mm	650lpm	31.20m <sup>3</sup> /h	1436

Note: Suggested sand weight varies with differences in filter media size. For reference only.

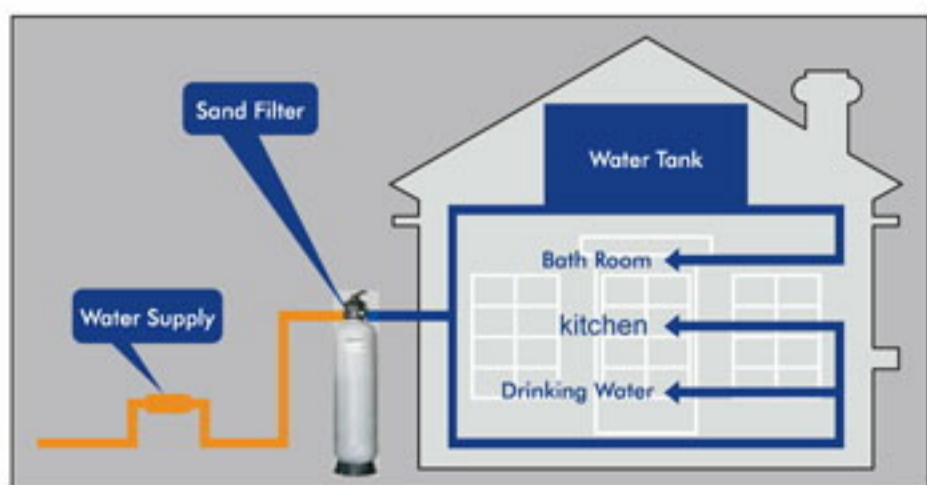
## Product Dimension

Model No	A mm	B mm	C mm	D mm	E mm	F mm	G mm	H mm	I mm
SDB700-1.0	510	750	844	987	1270	1672	700	1000	680
SDB700-1.2	510	750	844	987	1470	1872	700	1200	680
SDB800-1.0	510	750	838	981	1270	1702	800	1000	740
SDB800-1.2	510	750	838	981	1470	1902	800	1200	740
SDB900-1.0	515	870	857	1000	1270	1735	900	1000	860
SDB900-1.2	515	870	857	1000	1470	1935	900	1200	860
SDB900(C)-1.0	515	834	931	1083	1270	1735	900	1000	860
SDB900(C)-1.2	515	834	931	1083	1470	1935	900	1200	860
SDB1000-1.0	515	870	971	1114	1270	1813	1000	1000	960
SDB1000-1.2	515	870	971	1199	1470	2013	1000	1200	960
SDB1000(C)-1.0	515	1033	1045	1282	1270	1813	1000	1000	960
SDB1000(C)-1.2	515	1033	1045	1282	1470	2013	1000	1200	960

# HD SERIES DEEP BED FILTER

Deep Bed Filter is designed for filtering incoming water supply of domestic and light commercial usage. Undesired particles like rust, sand, dirt and other impurities found in water are trapped by the filter bed, offering crystal clear filtered water for domestic and light commercial usage.

## Brief System Design



## Technical Information

Code	Model No	Filter Area(m <sup>2</sup> )	Valve Connections		Max Flow Rate		Sand(kg)
88012720	HD13300	0.07	1inch	33mm	58.5lpm	3.51m <sup>3</sup> /h	75
88012721	HD13350	0.10	1inch	33mm	68.3lpm	4.10m <sup>3</sup> /h	98
88012722	HD13400	0.13	1inch	33mm	78.0lpm	4.68m <sup>3</sup> /h	130
88012723	HD15300	0.07	1inch	33mm	53.3lpm	3.21m <sup>3</sup> /h	86
88012724	HD15350	0.10	1inch	33mm	62.5lpm	3.75m <sup>3</sup> /h	118
88012725	HD15400	0.13	1inch	33mm	71.5lpm	4.29m <sup>3</sup> /h	154

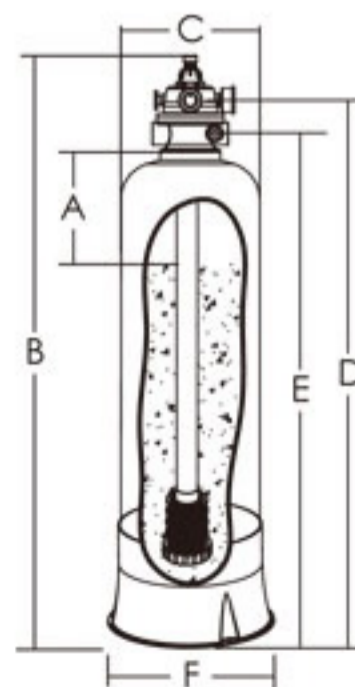
Note: Suggested sand weight varies with differences in filter media size. For reference only.

## Product Dimension

Model No	A mm	B mm	C mm	D mm	E mm	F mm
HD13300	400	1300	306	1204	1130	343
HD13350	400	1300	356	1204	1130	390
HD13400	400	1300	406	1204	1130	450
HD15300	500	1500	306	1404	1330	343
HD15350	500	1500	356	1404	1330	390
HD15400	500	1500	406	1404	1330	450

## Highlight Features:

- Suggested Installation:  
Domestic home and light commercial filtration
- Slim Design and easy installation
- Simple operation
- Ultra long life and durable
- Max operating pressure 100 psi / 7.0 bar
- Max temperature of 50°C (122°F)
- Suggested size of media : 0.5-0.8mm



# NL SERIES COMMERCIAL FILTER



"NL" Series Commercial Sand Filter satisfies the demand of different water treatment including pools installed within-floor cleaning systems, spa, fountains and public swimming pool.

## Filtration System Options



Laterals System



Nozzles System

## Highlight Features:

- Non-corrosive fiberglass and resin
- UV resistance, suitable for operation under prolong sunlight
- Max operating pressure 36 psi (2.5bar) / 56 psi(4.0bar)
- Max temperature of 43°C (109°F)
- Maximum filtration velocity; 50m<sup>3</sup>/h/m<sup>2</sup>
- Suggested size of media : 0.5-0.8mm sand and 1-2mm gravel

Optional accessories:

- Filtration system: Laterals / Nozzles
- Others: Sight glass / Manhole / 33mm union drain / Air purge

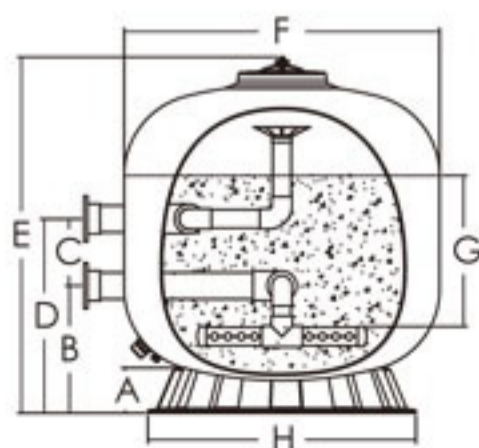
## With Laterals System

Code 2.5bar	Code 4.0bar	Model No	Filter Area(m <sup>2</sup> )	Valve Connections		Max Flow Rate		Sand(kg) 0.5-0.8mm	Gravel(kg) 1-2mm
88012813	88013213	NL1200	1.11	3.0inch	90mm	920lpm	55.20m <sup>3</sup> /h	900	300
88012814	88013214	NL1400	1.54	4.0inch	110mm	1280lpm	76.80m <sup>3</sup> /h	1350	450
88012815	88013215	NL1600	2.06	4.0inch	110mm	1700lpm	102.0m <sup>3</sup> /h	2300	700
88012816	88013216	NL1800	2.52	6.0inch	160mm	2080lpm	124.8m <sup>3</sup> /h	2900	900
88012817	88013217	NL2000	2.97	6.0inch	160mm	2450lpm	147.0m <sup>3</sup> /h	4000	1100
88012818	88013218	NL2300	4.43	8.0inch	200mm	3650lpm	219.0m <sup>3</sup> /h	6000	1600
88012819	88013219	NL2500	4.89	8.0inch	200mm	4000lpm	240.0m <sup>3</sup> /h	6700	1800

## With Nozzles System

Code 2.5bar	Code 4.0bar	Model No	Filter Area(m <sup>2</sup> )	Valve Connections		Max Flow Rate		Sand(kg) 0.5-0.8mm	Gravel(kg) 1-2mm
88013313	88013413	NL1200	1.11	3.0inch	90mm	920lpm	55.20m <sup>3</sup> /h	900	300
88013314	88013414	NL1400	1.54	4.0inch	110mm	1280lpm	76.80m <sup>3</sup> /h	1350	450
88013315	88013415	NL1600	2.06	4.0inch	110mm	1700lpm	102.0m <sup>3</sup> /h	2300	700
88013316	88013416	NL1800	2.52	6.0inch	160mm	2080lpm	124.8m <sup>3</sup> /h	2900	900
88013317	88013417	NL2000	2.97	6.0inch	160mm	2450lpm	147.0m <sup>3</sup> /h	4000	1100
88013318	88013418	NL2300	4.43	8.0inch	200mm	3650lpm	219.0m <sup>3</sup> /h	6000	1600
88013319	88013419	NL2500	4.89	8.0inch	200mm	4000lpm	240.0m <sup>3</sup> /h	6700	1800

Note: Suggested sand weight varies with differences in filter media size. For reference only.



## Product Dimension

Model No	A mm	B mm	C mm	D mm	E mm	F mm	G mm	H mm
NL1200	170	565	350	915	1410	1190	700	1000
NL1400	190	565	350	915	1570	1400	760	1220
NL1600	200	650	350	1000	1740	1620	910	1365
NL1800	220	690	415	1105	2040	1790	990	1630
NL2000	220	770	415	1185	2210	1945	1040	1630
NL2300	230	950	550	1500	2510	2375	1260	1800
NL2500	230	1050	550	1600	2670	2495	1390	1800

# K SERIES COMMERCIAL FILTER

"K" Series Commercial Sand Filter offers higher filtration standard with 1.2m depth sand bed which is applicable for swimming pool of competition purposes, water treatment plant and aquarium.

## Filtration System Options



Laterals System



Nozzles System

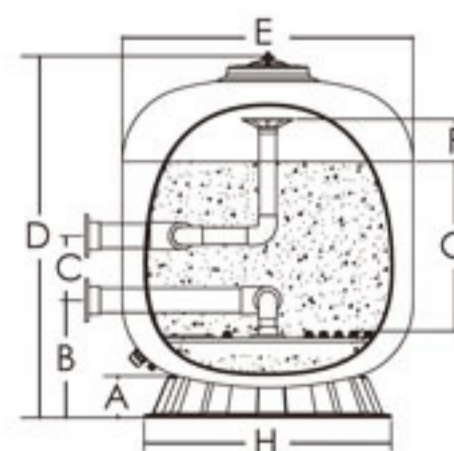


## Highlight Features:

- Non-corrosive fiberglass and resin
- UV resistance, suitable for operation under prolong sunlight
- Max operating pressure 36 psi (2.5bar) / 56 psi(4.0bar)
- Max temperature of 43°C (109°F)
- Maximum filtration velocity: 50m<sup>3</sup>/h/m<sup>2</sup>
- Suggested size of media : 0.5-0.8mm sand and 1-2mm gravel

### Optional accessories:

- Filtration system: Laterals / Nozzles
- Others: Sight glass / Manhole / 33mm union drain / Air purge



114mm Sightglass



20mm Air Purge



Dia. 470mm Manhole



33mm Union Drain

## With Laterals System

Code 2.5bar	Code 4.0bar	Model No	Filter Area(m <sup>2</sup> )	Valve Connections		Max Flow Rate		Sand(kg) 0.5-0.8mm	Gravel(kg) 1-2mm
88011513	88013513	K1200	1.13	3.0inch	90mm	750.0lpm	45m <sup>3</sup> /h	1500	300
88011514	88013514	K1400	1.54	4.0inch	110mm	1016.6lpm	61m <sup>3</sup> /h	2250	450
88011515	88013515	K1600	2.01	4.0inch	110mm	1333.3lpm	80m <sup>3</sup> /h	2900	700
88011516	88013516	K1800	2.54	6.0inch	160mm	1693.3lpm	101m <sup>3</sup> /h	3200	900
88011517	88013517	K2000	3.14	6.0inch	160mm	2083.3lpm	125m <sup>3</sup> /h	4300	1100
88011518	88013518	K2300	4.43	8.0inch	200mm	2196.6lpm	175m <sup>3</sup> /h	7600	1600
88011519	88013519	K2500	4.9	8.0inch	200mm	3333.3lpm	200m <sup>3</sup> /h	8600	1800

## With Nozzles System

Code 2.5bar	Code 4.0bar	Model No	Filter Area(m <sup>2</sup> )	Valve Connections		Max Flow Rate		Sand(kg) 0.5-0.8mm	Gravel(kg) 1-2mm
88012913	88013613	K1200	1.13	3.0inch	90mm	750.0lpm	45m <sup>3</sup> /h	1500	300
88012914	88013614	K1400	1.54	4.0inch	110mm	1016.6lpm	61m <sup>3</sup> /h	2250	450
88012915	88013615	K1600	2.01	4.0inch	110mm	1333.3lpm	80m <sup>3</sup> /h	2900	700
88012916	88013616	K1800	2.54	6.0inch	160mm	1693.3lpm	101m <sup>3</sup> /h	3200	900
88012917	88013617	K2000	3.14	6.0inch	160mm	2083.3lpm	125m <sup>3</sup> /h	4300	1100
88012918	88013618	K2300	4.43	8.0inch	200mm	2196.6lpm	175m <sup>3</sup> /h	7600	1600
88012919	88013619	K2500	4.9	8.0inch	200mm	3333.3lpm	200m <sup>3</sup> /h	8600	1800

Note: Suggested sand weight varies with differences in filter media size. For reference only.

## Product Dimension

Model No	A mm	B mm	C mm	D mm	E mm	F mm	G mm	H mm
K1200	170	565	350	2080	1200	350	1240	995
K1400	190	565	350	2175	1400	350	1270	1220
K1600	200	650	350	2310	1600	400	1310	1365
K1800	220	690	415	2320	1800	400	1410	1630
K2000	220	770	415	2460	2000	400	1470	1630
K2300	230	950	550	2720	2350	500	1600	1800
K2500	230	1050	550	2750	2500	500	1650	1800

## Option Components for Commercial Filter Series

	Code
114mm Sightglass	89012842
20mm Air Purge	89012841
Dia.470mm Manhole	89012843
33mm Union Drain	89012844

# H SERIES COMMERCIAL FILTER

## Highlight Features:

- Non-corrosive fiberglass and resin
- UV resistance, suitable for operation under prolong sunlight
- Max operating pressure 36 psi (2.5bar) / 56 psi(4.0bar)
- Max temperature of 43°C (109 °F)
- Maximum filtration velocity: 50m<sup>3</sup>/h/m<sup>2</sup>
- Suggested size of media : 0.5-0.8mm sand and 1-2mm gravel

"H" Series bobbin wound commercial filter is suitable for high demand in filtration surface area especially for commercial purpose with long life and minimal servicing. Suitable for large scale water features, aquarium and commercial pool.



1.9m-3.0m



3.5m Upwards

## Technical Information

1. Service manhole for easy maintenance.
2. Inner filtration system with evenly spread laterals enhance filtration performance.
3. Equipped with manometer for easy inspection of the working pressure of both inlet and outlet.

(Diameter: 1200mm / Sand bed depth: 0.6m)

Model No	Connection (Ø)		Code (2.5Bar)	Code (4Bar)	Max. Flow Rate m <sup>3</sup> /h	Velocity m <sup>3</sup> /h/m <sup>2</sup>	Filtration Area (m <sup>2</sup> )	Gravel 1-1.2mm (kg)	Sand 0.4-0.8mm (kg)
Diameter (ØD) 1200 mm - Height of sand bed 0.6m									
H1200 -1.9	4"	110mm	88350102	88350107	39	20	1.96	425	1100
	6"	160mm	88350103	88350108	79	40			
H1200 -2.3	4"	110mm	88350202	88350207	48	20	2.42	550	1425
	6"	160mm	88350203	88350208	97	40			
H1200 -2.5	4"	110mm	88350302	88350307	53	20	2.65	700	1750
	6"	160mm	88350303	88350308	107	40			
H1200 -2.7	4"	110mm	88350402	88350407	57	20	2.87	825	2075
	6"	160mm	88350403	88350408	115	40			
H1200 -3.0	4"	110mm	88350502	88350507	64	20	3.21	925	2325
	6"	160mm	88350503	88350508	129	40			

(Diameter: 1400mm / Sand bed depth: 0.8m)

Model No	Connection (Ø)		Code (2.5Bar)	Code (4Bar)	Max. Flow Rate m <sup>3</sup> /h	Velocity m <sup>3</sup> /h/m <sup>2</sup>	Filtration Area (m <sup>2</sup> )	Gravel 1-1.2mm (kg)	Sand 0.4-0.8mm (kg)
Diameter (ØD) 1400 mm - Height of sand bed 0.8m									
H1400-1.9	4"	110mm	88350602	88350607	45	20	2.23	575	2100
	6"	160mm	88350603	88350608	89	40			
H1400-2.5	4"	110mm	88350702	88350707	60	20	3.02	800	2825
	6"	160mm	88350703	88350708	121	40			
H1400-3.0	4"	110mm	88350802	88350807	73	20	3.67	1000	3450
	6"	160mm	88350803	88350808	110	30			
	8"	200mm	88350804	88350809	147	40			

Note: Suggested sand weight varies with differences in filter media size. For reference only.



# H SERIES COMMERCIAL FILTER

(Diameter: 1600mm / Sand bed depth: 1.0m)

Model No	Connection (Ø)		Code (2.5Bar)	Code (4Bar)	Max. Flow Rate m <sup>3</sup> /h	Velocity m <sup>3</sup> /h/m <sup>2</sup>	Filtration Area (m <sup>2</sup> )	Gravel 1-1.2mm (kg)	Sand 0.4-0.8mm (kg)
Diameter (ØD) 1600 mm - Height of sandbed 1.0m									
H1600-1.9	4"	110mm	88350902	88350907	49	20	2.47	600	2850
	6"	160mm	88350903	88350908	99	40			
H1600-2.5	6"	160mm	88351003	88351008	101	30	3.36	850	3875
	8"	200mm	88351004	88351009	134	40			
H1600-3.0	6"	160mm	88351103	88351108	123	30	4.1	1050	4750
	8"	200mm	88351104	88351109	164	40			

(Diameter: 1800mm / Sand bed depth: 1.0m)

Model No	Connection (Ø)		Code (2.5Bar)	Code (4Bar)	Max. Flow Rate m <sup>3</sup> /h	Velocity m <sup>3</sup> /h/m <sup>2</sup>	Filtration Area (m <sup>2</sup> )	Gravel 1-1.2mm (kg)	Sand 0.4-0.8mm (kg)
Diameter (ØD) 1800 mm - Height of sand bed 1.0m									
H1800-2.5	6"	160mm	88351203	88351208	112	30	3.74	975	4850
	8"	200mm	88351204	88351209	150	40			
H1800-3.0	6"	160mm	88351303	88351308	137	30	4.58	1225	5925
	8"	200mm	88351304	88351309	183	40			
H1800-3.5	8"	200mm	88351404	88351409	162	30	5.41	1475	7000
	10"	250mm	88351405	88351410	216	40			
H1800-4.0	6"	160mm	88351503	88351508	125	20	6.25	1700	8075
	8"	200mm	88351504	88351509	187	30			
	10"	250mm	88351505	88351510	250	40			

(Diameter: 2000mm / Sand bed depth: 1.2m)

Model No	Connection (Ø)		Code (2.5Bar)	Code (4Bar)	Max. Flow Rate m <sup>3</sup> /h	Velocity m <sup>3</sup> /h/m <sup>2</sup>	Filtration Area (m <sup>2</sup> )	Gravel 1-1.2mm (kg)	Sand 0.4-0.8mm (kg)
Diameter (ØD) 2000 mm - Height of sand bed 1.2m									
H2000-2.5	6"	160mm	88351603	88351608	130	30	4.34	1050	6575
	8"	200mm	88351604	88351609	174	40			
H2000-3.0	6"	160mm	88351703	88351708	159	30	5.3	1300	8025
	8"	200mm	88351704	88351709	212	40			
H2000-3.5	6"	160mm	88351803	88351808	125	20	6.25	1550	9475
	8"	200mm	88351804	88351809	187	30			
	10"	250mm	88351805	88351810	250	40			
H2000-4.0	6"	160mm	88351903	88351908	144	20	7.21	1800	10925
	8"	200mm	88351904	88351909	216	30			
	10"	250mm	88351905	88351910	288	40			
H2000-4.5	8"	200mm	88352004	88352009	163	20	8.16	2075	12375
	10"	250mm	88352005	88352010	326	40			

## Product Focus



Sightglass



Lateral System



Union Drain



Air Vent Valve

# H SERIES COMMERCIAL FILTER

(Diameter: 2350mm / Sand bed depth: 1.2m)

Model No	Connection (Ø)	Code (2.5Bar)	Code (4Bar)	Max. Flow Rate m <sup>3</sup> /h	Velocity m <sup>3</sup> /h/m <sup>2</sup>	Filtration Area (m <sup>2</sup> )	Gravel 1-1.2mm (kg)	Sand 0.4-0.8mm (kg)
Diameter (ØD) 2350 mm - Height of sand bed 1.2m								
H2350-3.0	6" 160mm	88352103	88352108	119	20	5.94	2575	9300
	8" 200mm	88352104	88352109	178	30			
	10" 250mm	88352105	88352110	238	40			
H2350-3.5	6" 160mm	88352203	88352208	141	20	7.06	3125	11050
	8" 200mm	88352204	88352209	212	30			
	10" 250mm	88352205	88352210	282	40			
H2350-4.0	8" 200mm	88352304	88352309	163	20	8.17	3650	12800
	10" 250mm	88352305	88352310	327	40			
H2350-4.5	8" 200mm	88352404	88352409	186	20	9.28	4200	14525
	10" 250mm	88352405	88352410	371	40			
H2350-5.0	8" 200mm	88352504	88352509	208	20	10.4	4750	16250
	10" 250mm	88352505	88352510	312	30			
	12" 315mm	88352511	88352512	416	40			

(Diameter: 2500mm / Sand bed depth: 1.3m)

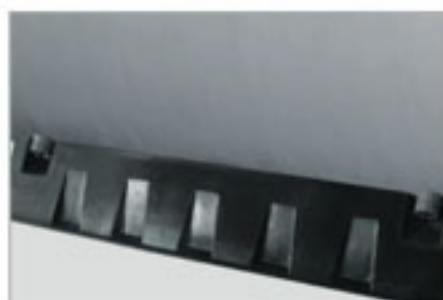
Model No	Connection (Ø)	Code (2.5Bar)	Code (4Bar)	Max. Flow Rate m <sup>3</sup> /h	Velocity m <sup>3</sup> /h/m <sup>2</sup>	Filtration Area (m <sup>2</sup> )	Gravel 1-1.2mm (kg)	Sand 0.4-0.8mm (kg)
Diameter (ØD) 2500 mm - Height of sand bed 1.3m								
H2500-3.5	6" 160mm	88352603	88352608	149	20	7.34	3175	11675
	8" 200mm	88352604	88352609	223	30			
	10" 250mm	88352605	88352610	297	40			
H2500-4.0	8" 200mm	88352704	88352709	172	20	8.62	3725	13500
	10" 250mm	88352705	88352710	345	40			
H2500-4.5	8" 200mm	88352804	88352809	196	20	9.8	4300	15350
	10" 250mm	88352805	88352810	294	30			
	12" 315mm	88352811	88352812	392	40			
H2500-5.0	8" 200mm	88352904	88352909	220	20	10.98	4850	17200
	10" 250mm	88352905	88352910	329	30			
	12" 315mm	88352911	88352912	439	40			

(Diameter: 3000mm / Sand bed depth: 1.5m)

Model No	Connection (Ø)	Code (2.5Bar)	Code (4Bar)	Max. Flow Rate m <sup>3</sup> /h	Velocity m <sup>3</sup> /h/m <sup>2</sup>	Filtration Area (m <sup>2</sup> )	Gravel 1-1.2mm (kg)	Sand 0.4-0.8mm (kg)
Diameter (ØD) 3000 mm - Height of sand bed 1.5m								
H3000-3.5	8" 200mm	88353004	88353009	180	20	8.98	4525	17850
	10" 250mm	88353005	88353010	270	30			
	12" 315mm	88353011	88353012	360	40			
H3000-4.0	8" 200mm	88353104	88353109	208	20	10.4	5300	20675
	10" 250mm	88353105	88353110	312	30			
	12" 315mm	88353111	88353112	416	40			
H3000-4.5	8" 200mm	88353204	88353209	236	20	11.82	6100	23500
	10" 250mm	88353205	88353210	355	30			
	12" 315mm	88353211	88353212	473	40			
H3000-5.0	8" 200mm	88353304	88353309	265	20	13.24	6875	26300
	10" 250mm	88353305	88353310	397	30			
	12" 315mm	88353311	88353312	530	40			

Note: Suggested sand weight varies with differences in filter media size. For reference only.

## Product Focus



Base



Manometer



Manhole



Flange

# H SERIES COMMERCIAL FILTER

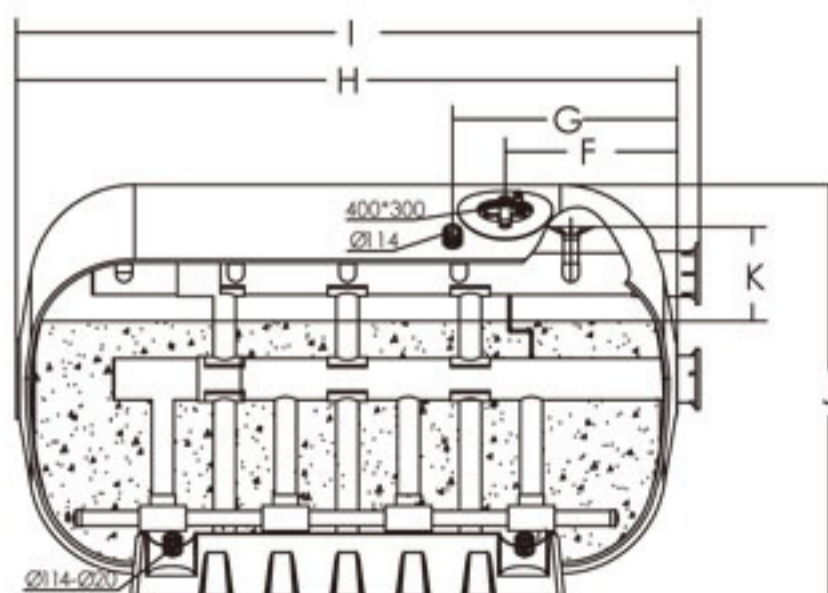
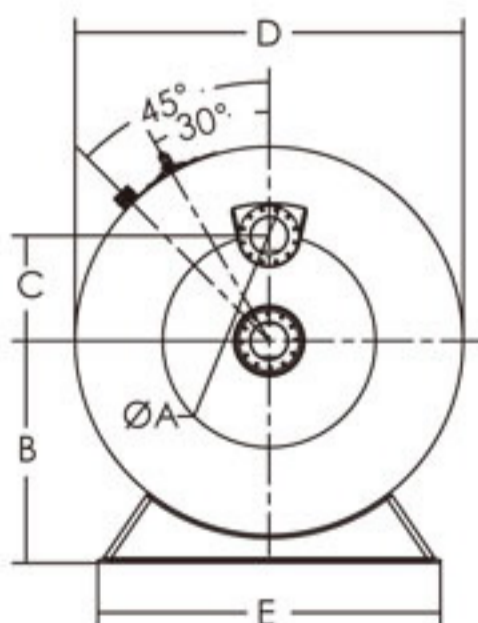
## Product Dimension

(Diameter: 1200mm / Sand bed depth: 0.6m)

Model No	Connection (Ø)		Dimension (mm)									
			B	C	D	E	F	G	H	I	J	K
Diameter (ØD) 1200 mm - Height of sand bed 0.6m												
H1200 -1.9	4"	110mm	727	415	1200	900	700	950	1900	2060	1490	290
	6"	160mm								2136		
H1200 -2.3	4"	110mm	727	415	1200	900	700	950	2300	2460	1490	290
	6"	160mm								2536		
H1200 -2.5	4"	110mm	727	415	1200	900	700	950	2500	2660	1490	290
	6"	160mm								2736		
H1200 -2.7	4"	110mm	727	415	1200	900	700	950	2700	2860	1490	290
	6"	160mm								2936		
H1200 -3.0	4"	110mm	727	415	1200	900	700	950	3000	3160	1490	290
	6"	160mm								3236		

(Diameter: 1400mm / Sand bed depth: 0.8m)

Model No	Connection (Ø)		Dimension (mm)									
			B	C	D	E	F	G	H	I	J	K
Diameter (ØD) 1400 mm - Height of sand bed 0.8m												
H1400-1.9	4"	110mm	839	415	1400	1080	700	950	1900	2060	1700	320
	6"	160mm								2136		
H1400-2.5	4"	110mm	839	415	1400	1080	700	950	2500	2660	1700	320
	6"	160mm								2736		
H1400-3.0	4"	110mm	839	415	1400	1080	700	950	3000	3160	1700	320
	6"	160mm								3236		
	8"	200mm								3290		



# H SERIES COMMERCIAL FILTER

(Diameter: 1600mm / Sand bed depth: 1.0m)

Model No	Connection (Ø)	Dimension (mm)									
		B	C	D	E	F	G	H	I	J	K
Diameter (ØD) 1600 mm - Height of sandbed 1.0m											
H1600-1.9	4" 110mm	950	415	1600	1230	700	950	1900	2060	1915	400
	6" 160mm								2136		
H1600-2.5	6" 160mm	950	415	1600	1230	700	950	2500	2736	1915	400
	8" 200mm								2790		
H1600-3.0	6" 160mm	950	550	1600	1230	700	950	3000	3236	1915	400
	8" 200mm								3290		

(Diameter: 1800mm / Sand bed depth: 1.0m)

Model No	Connection (Ø)	Dimension (mm)									
		B	C	D	E	F	G	H	I	J	K
Diameter (ØD) 1800 mm - Height of sand bed 1.0m											
H1800-2.5	6" 160mm	1047	550	1800	1380	700	950	2500	2736	2095	465
	8" 200mm								2790		
H1800-3.0	6" 160mm	1047	550	1800	1380	700	950	3000	3236	2095	465
	8" 200mm								3290		
H1800-3.5	8" 200mm	1047	550	1800	1380	950	1500	3500	3790	2095	465
	10" 250mm								3820		
H1800-4.0	6" 160mm	1047	550	1800	1380	950	1500	4000	4236	2095	465
	8" 200mm								4290		
	10" 250mm								4320		

(Diameter: 2000mm / Sand bed depth: 1.2m)

Model No	Connection (Ø)	Dimension (mm)									
		B	C	D	E	F	G	H	I	J	K
Diameter (ØD) 2000 mm - Height of sand bed 1.2m											
H2000-2.5	6" 160mm	1162	550	2000	1470	700	950	2500	2736	2325	610
	8" 200mm								2790		
H2000-3.0	6" 160mm	1162	550	2000	1470	700	950	3000	3236	2325	610
	8" 200mm								3290		
H2000-3.5	6" 160mm	1162	550	2000	1470	950	1500	3500	3736	2325	610
	8" 200mm								3790		
	10" 250mm								3820		
H2000-4.0	6" 160mm	1162	550	2000	1470	950	1500	4000	4236	2325	610
	8" 200mm								4290		
	10" 250mm								4320		
H2000-4.5	8" 200mm	1162	550	2000	1470	950	1500	4500	4790	2325	610
	10" 250mm								4820		

## Product Focus



(Diameter: 2350mm / Sand bed depth: 1.2m)

Model No	Connection (Ø)	Dimension (mm)										
		B	C	D	E	F	G	H	I	J	K	
Diameter (ØD) 2350 mm - Height of sand bed 1.2m												
H2350-3.0	6" 160mm										3236	
	8" 200mm	1325	710	2350	1740	700	950	3000		3290	2665	640
	10" 250mm									3320		
H2350-3.5	6" 160mm										3736	
	8" 200mm	1325	710	2350	1740	950	1500	3500		3790	2665	640
	10" 250mm									3820		
H2350-4.0	8" 200mm	1325	710	2350	1740	950	1500	4000		4290	2665	640
	10" 250mm									4320		
H2350-4.5	8" 200mm	1325	710	2350	1740	950	1500	4500		4790	2665	640
	10" 250mm									4820		
H2350-5.0	8" 200mm										5290	
	10" 250mm	1325	710	2350	1740	950	1500	5000		5320	2665	640
	12" 315mm									5350		

(Diameter: 2500mm / Sand bed depth: 1.3m)

Model No	Connection (Ø)	Dimension (mm)										
		B	C	D	E	F	G	H	I	J	K	
Diameter (ØD) 2500 mm - Height of sand bed 1.3m												
H2500-3.5	6" 160mm										3736	
	8" 200mm	1425	710	2500	1850	950	1500	3500		3790	2840	690
	10" 250mm									3820		
H2500-4.0	8" 200mm	1425	710	2500	1850	950	1500	4000		4290	2840	690
	10" 250mm									4320		
H2500-4.5	8" 200mm										4790	
	10" 250mm	1425	710	2500	1850	950	1500	4500		4820	2840	690
	12" 315mm									4850		
H2500-5.0	8" 200mm										5290	
	10" 250mm	1425	710	2500	1850	950	1500	5000		5320	2840	690
	12" 315mm									5350		

(Diameter: 3000mm / Sand bed depth: 1.5m)

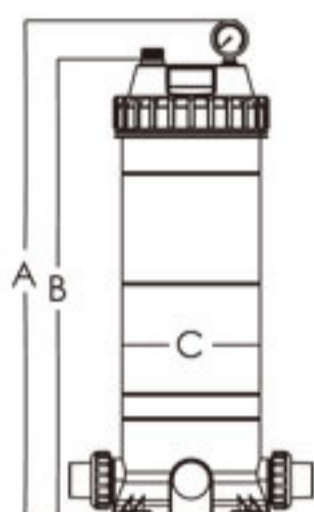
Model No	Connection (Ø)	Dimension (mm)										
		B	C	D	E	F	G	H	I	J	K	
Diameter (ØD) 3000 mm - Height of sand bed 1.5m												
H3000-3.5	8" 200mm										3790	
	10" 250mm	1620	710	3000	2200	950	1500	3500		3820	3396	750
	12" 315mm									3850		
H3000-4.0	8" 200mm										4290	
	10" 250mm	1620	710	3000	2200	950	1500	4000		4320	3396	750
	12" 315mm									4350		
H3000-4.5	8" 200mm										4790	
	10" 250mm	1620	710	3000	2200	950	1500	4500		4820	3396	750
	12" 315mm									4850		
H3000-5.0	8" 200mm										5290	
	10" 250mm	1620		3000	2610	950	1500	5000		5320	3396	750
	12" 315mm									5350		

# CF SERIES CARTRIDGE FILTER



### Features

1. Compact and light weight
2. UV resistant tank
3. Heavy duty ring-lock lid allows easy cleaning and replacement of the cartridge element
4. Screw type air bleeder for easy removal of trapped air inside the filter tank
5. High quality oil filled pressure gauge for easy inspection of the operation pressure
6. Application to domestic swimming pool & spa



### Functions

Maximum Working Pressure      250kPa /36psi/2.5bar  
 Maximum Water Temperature    40°C (104°F)

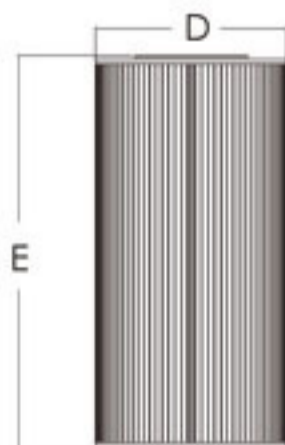
### Technical Information

Code	Model No	Filter Area(m <sup>2</sup> )	Valve Connections		Max Flow Rate		A mm	B mm	C mm
88060101	CF25	2.25	1.5 inch	50mm	92lpm	5.5m <sup>3</sup> /h	445	387	225
88060102	CF50	4.63	1.5 inch	50mm	190lpm	11.4m <sup>3</sup> /h	625	567	225
88060103	CF75	7.00	1.5 inch	50mm	283lpm	17.0m <sup>3</sup> /h	805	747	225
88060104	CF100	9.40	2.0 inch	63mm	382lpm	22.9m <sup>3</sup> /h	985	927	225
88060105	CF150	13.72	2.0 inch	63mm	555lpm	33.4m <sup>3</sup> /h	1165	1107	225
88060106	CF200	16.82	2.0 inch	63mm	680lpm	40.9m <sup>3</sup> /h	1345	1287	225



### Cartridge Filter Element for CF and CFO Series

Code	Model No	D mm	E mm	Micron (μm)
88270101	CF25-CE	Φ183	184.5	≤15
88270102	CF50-CE	Φ183	364.5	≤15
88270103	CF75-CE	Φ183	544.5	≤15
88270104	CF100-CE	Φ183	724.5	≤15
88270105	CF150-CE	Φ183	904.5	≤15
88270106	CF200-CE	Φ183	1091.0	≤15



## Features

1. Compact and light weight
2. UV resistant tank
3. Heavy duty ring-lock lid allows easy cleaning and replacement of the cartridge element
4. Screw type air bleeder for easy removal of trapped air inside the filter tank
5. Stainless Steel AISI 304 Air Vent Pipe
6. High quality oil filled pressure gauge for easy inspection of the operation pressure
7. Application to domestic swimming pool & spa



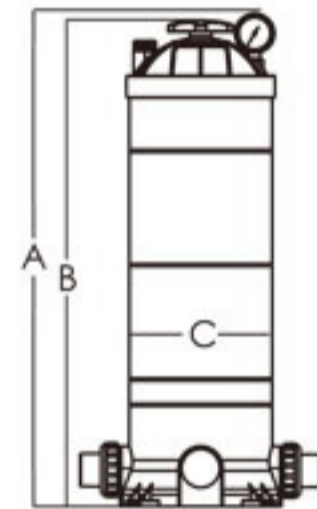
## Functions

Maximum Working Pressure 250kPa /36psi/2.5bar

Maximum Water Temperature 40°C (100°F)

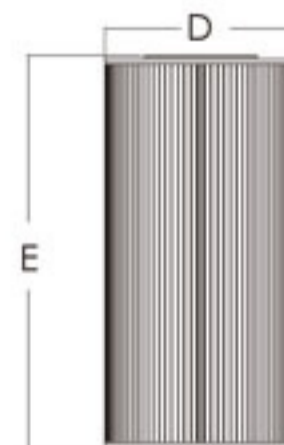
## Technical Information

Code	Model No	Filter Area(m <sup>2</sup> )	Valve Connections		Max Flow Rate		A mm	B mm	C mm
88060201	CFO25	2.25	1.5 inch	50mm	92lpm	5.5m <sup>3</sup> /h	411	400	225
88060202	CFO50	4.63	1.5 inch	50mm	190lpm	11.4m <sup>3</sup> /h	591	580	225
88060203	CFO75	7.00	1.5 inch	50mm	283lpm	17.0m <sup>3</sup> /h	771	760	225
88060204	CFO100	9.40	2.0 inch	63mm	382lpm	22.9m <sup>3</sup> /h	951	940	225
88060205	CFO150	13.72	2.0 inch	63mm	555lpm	33.4m <sup>3</sup> /h	1131	1120	225
88060206	CFO200	16.82	2.0 inch	63mm	680lpm	40.9m <sup>3</sup> /h	1311	1300	225



## Cartridge Filter Element for CF and CFO Series

Code	Model No	D mm	E mm	Micron (μm)
88270101	CF25-CE	Φ183	184.5	≤15
88270102	CF50-CE	Φ183	364.5	≤15
88270103	CF75-CE	Φ183	544.5	≤15
88270104	CF100-CE	Φ183	724.5	≤15
88270105	CF150-CE	Φ183	904.5	≤15
88270106	CF200-CE	Φ183	1091.0	≤15

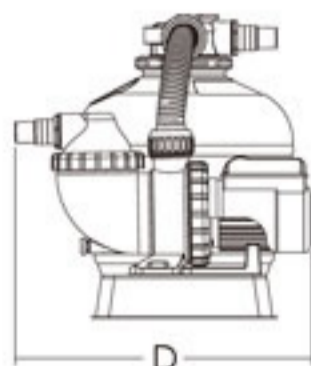
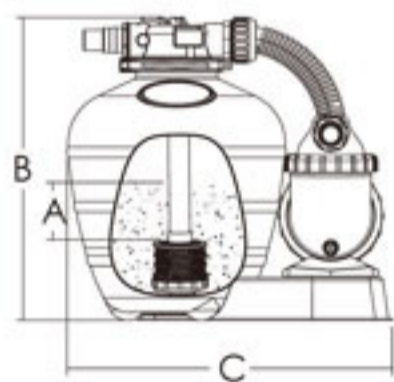


# ULTRA FILTER SYSTEM

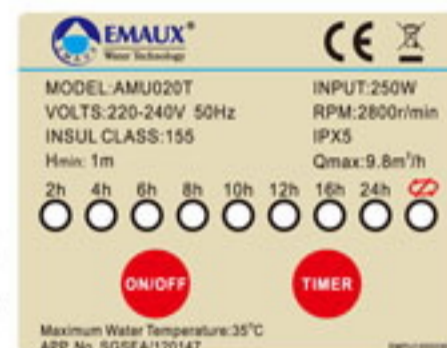
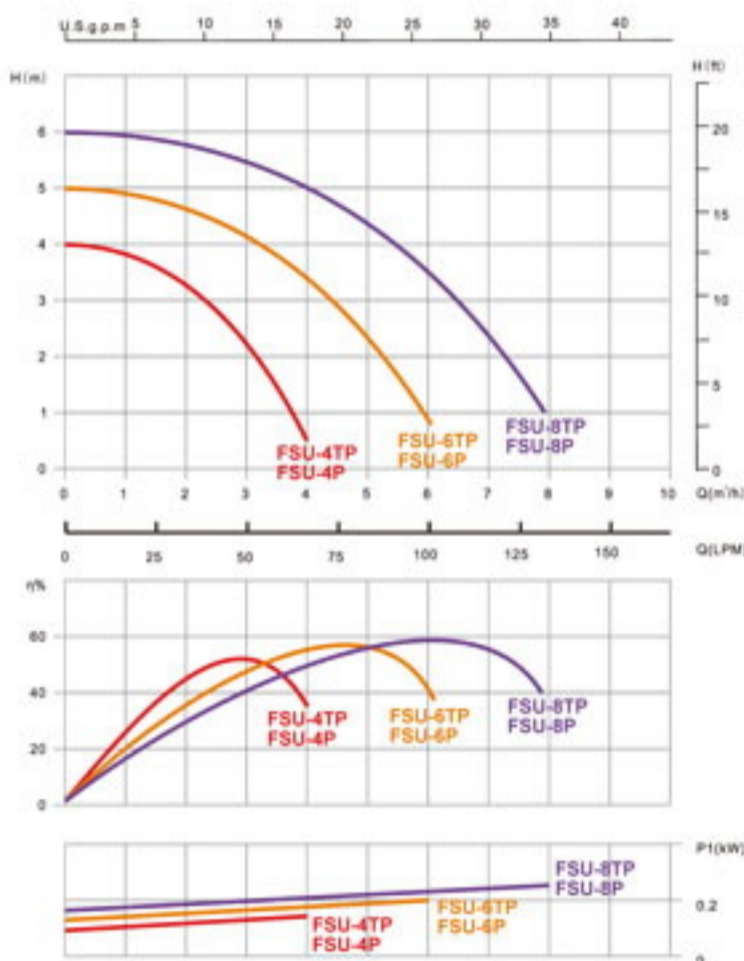


## Highlight Features:

- Suggested Installation: Residential swimming pool
- Easy installation with pre-installed plumbing system and base
- Simple operation with 4-way multiport valve
- Filter structure with UV resistance material
- Max operating pressure 28psi / 2.0 bar
- Max temperature of 40°C (104 °F)
- Suggested size of media : 0.5-0.8mm
- Timer Function(option)



Designed for easy set-up above ground pool, "Ultra" Series filtration combo offers an economical solution with user-friendly operation. The combo includes durable top mount plastic filter tank, 4-way multiport valve and swimming pool pump attached with base. Silica sand is used for filter media instead of paper cartridge element, which offers excellent filtration performance with crystal clear pool water.



Remarks: Flow curve information based on 220V/50Hz motor.

## Technical Information

Code	Model No	Filter	Pump	Max Flow Rate	Sand(kg)
88033661	FSU-4TP	13" FILTER	AMU012TP	66.6lpm	4.00m³/h
88033663	FSU-4P	13" FILTER	AMU012P	66.6lpm	4.00m³/h
88033665	FSU-6TP	13" FILTER	AMU016TP	100.0lpm	6.00m³/h
88033667	FSU-6P	13" FILTER	AMU016P	100.0lpm	6.00m³/h
88033669	FSU-8TP	13" FILTER	AMU020TP	133.3lpm	8.00m³/h
88033671	FSU-8P	13" FILTER	AMU020P	133.3lpm	8.00m³/h

## Product Dimension

Model No	A mm	B mm	C mm	D mm	Filter & Pump In/Out Connections	Adaptor
FSU-4TP	145	460	494	450	1.5 inch 50mm	1 inch 32 & 38mm
FSU-4P	145	460	494	450	1.5 inch 50mm	1 inch 32 & 38mm
FSU-6TP	145	460	494	450	1.5 inch 50mm	1 inch 32 & 38mm
FSU-6P	145	460	494	450	1.5 inch 50mm	1 inch 32 & 38mm
FSU-8TP	145	460	494	450	1.5 inch 50mm	1 inch 32 & 38mm
FSU-8P	145	460	494	450	1.5 inch 50mm	1 inch 32 & 38mm





# COMPACT FILTER SYSTEM

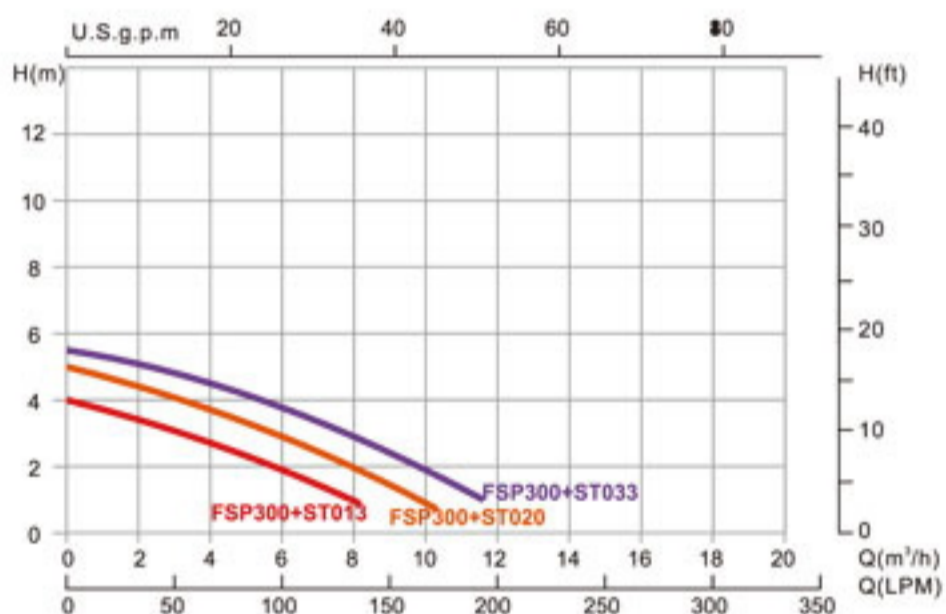
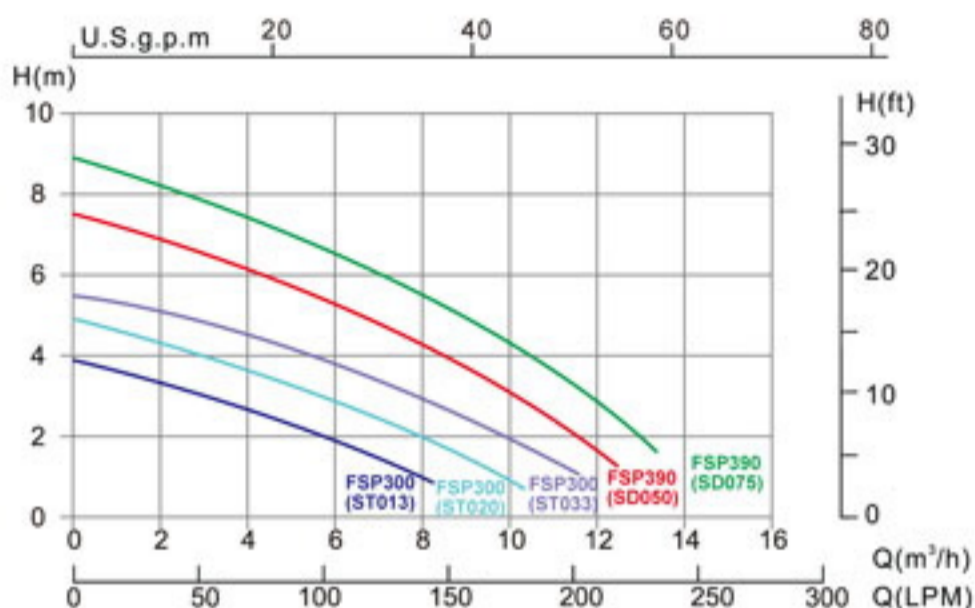
Designed for easy set-up domestic pool, compact Series filtration combo offers the right solution for home user who is looking for user-friendly and excellent filtration performance. Compact Series Filtration Combo includes top mount plastic filter tank, 4 way multiport valve and swimming pool pumps attached with base.



FSP390-4W



FSP300-4W



Remarks: Flow curve information based on 220V/50Hz motor.

## Technical Information

Code	Model No	Filter	Pump	Max Flow Rate	Sand(kg)
88030230	FSP300-4W	P300	ST013	501pm 3.00m³/h	19
88030201	FSP300-4W	P300	ST020	581pm 3.50m³/h	19
88030202	FSP300-4W	P300	ST033	671pm 4.02m³/h	19
88033718	FSP390-4W	P390	SD075	1331pm 8.00m³/h	35

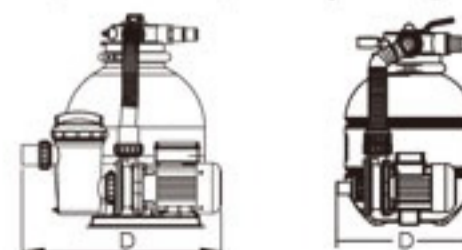
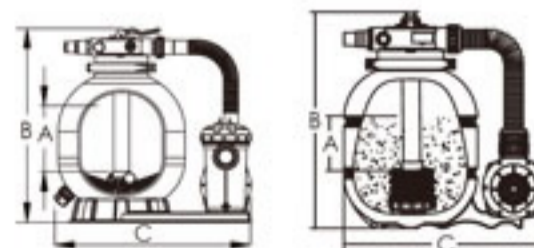
## Product Dimension

Model No	A mm	B mm	C mm	D mm	Filter & Pump In/Out Connections	Adaptor
FSP300-4W	145	540	485	330	1.5inch 50mm 1inch	32&38mm
FSP300-4W	145	540	485	330	1.5inch 50mm 1inch	32&38mm
FSP300-4W	145	540	485	330	1.5inch 50mm 1inch	32&38mm
FSP390-4W	235	724	760	527	1.5inch 50mm 1inch	32&38mm



### Highlight Features:

- Suggested Installation: Domestic swimming pool
- Easy installation with pre-installed plumbing system and base
- Simple operation with 4-way multiport valve
- Filter structure with UV resistance material
- Max operating pressure 28psi / 2.0 bar
- Max temperature of 40°C (104 °F)
- Suggested size of media : 0.5-0.8mm



FSP390-4W

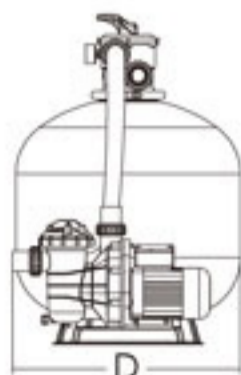
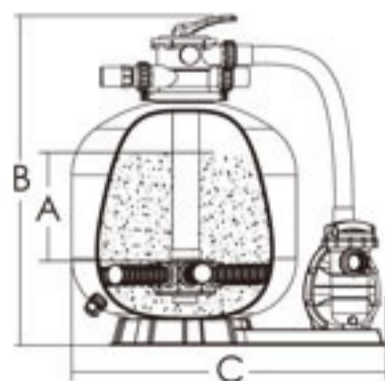
FSP300-4W

# FSP SERIES FILTER SYSTEM



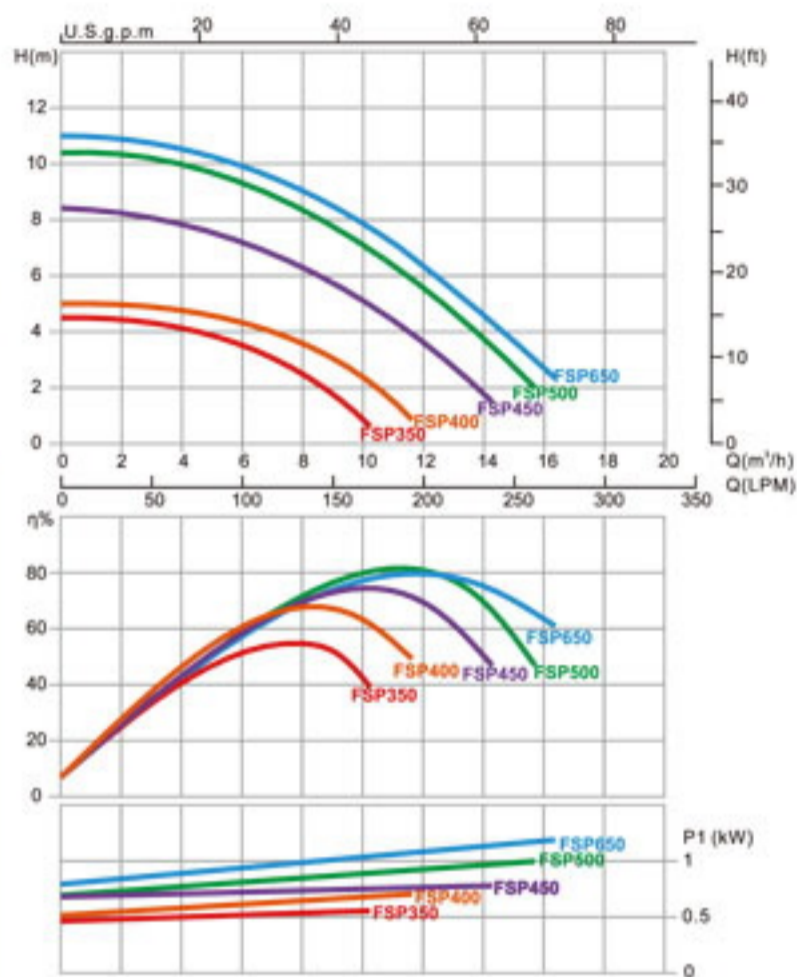
## Highlight Features:

- Suggested Installation: Domestic swimming pool
- Easy installation with pre-installed plumbing system and base
- Simple operation with 4-way multiport valve
- Filter structure with UV resistance material
- Max operating pressure 28psi / 2.0 bar
- Max temperature of 40°C (104°F)
- Suggested size of media : 0.5-0.8mm



FOR PUMP ONLY

Designed for easy set-up domestic pool, "FSP" Series filtration combo offers the right solution for home user who is looking for user-friendly and excellent filtration performance. "FSP" Series Filtration Combo includes top mount plastic filter tank, 4 or 6-way multiport valve, swimming pool pumps attached with base.



Remarks: Flow curve information based on 220V/50Hz motor.

## Technical Information

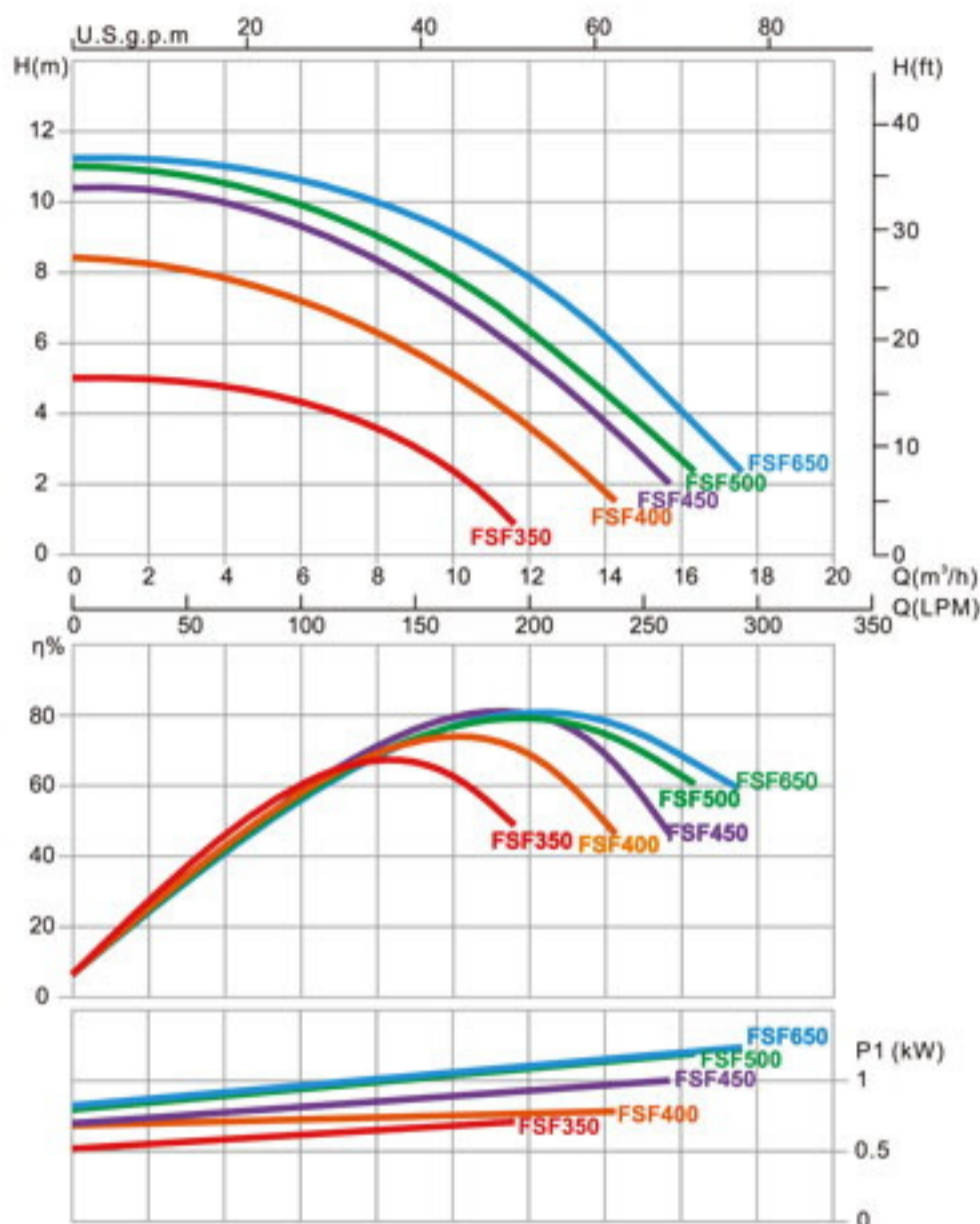
Code (4-way Valve)	Code (6-way Valve)	Model No	Filter	Pump	Valve Connections	Sand (kg)
88030308	88031508	FSP350	P350	SS020	1.5inch 50mm	20
88030409	88031609	FSP400	P400	SS033	1.5inch 50mm	35
88030510	88031710	FSP450	P450	SS050	1.2inch 50mm	45
88030611	88031811	FSP500	P500	SS075	1.2inch 50mm	85
88030712	88031912	FSP650	P650	SS100	1.2inch 50mm	145

## Product Dimension

Model No	A mm	B mm	C mm	D mm	Max Flow Rate
FSP350-4W	160	580	555	350	72lpm 4.32m3/h
FSP400-4W	175	625	760	400	108lpm 6.48m3/h
FSP450-4W	210	680	760	449	135lpm 8.10m3/h
FSP500-4W	235	724	760	527	185lpm 11.10m3/h
FSP650-4W	300	832	760	627	260lpm 15.60m3/h
FSP350-6W	160	680	555	350	72lpm 4.32m3/h
FSP400-6W	175	759	760	400	108lpm 6.48m3/h
FSP450-6W	210	813	760	449	135lpm 8.10m3/h
FSP500-6W	235	856	760	527	185lpm 11.10m3/h
FSP650-6W	300	961	760	627	260lpm 15.60m3/h

# FSF SERIES FILTER SYSTEM

Designed for easy set-up domestic pool, "FSF" Series filtration combo offers the right solution for home user who is looking for user-friendly and excellent filtration performance. "FSF" Series Filtration Combo includes top mount fiberglass filter tank, 6-way multiport valve, swimming pool pumps attached with base.



## Highlight Features:

- Suggested Installation: Domestic swimming pool
- Easy installation with pre-installed plumbing system and base
- Simple operation with 6-way multiport valve
- Filter structure with UV resistance material
- Max operating pressure 36psi / 2.5 bar
- Max temperature of 43°C (109°F)
- Suggested size of media : 0.5-0.8mm

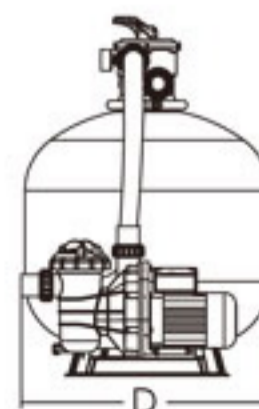
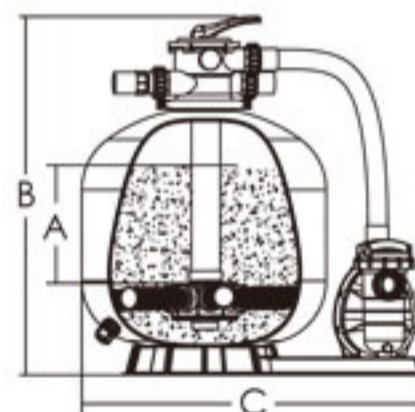
## Technical Information

Code	Model No	Filter	Pump	Valve Connections	Sand(kg)
88032009	FSF350-6W	V350	SS033	1.5 inch 50mm	20
88032110	FSF400-6W	V400	SS050	1.5 inch 50mm	35
88032211	FSF450-6W	V450	SS075	1.5 inch 50mm	45
88032324	FSF500-6W	V500	SC100	1.5 inch 50mm	85
88032425	FSF650-6W	V650	SC150	1.5 inch 50mm	145

Note: Suggested sand weight varies with differences in filter media size. For reference only.

## Product Dimension

Model No	A mm	B mm	C mm	D mm	Max Flow Rate
FSF350-6W	160	680	555	355	72lpm 4.32m³/h
FSF400-6W	175	759	760	410	108lpm 6.48m³/h
FSF450-6W	210	813	760	455	135lpm 8.10m³/h
FSF500-6W	235	856	760	535	185lpm 11.10m³/h
FSF650-6W	300	961	760	635	260lpm 15.60m³/h

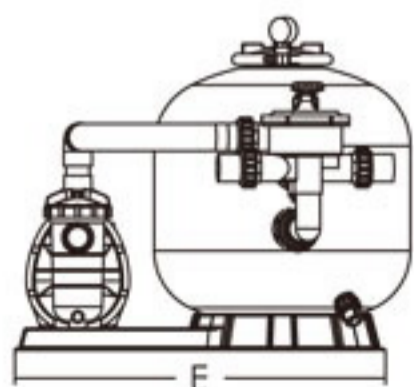
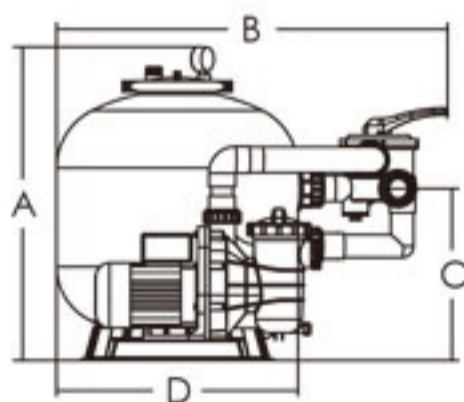


# FSJ SERIES FILTER SYSTEM

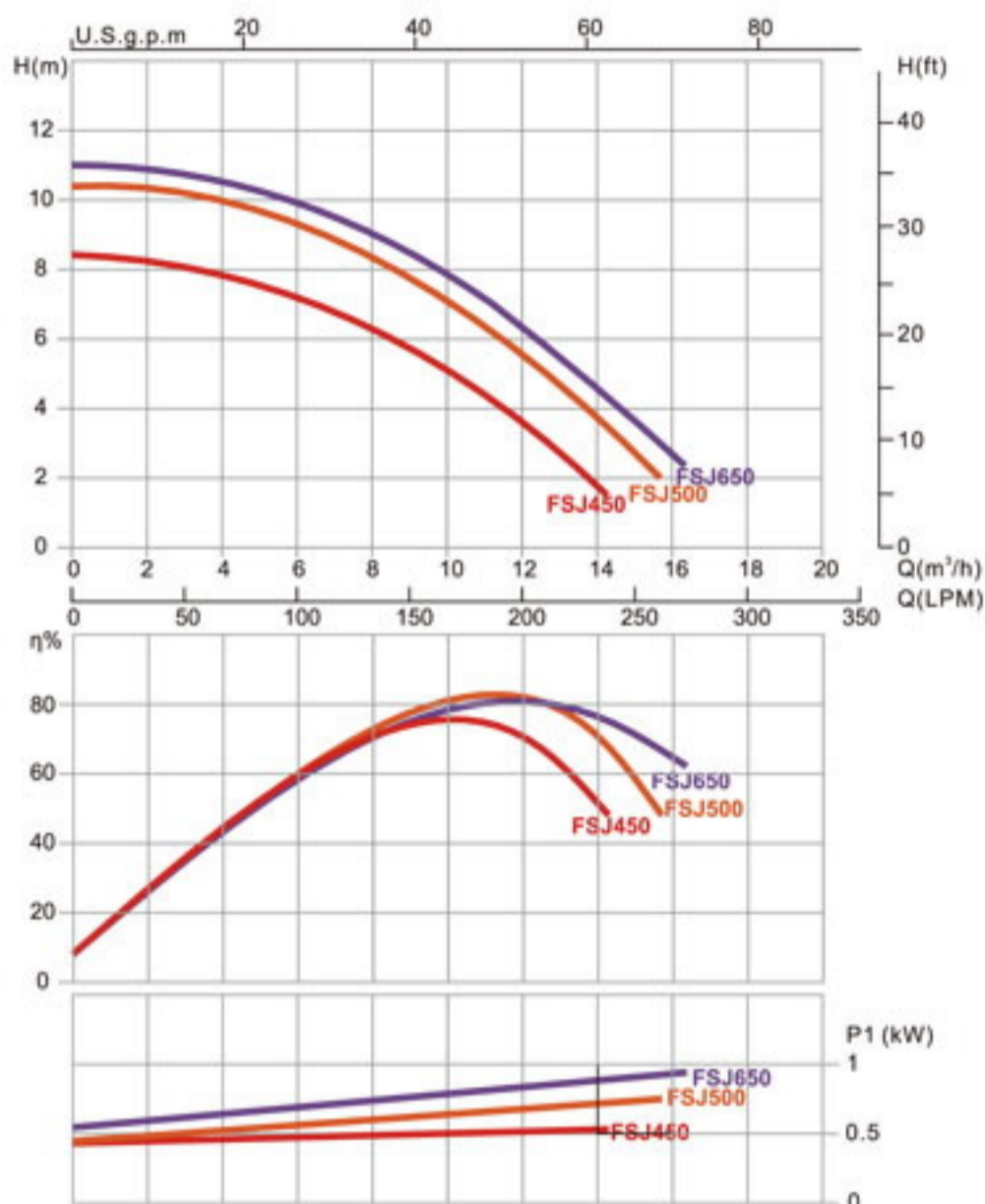


## Highlight Features:

- Suggested Installation: Domestic swimming pool
- Easy installation with pre-installed plumbing system and base
- Simple operation with 6-way multiport valve
- Filter structure with UV resistance material
- Max operating pressure 28psi / 2.0 bar
- Max temperature of 40°C (104°F)
- Suggested size of media : 0.5-0.8mm



Designed for easy set-up domestic pool, "FSJ" Series filtration combo offers the right solution for home user who is looking for user-friendly and excellent filtration performance. "FSJ" Series Filtration Combo includes side mount plastic filter tank, 6-way multiport valve, swimming pool pumps attached with base.



## Technical Information

Code	Model No	Filter	Pump	Valve Connections	Sand(kg)
88032610	FSJ450-6W	SP450	SS050	1.5 inch 50mm	45
88032711	FSJ500-6W	SP500	SS075	1.5 inch 50mm	85
88032812	FSJ650-6W	SP650	SS100	1.5 inch 50mm	145

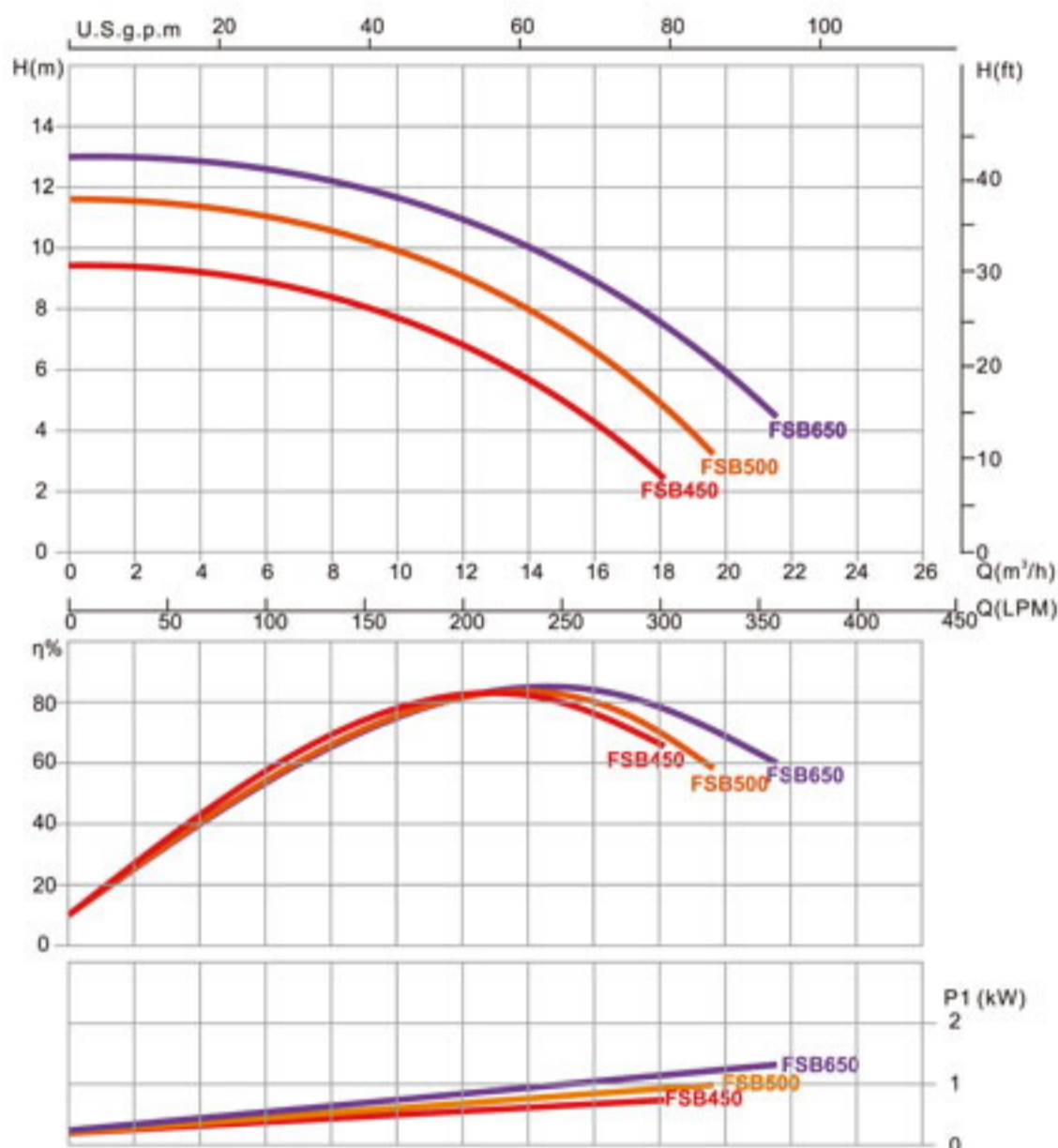
Note: Suggested sand weight varies with differences in filter media size. For reference only.

## Product Dimension

Model No	A mm	B mm	C mm	D mm	E mm	Max Flow Rate
FSJ450-6W	730	790	360	449	760	135lpm 8.10m³/h
FSJ500-6W	770	867	390	527	760	185lpm 11.10m³/h
FSJ650-6W	850	967	430	627	760	260lpm 15.60m³/h

# FSB SERIES FILTER SYSTEM

Designed for easy set-up domestic pool, "FSB" Series filtration combo offers the right solution for home user who is looking for high pressure, user-friendly and excellent filtration performance. "FSB" Series Filtration Combo includes side mount fiberglass filter tank, 6-way multiport valve, swimming pool pumps attached with base.



## Highlight Features:

- Suggested Installation: Domestic swimming pool
- Easy installation with pre-installed plumbing system and base
- Simple operation with 6-way multiport valve
- Filter structure with UV resistance material
- Max operating pressure 36psi / 2.5 bar
- Max temperature of 43°C (109°F)
- Suggested size of media : 0.5-0.8mm

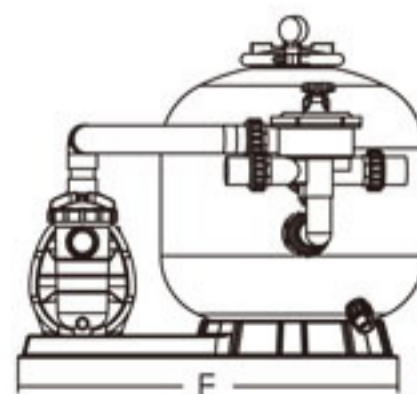
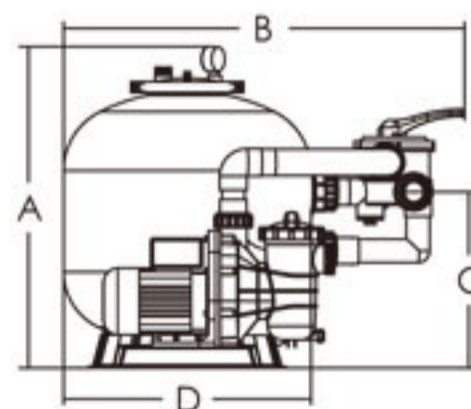
## Technical Information

Code	Model No	Filter	Pump	Valve Connections	Sand(kg)
88032911	FSB450-6W	S450	SS075	1.5 inch 50mm	45
88033024	FSB500-6W	S500	SC100	1.5 inch 50mm	85
88033125	FSB650-6W	S650	SC150	1.5 inch 50mm	145

Note: Suggested sand weight varies with differences in filter media size. For reference only.

## Product Dimension

Model No	A mm	B mm	C mm	D mm	E mm	Max Flow Rate
FSB450-6W	730	790	360	449	760	135lpm 8.10m³/h
FSB500-6W	770	867	390	527	760	185lpm 11.10m³/h
FSB650-6W	850	967	430	627	760	260lpm 15.60m³/h

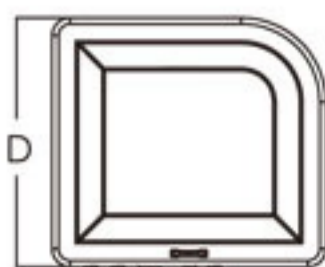
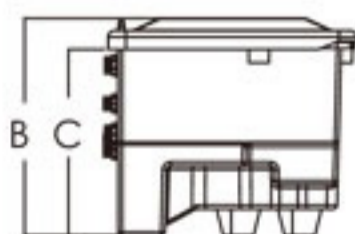
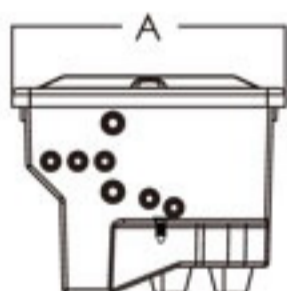


# EMD SERIES IN-GROUND FILTER SYSTEM



## Highlight Features:

- Suggested Installation: Domestic swimming pool
- Easy installation with pre-installed plumbing system with durable enclosure
- Simple operation with control box
- UV resistance for the top cover
- Max operating pressure 36psi / 2.5 bar
- Max temperature of 43°C (109°F)
- Suggested size of media : 0.5-0.8mm



The enclosure is made from glass fibre enhanced plastic is durable and resistive to corrosion, rust, low temperature and UV.

Suitable for pools of different shapes and sizes. Selection of system components can be customized to your specific requirements.

Timer-controlled automation eliminates the need(s) for manual power-on/off and professional staff for maintenance; when backwash is called for you just need to turn the 6-position multiport valve to clean up the sand filter, which makes it more convenient and environmental friendly than other filtration devices using filter pockets.

The enclosure is water-tight and can drain water automatically.

Eliminate the need(s) for building equipment rooms and installation, which saves much labour and time. Simple installation can be completed within hours.

The system consists of a subsystem for filtration, hydraulic massage, sanitizing and lighting.

Lights will turn on automatically when the cover is open, which makes it suitable for operation at dim condition.

Equipped with salt water chlorinator, the most effective and widely used means for sanitization.

## Technical Information

Model No	A mm	B mm	C mm	D mm
EMD-7	1330	1055	905	1210
EMD-11	1330	1055	905	1210
EMD-14	1330	1055	905	1210
EMD-18	1400	1220	1080	1340
EMD-22	1400	1220	1080	1340
EMD-25	1730	1315	1170	1630
EMD-32	1730	1315	1170	1630

Note: Suggested sand weight varies with differences in filter media size. For reference only.



# EMD SERIES IN-GROUND FILTER SYSTEM

## Technical Information

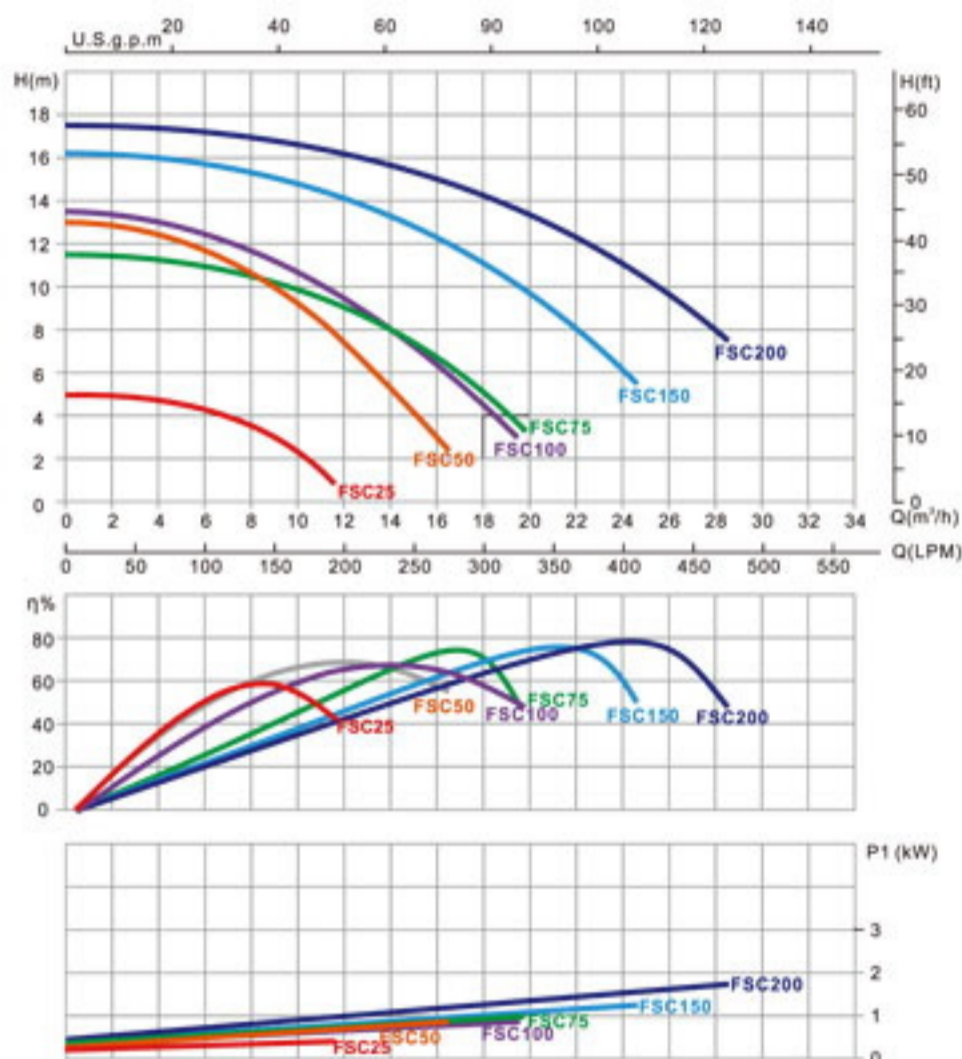
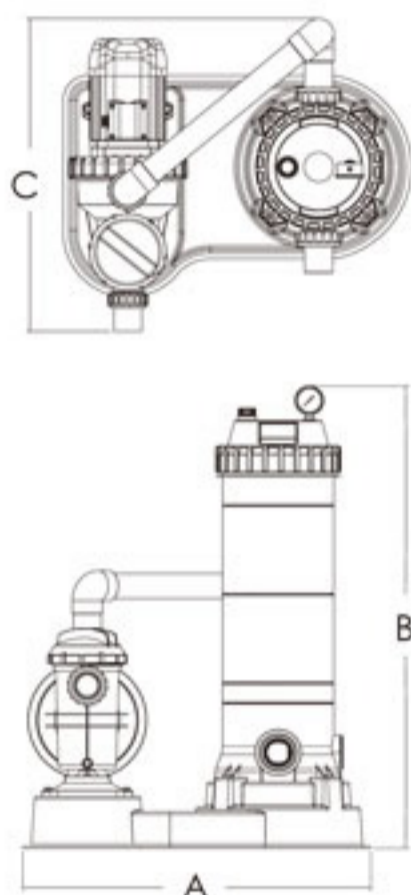
Serial No.	Model No.	Description	Pool Volume	Flowrate
88390101	EMD-7C	S450 Sand Filter, SS033 Pump, CL-01A Chlorine Feeder and PSB016 Submersible Pump	42m <sup>3</sup>	7m <sup>3</sup> /h
88390102	EMD-7CP	S450 Sand Filter, SS033 Pump, CL-01A Chlorine Feeder, SR30 Booster Pump and PSB016 Submersible Pump	42m <sup>3</sup>	7m <sup>3</sup> /h
88390103	EMD-7S	S450 Sand Filter, SS033 Pump, SSC15-E Salt Chlorinator and PSB016 Submersible Pump	42m <sup>3</sup>	7m <sup>3</sup> /h
88390104	EMD-7SP	S450 Sand Filter, SS033 Pump, SSC15-E Salt Chlorinator, SR30 Booster Pump and PSB016 Submersible Pump	42m <sup>3</sup>	7m <sup>3</sup> /h
88390105	EMD-7SL	S450 Sand Filter, SS033 Pump, SSC15-E Salt Chlorinator, TRC-300VA Light Transformer and PSB016 Submersible Pump	42m <sup>3</sup>	7m <sup>3</sup> /h
88390106	EMD-7SPL	S450 Sand Filter, SS033 Pump, SSC15-E Salt Chlorinator, SR30 Booster Pump, TRC-300VA Light Transformer and PSB016 Submersible Pump	42m <sup>3</sup>	7m <sup>3</sup> /h
88390201	EMD-11C	S500 Sand Filter, SS050 Pump, CL-01A Chlorine Feeder and PSB016 Submersible Pump	66m <sup>3</sup>	11m <sup>3</sup> /h
88390202	EMD-11CP	S500 Sand Filter, SS050 Pump, CL-01A Chlorine Feeder, SR30 Booster Pump and PSB016 Submersible Pump	66m <sup>3</sup>	11m <sup>3</sup> /h
88390203	EMD-11S	S500 Sand Filter, SS050 Pump, SSC15-E Salt Chlorinator and PSB016 Submersible Pump	66m <sup>3</sup>	11m <sup>3</sup> /h
88390204	EMD-11SP	S500 Sand Filter, SS050 Pump, SSC15-E Salt Chlorinator, SR30 Booster Pump and PSB016 Submersible Pump	66m <sup>3</sup>	11m <sup>3</sup> /h
88390205	EMD-11SL	S500 Sand Filter, SS050 Pump, SSC15-E Salt Chlorinator, TRC-300VA Light Transformer and PSB016 Submersible Pump	66m <sup>3</sup>	11m <sup>3</sup> /h
88390206	EMD-11SPL	S500 Sand Filter, SS050 Pump, SSC15-E Salt Chlorinator, SR30 Booster Pump, TRC-300VA Light Transformer and PSB016 Submersible Pump	66m <sup>3</sup>	11m <sup>3</sup> /h
88390301	EMD-14C	S650 Sand Filter, SS100 Pump, CL-01A Chlorine Feeder and PSB016 Submersible Pump	84m <sup>3</sup>	14m <sup>3</sup> /h
88390302	EMD-14CP	S650 Sand Filter, SS100 Pump, CL-01A Chlorine Feeder, SR30 Booster Pump and PSB016 Submersible Pump	84m <sup>3</sup>	14m <sup>3</sup> /h
88390303	EMD-14S	S650 Sand Filter, SS100 Pump, SSC25-E Salt Chlorinator and PSB016 Submersible Pump	84m <sup>3</sup>	14m <sup>3</sup> /h
88390304	EMD-14SP	S650 Sand Filter, SS100 Pump, SSC25-E Salt Chlorinator, SR30 Booster Pump and PSB016 Submersible Pump	84m <sup>3</sup>	14m <sup>3</sup> /h
88390305	EMD-14SL	S650 Sand Filter, SS100 Pump, SSC25-E Salt Chlorinator, TRC-300VA Light Transformer and PSB016 Submersible Pump	84m <sup>3</sup>	14m <sup>3</sup> /h
88390306	EMD-14SPL	S650 Sand Filter, SS100 Pump, SSC25-E Salt Chlorinator, SR30 Booster Pump, TRC-300VA Light Transformer and PSB016 Submersible Pump	84m <sup>3</sup>	14m <sup>3</sup> /h
88390401	EMD-18C	S700 Sand Filter, SC150 Pump, CL-01A Chlorine Feeder and PSB016 Submersible Pump	108m <sup>3</sup>	18m <sup>3</sup> /h
88390402	EMD-18CP	S700 Sand Filter, SC150 Pump, CL-01A Chlorine Feeder, SR30 Booster Pump and PSB016 Submersible Pump	108m <sup>3</sup>	18m <sup>3</sup> /h
88390403	EMD-18S	S700 Sand Filter, SC150 Pump, SSC50-E Salt Chlorinator and PSB016 Submersible Pump	108m <sup>3</sup>	18m <sup>3</sup> /h
88390404	EMD-18SP	S700 Sand Filter, SC150 Pump, SSC50-E Salt Chlorinator, SR30 Booster Pump and PSB016 Submersible Pump	108m <sup>3</sup>	18m <sup>3</sup> /h
88390405	EMD-18SL	S700 Sand Filter, SC150 Pump, SSC50-E Salt Chlorinator, TRC-300VA Light Transformer and PSB016 Submersible Pump	108m <sup>3</sup>	18m <sup>3</sup> /h
88390406	EMD-18SPL	S700 Sand Filter & SC150 Pump, SSC50-E Salt Chlorinator, SR30 Booster Pump, TRC-300VA Light Transformer and PSB016 Submersible Pump	108m <sup>3</sup>	18m <sup>3</sup> /h
88390501	EMD-22C	S700(B) Sand Filter, SC150 Pump, CL-01A Chlorine Feeder and PSB016 Submersible Pump	132m <sup>3</sup>	22m <sup>3</sup> /h
88390502	EMD-22CP	S700(B) Sand Filter, SC150 Pump, CL-01A Chlorine Feeder, SR30 Booster Pump and PSB016 Submersible Pump	132m <sup>3</sup>	22m <sup>3</sup> /h
88390503	EMD-22S	S700(B) Sand Filter, SC150 Pump, SSC50-E Salt Chlorinator and PSB016 Submersible Pump	132m <sup>3</sup>	22m <sup>3</sup> /h
88390504	EMD-22SP	S700(B) Sand Filter, SC150 Pump, SSC50-E Salt Chlorinator, SR30 Booster Pump and PSB016 Submersible Pump	132m <sup>3</sup>	22m <sup>3</sup> /h
88390505	EMD-22SL	S700(B) Sand Filter, SC150 Pump, SSC50-E Salt Chlorinator, TRC-300VA Light Transformer and PSB016 Submersible Pump	132m <sup>3</sup>	22m <sup>3</sup> /h
88390506	EMD-22SPL	S700(B) Sand Filter, SC150 Pump, SSC50-E Salt Chlorinator, SR30 Booster Pump, TRC-300VA Light Transformer and PSB016 Submersible Pump	132m <sup>3</sup>	22m <sup>3</sup> /h
88390601	EMD-25C	S800 Sand Filter, SB20 Pump, CL-01A Chlorine Feeder and PSB016 Submersible Pump	150m <sup>3</sup>	25m <sup>3</sup> /h
88390602	EMD-25CP	S800 Sand Filter, SB20 Pump, CL-01A Chlorine Feeder, SR30 Booster Pump and PSB016 Submersible Pump	150m <sup>3</sup>	25m <sup>3</sup> /h
88390603	EMD-25S	S800 Sand Filter, SB20 Pump, SSC50-E Salt Chlorinator and PSB016 Submersible Pump	150m <sup>3</sup>	25m <sup>3</sup> /h
88390604	EMD-25SP	S800 Sand Filter, SB20 Pump, SSC50-E Salt Chlorinator, SR30 Booster Pump and PSB016 Submersible Pump	150m <sup>3</sup>	25m <sup>3</sup> /h
88390605	EMD-25SL	S800 Sand Filter, SB20 Pump, SSC50-E Salt Chlorinator, TRC-300VA Light Transformer and PSB016 Submersible Pump	150m <sup>3</sup>	25m <sup>3</sup> /h
88390606	EMD-25SPL	S800 Sand Filter, SB20 Pump, SSC50-E Salt Chlorinator, SR30 Booster Pump, TRC-300VA Light Transformer and PSB016 Submersible Pump	150m <sup>3</sup>	25m <sup>3</sup> /h
88390701	EMD-32C	S900 Sand Filter, SB30 Pump, CL-01A Chlorine Feeder and PSB016 Submersible Pump	192m <sup>3</sup>	32m <sup>3</sup> /h
88390702	EMD-32CP	S900 Sand Filter, SB30 Pump, CL-01A Chlorine Feeder, SR30 Booster Pump and PSB016 Submersible Pump	192m <sup>3</sup>	32m <sup>3</sup> /h
88390703	EMD-32S	S900 Sand Filter, SB30 Pump, SSC50-E Salt Chlorinator and PSB016 Submersible Pump	192m <sup>3</sup>	32m <sup>3</sup> /h
88390704	EMD-32SP	S900 Sand Filter, SB30 Pump, SSC50-E Salt Chlorinator, SR30 Booster Pump and PSB016 Submersible Pump	192m <sup>3</sup>	32m <sup>3</sup> /h
88390705	EMD-32SL	S900 Sand Filter, SB30 Pump, SSC50-E Salt Chlorinator, TRC-300VA Light Transformer and PSB016 Submersible Pump	192m <sup>3</sup>	32m <sup>3</sup> /h
88390706	EMD-32SPL	S900 Sand Filter, SB30 Pump, SSC50-E Salt Chlorinator, SR30 Booster Pump, TRC-300VA Light Transformer and PSB016 Submersible Pump	192m <sup>3</sup>	32m <sup>3</sup> /h

# FSC SERIES FILTER SYSTEM



## Features

1. Easy setup and operate
2. UV resistant cartridge filter tank
3. Heavy duty ring-lock lid allows easy-open for cleaning and replacing cartridge element
4. Oil filled pressure gauge for easy inspection of the operation pressure
5. Attached with circulation pump which IPX5 Waterproof standard certified and built-in thermal protection
6. Application to domestic swimming pool & spa



## Technical Information

Code	Model No	Cartridge Filters	Pump	Valve Connections
88340109	FSC025	CF25	SS033	1.5 inch 50mm
88340212	FSC050	CF50	SS100	1.5 inch 50mm
88340324	FSC075	CF75	SC100	1.5 inch 50mm
88340429	FSC100	CF100	SB10	2.0 inch 63mm
88340540	FSC150	CF150	SB15	2.0 inch 63mm
88340631	FSC200	CF200	SB20	2.0 inch 63mm

## Functions

Maximum Working Pressure  
250kPa /36psi/2.5bar

Maximum Water Temperature  
40°C (104°F)

## Cartridge Filter Element for CF and CFO Series

Model No	A mm	B mm	C mm	Max Flow Rate
FSC025	705	580	490	92lpm 5.5m <sup>3</sup> /h
FSC050	705	760	490	190lpm 11.4m <sup>3</sup> /h
FSC075	705	940	532	283lpm 17.0m <sup>3</sup> /h
FSC100	705	1120	600	382lpm 22.9m <sup>3</sup> /h
FSC150	705	1300	600	555lpm 33.4m <sup>3</sup> /h
FSC200	705	1480	600	680lpm 40.9m <sup>3</sup> /h



## KOK SERIES FILTER SYSTEM

"KOK" Series Filtration Combo provides mechanical and biological filtration at a single unit which complete with bobbin wound filter, 6-way multiport valve, pipings, circulation pump, air blower, control box and base. It has been engineered uniquely for pond and water garden.

### About Biological filtration

Biological filtration is the essential part of the Nitrogen Cycle. It is an effective way to remove ammonia and break down into nitrites. Nitrites will then be transformed to nitrates which are required for the growth of aquatic plants. It can be done by using naturally occurring bacteria and offering a place for it to be active in the special filtration media where it is exposed to large amount of oxygen and food.

### About Nitrogen Cycle

The process begins when fish consume and then excrete ammonia. The ammonia is eaten by the bacteria in the filter and form nitrite which is poisonous to fish and has to be taken out. Nitrite will then be eaten by another kind of bacteria in the filter which form nitrate which normally to be used by plant as fertilizer. This cycle repeats itself by natural.

### Technical Information

Code	Model No	Filter	Pump	Max.Flow Rate		Air Blower
88033225	KOK-65	S650R	SC150	400lpm	24.0m <sup>3</sup> /h	AB550
88033331	KOK-80	S800R	SB20	583lpm	35.0m <sup>3</sup> /h	AB550
88033432	KOK-90	S900R	SB30	666lpm	40.0m <sup>3</sup> /h	AB550

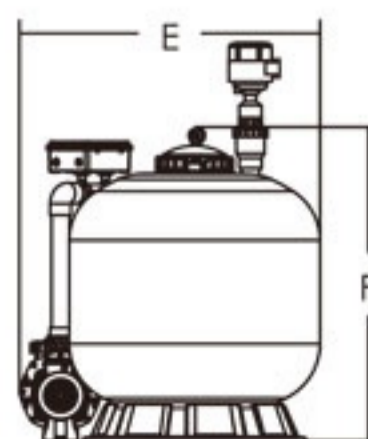
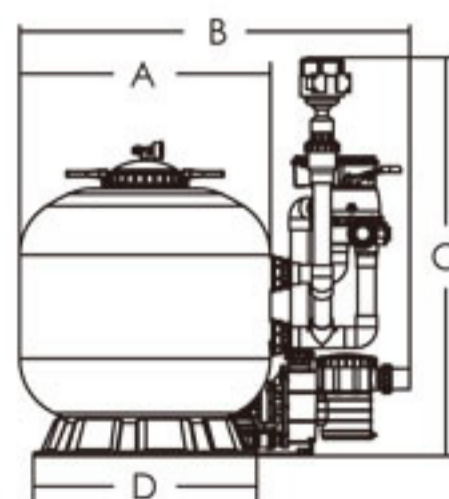
### Product Dimension

Model No	A mm	B mm	C mm	D mm	E mm	F mm
KOK-65	635	1085	1080	500	835	890
KOK-80	820	1220	1390	780	1220	1020
KOK-90	920	1310	1410	780	1260	1130



### Highlight Features:

- Suggested Installation: Fish Pond / Aquarium / Water garden
- Surface coating
- Max operating pressure 36psi / 2.5 bar
- Max temperature of 43°C (109°F)
- Suggested type of media : Polyethylene granule (included)



# CRYSTAL FILTRATION MEDIA



### Glass Filter Media

Crystal glass media is a direct replacement for silica sand which offer you the most dependable and cost effective way to enhance the performance of your pool filtration system.

### Enhance Filtration Result

- Improve the clarity which overwhelm the result of using silica sand
- Remove finer impurities than equivalent grade of silica sand
- Commercial potable water treatment
- Commercial rapid-rate re-use water filters
- Waste water treatment
- Sewage treatment (lattice structure ideal for biological control)

### Application

- Swimming Pool
- Water Park
- Water Treatment
- Aquarium
- Spa
- Water Feature
- Fountain



### Cost Effective

- Reduce 25% of water for backwashing
- Power consumption reduce for backwash time shorten
- Longer operation life than silica sand due to higher attrition strength which do not break easily



### Size Available



0.5 mm - 0.8 mm



1.0 mm - 2.0 mm



3.0 mm - 4.0 mm

### Ordering Details

Code	Model No	Description
87013029	FMG15A	Filtration Media 0.5-0.8mm, 15kg bag
87013030	FMG15B	Filtration Media 1.0-2.0mm, 15kg bag
87013032	FMG25A	Filtration Media 0.5-0.8mm, 25kg bag
87013033	FMG25B	Filtration Media 1.0-2.0mm, 25kg bag
87013034	FMG25C	Filtration Media 3.0-5.0mm, 25kg bag



## Zeolite Filter Media

It has been accurately modified to offer unparalleled performance in filters in response to market pressure for an efficient, ecologically sustainable and long lifespan media. The reliability and hardness of Ruby Filtration Media, is the most ideal and trustable media for water processing application, from domestic and commercial pools, potable water treatment systems to domestic and industrial waste water treatment.

## Applications

- Domestic and commercial pool filters
- Raw water pre-treatment
- Commercial potable water treatment
- Commercial rapid-rate re-use water filters
- Waste water treatment
- Sewage treatment (lattice structure ideal for biological control)

## Save more media

Ruby Filtration Media has a lower bulk density than silica sand which you only require 50% by weight of the amount of sand needed, varying on the size of filter installed. Sand is recommended to be changed every 4-6 years while Ruby Filtration Media last longer due to its hardness.

## Save more chemical

Ruby is pH neutral, it saves extra chemical to balance the pool pH. Ruby can also absorb ammonia content in water which make your water odor free.

## Save you additional work

No modification of filtration system required!

## Ruby Filtration Media is the best option for filtration

Media	Emaux Ruby	Silica Sand	Diatomaceous Earth
Sustainability	Sustainable	Sustainable	Refill after backwashing
Filtration Effect	Excellent	Good	Excellent
Filtration Rating	5 micron	15 micron	5 micron
Multiple Filtration	Yes	No	No
Reduce Ammonia	Yes	No	No
Reduce Chloramine	Yes	No	No
Backwashing	Simple	Simple	Will rinse away part of D.E.
Operating Cost	Low	Low	Medium (Refill filtration media occasionally)

## Ordering Details

Code	Model No	Description
87011034	FMZ15	Ruby Filtration Media 0.8mm-1.2mm, 15kg bag



RUBY Filtration Media

## Technical Data

### Bulk Density

1.22 kg/m<sup>3</sup>

### Effective Filtration

<5 Micron (Rapid Sand)

### Effective Size

Range from 0.5 to 1.0mm

### Coefficient of Uniformity

1.60

### Estimated Sphericity

0.55mm

### Packaging Size

15kg / bag

### Typical Chemical Composition

SiO<sub>2</sub> – 74.65%  
 Al<sub>2</sub>O<sub>3</sub> – 12.62%  
 K<sub>2</sub>O – 2.52%  
 Na<sub>2</sub>O – 3.48%  
 CaO – 1.92%  
 MgO – 0.30%  
 Fe<sub>2</sub>O<sub>3</sub> – 0.99%

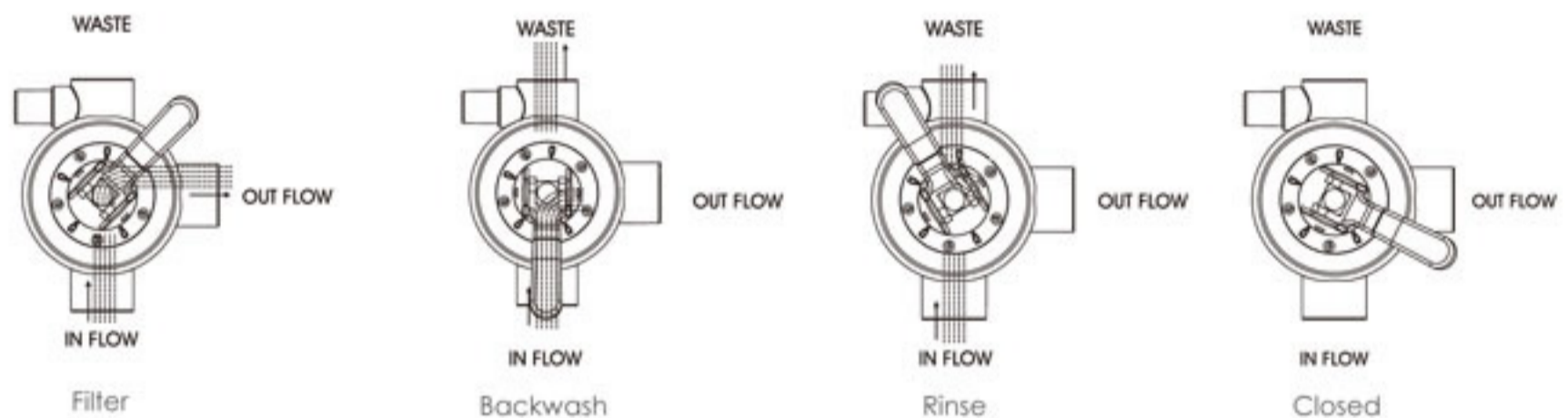
## MULTIPOINT VALVE

Valves are available in Top Mount and Side Mount design, constructed using ABS material with heavy duty plastic handle. The valves have 6 operating functions which covers all the necessary operations needed in any swimming pool filtration.

### Features

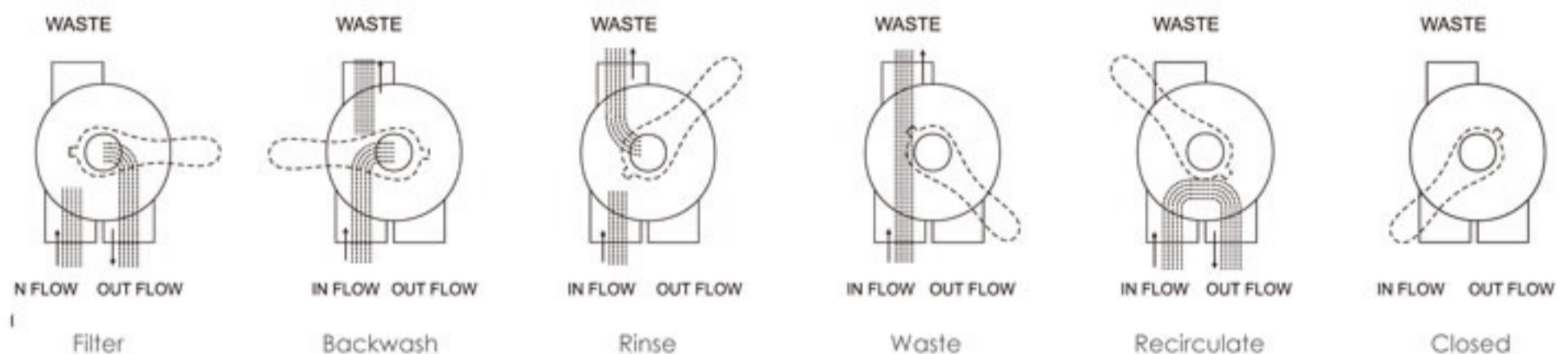
1. 100% factory tested for water leakage
2. Easy installation, maintenance, and servicing
3. Constructed with sturdy ABS and marine-grade stainless steel
4. Designed for superior durability
5. Commercial multiport valves are cost efficient and saving space compares to butterfly valve manifold

### Functions: 4-Way Multiport Valve



- FILTER- Normal Filtration
- BACKWASH- Cleaning Filter by reversing the flow
- RINSE- Used after backwash to flush dirt from valve
- CLOSED- Shuts off all flow to filter or pool

### Functions: 6-Way Multiport Valve



- FILTER- Normal Filtration
- BACKWASH- Cleaning Filter by reversing the flow
- RINSE- Used after backwash to flush dirt from valve
- WASTE- By-passes filter, used for vacuuming to waste outlet or lowering water level
- RECIRCULATE- By-passes filter for circulating water to pool
- CLOSED- Shuts off all flow to filter or pool

# MULTIPORT VALVE

## Top Mount Multiport Valve

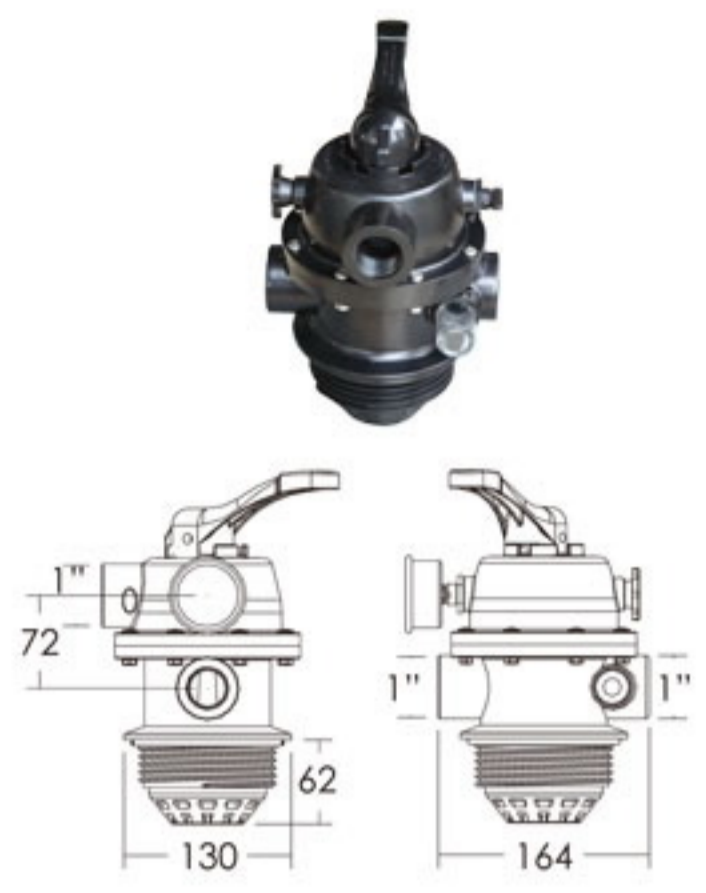
### 1 inch Top Mount Valve

Code	Model	Description
88281403	MPV06	6 Way 1" Top Mount Valve (Valve Only)

- Thread Type Connection
- For Top Mount Deep Bed Filters ("HD" Series)

### Technical Information

Maximum Working Pressure	700kPa/101psi/7.0bar
Factory Testing Pressure	1500kPa/217psi/15.0bar
Maximum Water Temperature	50°C(122°F)
Flow Rate	5m <sup>3</sup> /h at 40kPa/58psi/0.4bar



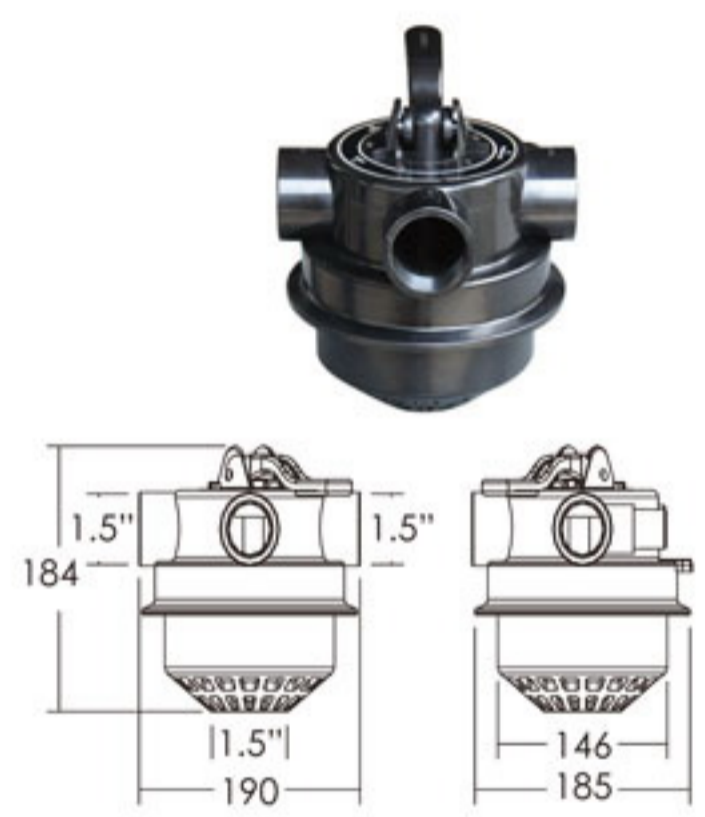
### 1.5 inch 4 Way Top Mount Valve

Code	Model	Description
88281205	MPV05	4 Way 1.5" Top Mount Valve (Valve Only)

- Clamp Type Connection
- For Top Mount Fiberglass and Plastic Filters (FSP Series)

### Technical Information

Maximum Working Pressure	350kPa/50psi/3.5bar
Factory Testing Pressure	700kPa/101psi/7.0bar
Maximum Water Temperature	50°C(122°F)
Flow Rate	17m <sup>3</sup> /h at 40kPa/58psi/0.4bar



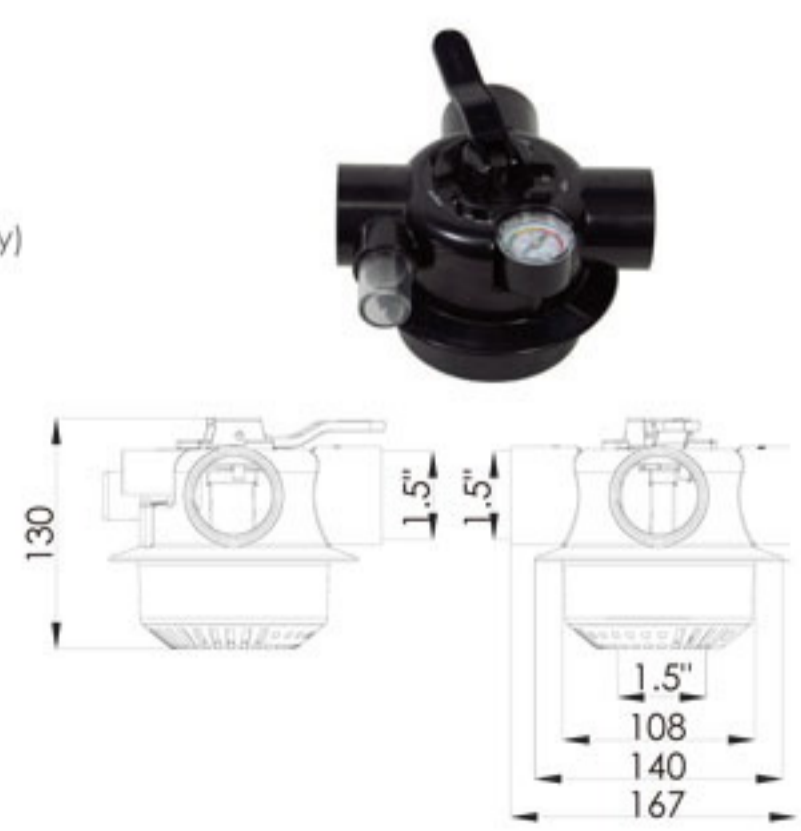
### 1.5 inch 4 Way Top Mount Valve

Code	Model	Description
88281105	MPV16	4 Way 1.5" Top Mount Valve (Valve Only)

- Clamp Type Connection
- For Top Mount Plastic Filter (FSU Series)

### Technical Information

Maximum Working Pressure	200kPa/28psi/2.0bar
Factory Testing Pressure	350kPa/50psi/3.5bar
Maximum Water Temperature	50°C(122°F)
Flow Rate	17m <sup>3</sup> /h at 40kPa/58psi/0.4bar



## MULTI-PORT VALVE



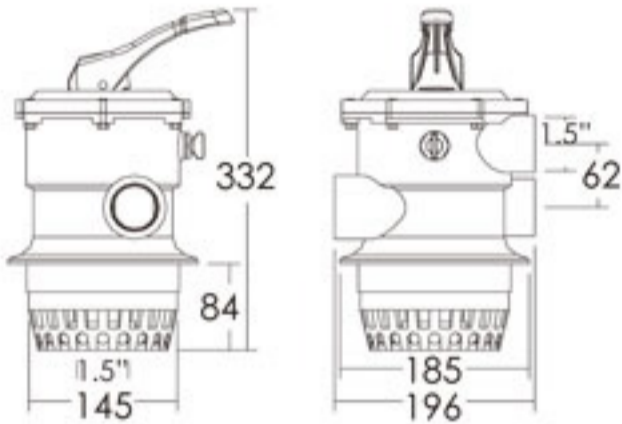
## 1.5 inch 6 Way Top Mount Valve

Code	Model	Description
88280105	MPV01	6 Way 1.5" Top Mount Valve (Valve Only)
88280150	MPV01	6 Way 1.5" Valve with 1.5" union set x 3 and pressure gauge

- Clamp Type Connection
- For Top Mount Fiberglass and Plastic Filters (V, P & Max Series)

## Technical Information

Maximum Working Pressure	500kPa/72psi/5.0bar
Factory Testing Pressure	700kPa/101psi/7.0bar
Maximum Water Temperature	50°C(122°F)
Flow Rate	17m <sup>3</sup> /h at 40kPa/58psi/0.4bar



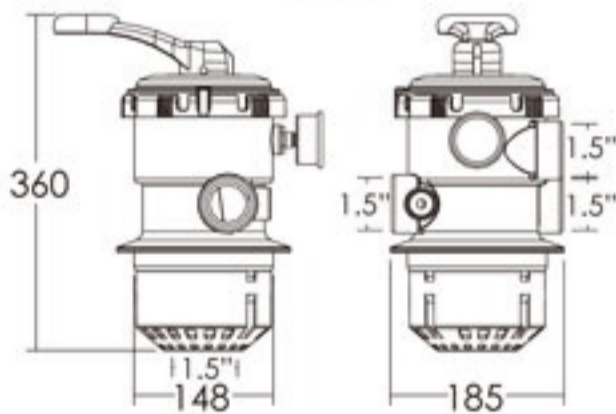
## 1.5 inch 6 Way Top Mount Valve

Code	Model	Description
88281505	MPV07	6 Way 1.5" Top Mount Valve (Valve Only)
88281550	MPV07	6 Way 1.5" Valve with 1.5" union set x 3 and pressure gauge

- Clamp Type Connection
- For Top Mount Fiberglass and Plastic Filters (V, P & Max Series)
- Turn-Lock Lid Allow Tool-Free Servicing

## Technical Information

Maximum Working Pressure	350kPa/50psi/3.5bar
Factory Testing Pressure	700kPa/101psi/7.0bar
Maximum Water Temperature	50°C(122°F)
Flow Rate	17m <sup>3</sup> /h at 40kPa/58psi/0.4bar



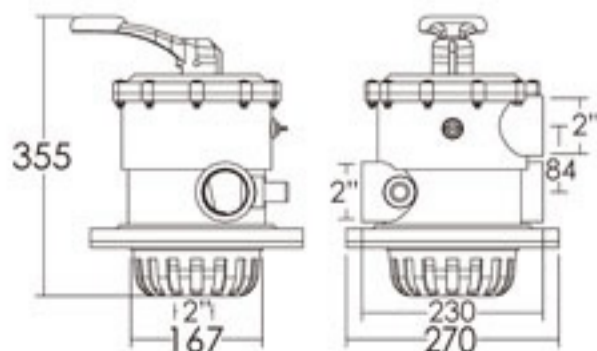
## 2 inch 6 Way Top Mount Valve

Code	Model	Description
88280306	MPV02	6 Way 2" Top Mount Valve (Valve Only)
88280351	MPV02	6 Way 2" Valve with 2" union set x 3 and pressure gauge

- Bolt Type Connection
- For Top Mount Fiberglass Filters (V Series)

## Technical Information

Maximum Working Pressure	350kPa/50psi/3.5bar
Factory Testing Pressure	500kPa/72psi/5.0bar
Maximum Water Temperature	50°C(122°F)
Flow Rate	27m <sup>3</sup> /h at 40kPa/58psi/0.4bar



## MULTI-PORT VALVE

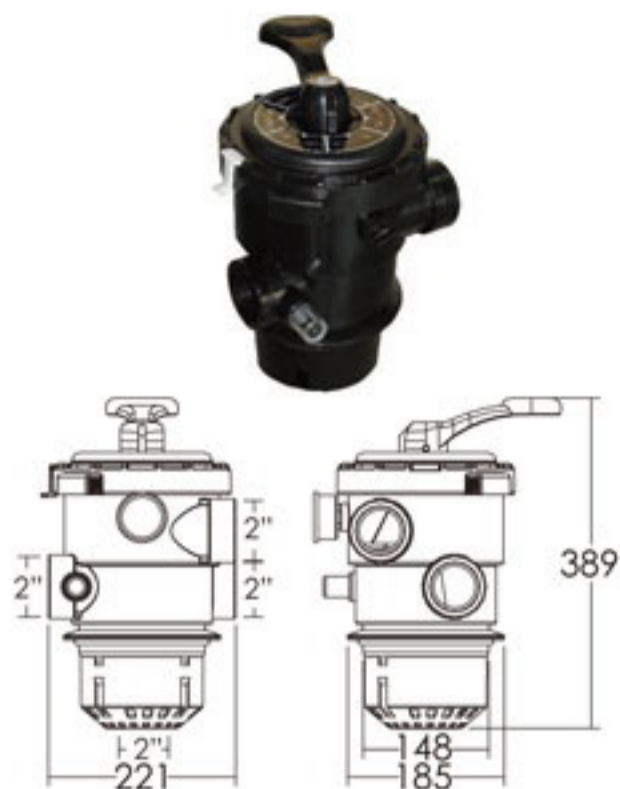
### 2 inch 6 Way Top Mount Valve

Code	Model	Description
88281506	MPV08	6 Way 2" Top Mount Valve (Valve Only)
88281551	MPV08	6 Way 2" Valve with 2" union set x3 and pressure gauge

- Clamp Type Connection
- For Top Mount Fiberglass and Plastic Filters (V, P & Max Series)
- Turn-Lock Lid Allow Tool-Free Servicing

#### Technical Information

Maximum Working Pressure	350kPa/50psi/3.5bar
Factory Testing Pressure	500kPa/72psi/5.0bar
Maximum Water Temperature	50°C(122°F)
Flow Rate	27m <sup>3</sup> /h at 40kPa/58psi/0.4bar



### 2 inch 6 Way Top Mount Valve

Code	Model	Description
88281606	MPV17	6 Way 2" Top Mount Valve (Valve Only)
88281651	MPV17	6 Way 2" Valve with 2" Union set x3 and pressure gauge

- Bolt Type Connection
- For Top Mount Fiberglass Filters (V Series)

#### Technical Information

Maximum Working Pressure	350kPa/50psi/3.5bar
Factory Testing Pressure	500kPa/72psi/5bar
Maximum Water Temperature	50°C(122°F)
Flow Rate	27m <sup>3</sup> /h at 40kPa/58psi/0.4bar



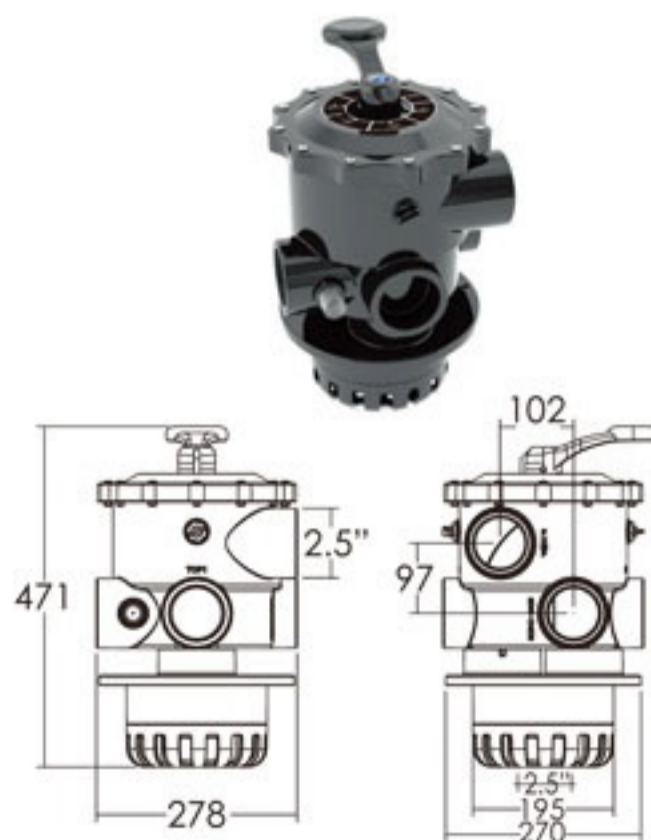
### 2.5 inch 6 Way Top Mount Valve

Code	Model	Description
88280307	MPV12	6 Way 2.5" Top Mount Valve (Valve Only)
88280352	MPV12	6 Way 2.5" Valve with 2.5" union set x3 and pressure gauge

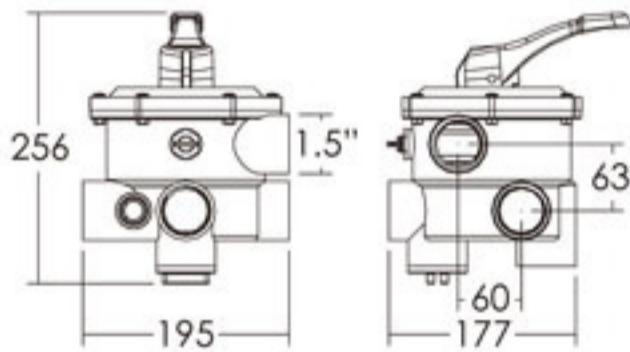
- Bolt Type Connection
- For Top Mount Fiberglass and Plastic Filters (V Series)

#### Technical Information

Maximum Working Pressure	350kPa/50psi/3.5bar
Factory Testing Pressure	500kPa/72psi/5.0bar
Maximum Water Temperature	50°C(122°F)
Flow Rate	36m <sup>3</sup> /h at 40kPa/58psi/0.4bar



# MULTIPOINT VALVE



## Side Mount Multiport Valve

### 1.5 inch 6 Way Side Mount Valve

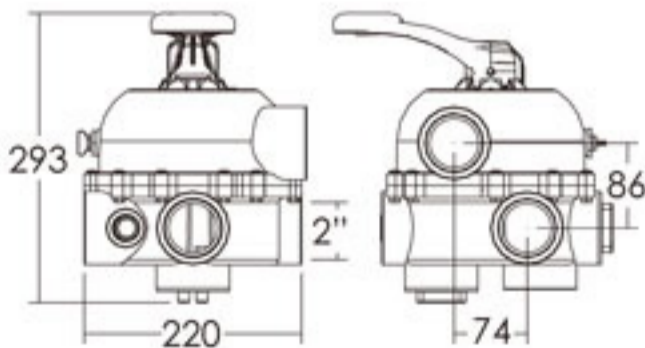
Code	Model	Description
88280805	MPV03	6 Way 1.5" Side Mount Valve (Valve Only)
88280830	MPV03	6 Way 1.5" Valve with Piping Kit for SP, S & MFS series (without union set)
88280831	MPV03	6 Way 1.5" Valve with Piping Kit for SR & SMG series (without union set)
88280810	MPV03	6 Way 1.5" Valve with Piping Kit, 1.5" union set x 3 and pressure gauge for SP, S & MFS series
88280811	MPV03	6 Way 1.5" Valve with Piping Kit, 1.5" union set x 3 and pressure gauge for SR & SMG series

- Union Connection
- For Side Mount Filters (Max, SP, S, SR Series)

### Technical Information

Maximum Working Pressure	500kPa/72psi/5.0bar
Factory Testing Pressure	700kPa/101psi/7.0bar
Maximum Water Temperature	50°C (122°F)
Flow Rate	17m <sup>3</sup> /h at 40kPa/58psi/0.4bar

### 2 inch 6 Way Side Mount Valve



Code	Model	Description
88280806	MPV04	6 Way 2" Side Mount Valve (Valve Only)
88280833	MPV04	6 Way 2" Valve with Piping Kit for S, SR, SMG, SDB series (without union set)
88280832	MPV04	6 Way 2" Valve with Piping Kit for MFS series (without union set)
88280813	MPV04	6 Way 2" Valve with Piping Kit, 2" union set x 3 and pressure gauge for S, SR, SMG, SDB series (without union set)
88280812	MPV04	6 Way 2" Valve with Piping Kit, 2" union set x 3 and pressure gauge for MFS series (without union set)

- Union Connection
- For Side Mount Plastic and Fiberglass Filters (Max & S Series)

### Technical Information

Maximum Working Pressure	350kPa/50psi/3.5bar
Factory Testing Pressure	500kPa/72psi/5.0bar
Maximum Water Temperature	50°C (122°F)
Flow Rate	27m <sup>3</sup> /h at 40kPa/58psi/0.4bar



## MULTI-PORT VALVE

### 2.5 inch 6 Way Side Mount Valve

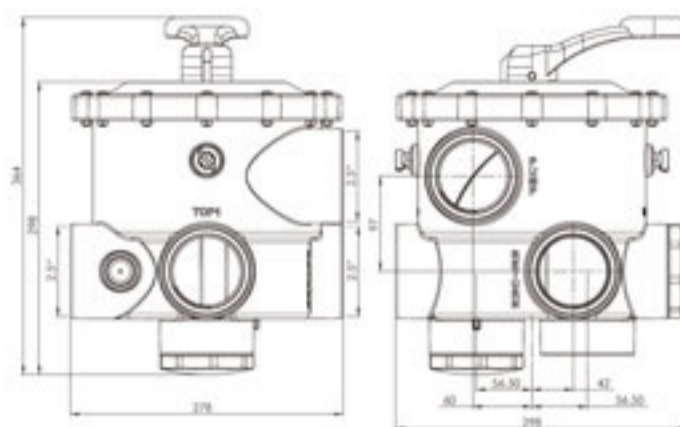
Code	Model	Description
88280807	MPV13	6 Way 2.5" Side Mount Valve (Valve Only)
88280815	MPV13	6 Way 2.5" Valve with Piping Kit, 2.5" union set x 3 and pressure gauge for S, SDB series
88280834	MPV13	6 Way 2.5" Valve with Piping Kit for S, SDB series (without union set)



- Union Connection
- For Side Mount Fiberglass & Deep Bed Filters (S & SDB Series)

#### Technical Information

Maximum Working Pressure	350kPa/50psi/3.5bar
Factory Testing Pressure	500kPa/72psi/5.0bar
Maximum Water Temperature	50°C(122°F)
Flow Rate	36m <sup>3</sup> /h at 40kPa/58psi/0.4bar



### Commercial 3 inch 6 Way Side Mount Valve

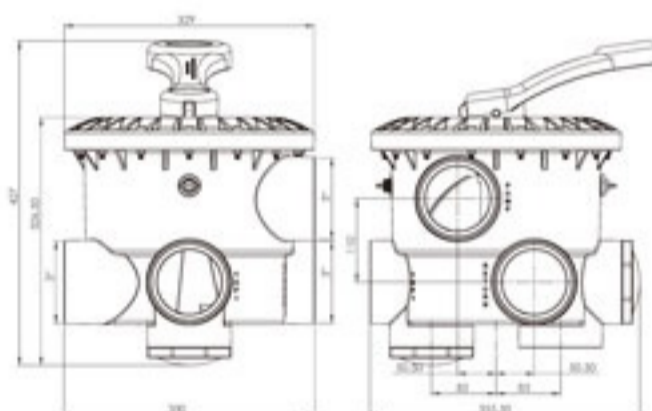
Code	Model	Description
88280808	MPV14	6 Way 3" Side Mount Valve (Valve Only)
88280816	MPV14	6 Way 3" Valve with Piping Kit, Male Adaptor for S series
88280817	MPV14	6 Way 3" Valve with Piping Kit, Male Adaptor for S, NL, K series



- Flange Type Connection
- For Side Mount Commercial Filter (S, NL, K Series)

#### Technical Information

Maximum Working Pressure	350kPa/50psi/3.5bar
Factory Testing Pressure	530kPa/77psi/5.3bar
Maximum Water Temperature	50°C(122°F)
Flow Rate	52m <sup>3</sup> /h at 40kPa/58psi/0.4bar



### Commercial 4 inch 6 Way Side Mount Valve

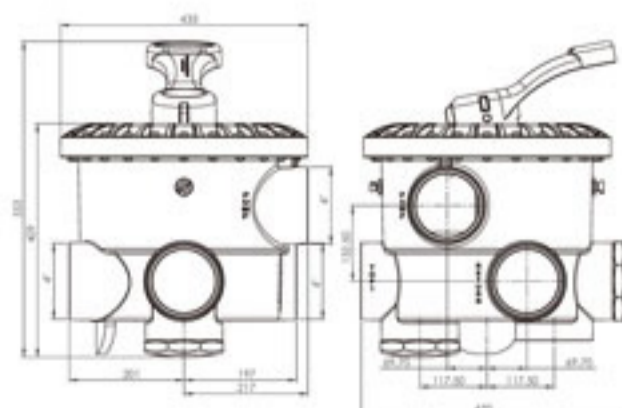
Code	Model	Description
88280809	MPV15	6 Way 4" Side Mount Valve (Valve Only)
88280818	MPV15	6 Way 4" Valve with Piping Kit, Male Adaptor for NL, K series



- Flange Type Connection
- For Side Mount Commercial Filter (NL & K Series)

#### Technical Information

Maximum Working Pressure	350kPa/50psi/3.5bar
Factory Testing Pressure	600kPa/87psi/6.0bar
Maximum Water Temperature	50°C(122°F)
Flow Rate	108m <sup>3</sup> /h at 40kPa/58psi/0.4bar



# BUTTERFLY VALVE FOR COMMERCIAL FILTER



NBV series butterfly valve system is made with anti-corrosive material and applies with flange design which enable easy installation and disassembly. Suitable for commercial heavy duty usage.

### Technical Information

Maximum Working Pressure	250kPa/36psi/2.5bar
Factory Testing Pressure	400kPa/58psi/4.0bar
Maximum Water Temperature	43°C (109°F)

### 4 Way Butterfly Valve

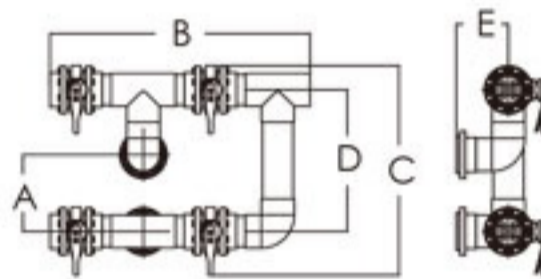


4 Way Butterfly Valve  
NBV30-NBV80

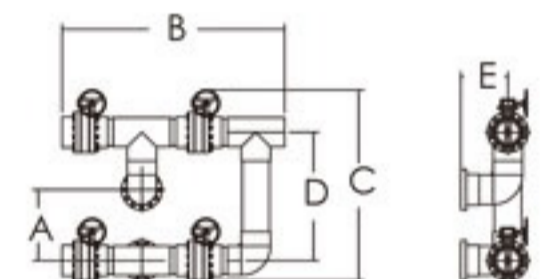


4 Way Butterfly Valve  
BVG100- BVG120

Code	Model No (4)	A mm	B mm	C mm	D mm	E mm
88290401	NBV30-4	350	884	889	552	172
88290402	NBV40-4	350	1001	963	614	210
88290403	NBV60-4	415	1351	1228	775	284
88290404	NBV80-4	550	1867	1500	1015	376
88290605	BVGT100-4	710	2231	1913	1286	472
88290606	BVGT120-4	710	2437	2106	1423	552



4 Way Butterfly Valve  
NBV30-NBV80

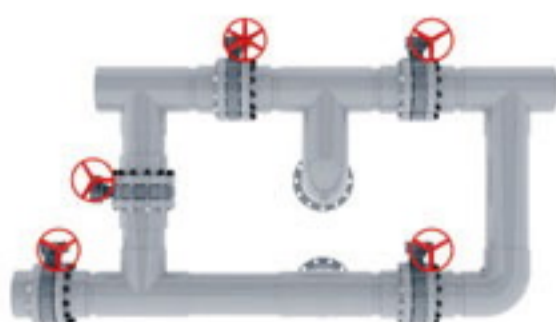


4 Way Butterfly Valve  
BVG100- BVG120

### 5 Way Butterfly Valve

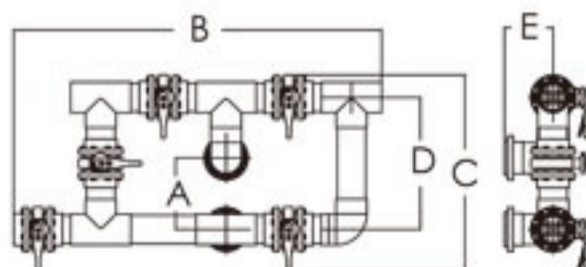


5 Way Butterfly Valve  
NBV30-NBV80

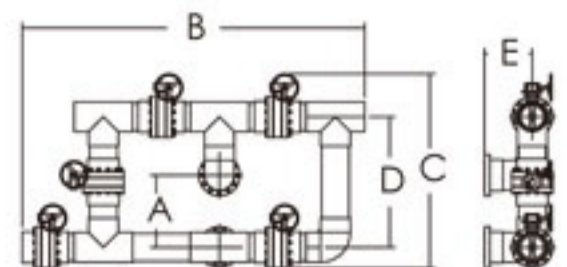


5 Way Butterfly Valve  
BVG100- BVG120

Code	Model No (5)	A mm	B mm	C mm	D mm	E mm
88290301	NBV30-5	350	1395	889	552	172
88290302	NBV40-5	350	1521	963	614	210
88290303	NBV60-5	415	2039	1228	775	284
88290304	NBV80-5	550	2832	1500	1015	376
88290505	BVGT100-5	710	3374	1913	1286	472
88290506	BVGT120-5	710	3692	2106	1423	552



5 Way Butterfly Valve  
NBV30-NBV80



5 Way Butterfly Valve  
BVG100- BVG120

# PRESSURE GAUGE AND UNION

## Pressure Gauge

### Stainless Steel Oil Pressure Gauge



**06011031**  
Maximum 100PSI Indication, Stainless Steel Casing with Bottom Connection



**06011032**  
Maximum 40PSI Indication, Stainless Steel Casing with Side Connection



**06011033**  
Maximum 60PSI Indication, Stainless Steel Casing with Side Connection



**06011029**  
Maximum 40PSI Indication, Stainless Steel Casing with Bottom Connection



**06011030**  
Maximum 60PSI Indication, Stainless Steel Casing with Bottom Connection

### Plastic Pressure Gauge



**06021002**  
Maximum 40PSI Indication, Plastic Casing with Side Connection



**06021013**  
Maximum 40PSI Indication, Plastic Casing with Bottom Connection

### Manometer



**89012801**  
Manometer with 2" pressure gauge for commercial filter Dia. 1.2m, 1.4m, 1.6m

**89012802**  
Manometer with 2" pressure gauge for commercial filter Dia. 1.8m, 2m, 2.3m, 2.5m

### Union Set



**89280101**  
1.5" union with sight glass and O-ring



**89280102**  
1.5" union with O-ring



**89280103**  
2" union with O-ring

# VALVE

With using the best imported materials available and rigorous quality control standard, valve are made for easier and trouble-free installations. Superior quality and plumbing versatility make valve the #1 choice of pool and spa professionals.

### Features

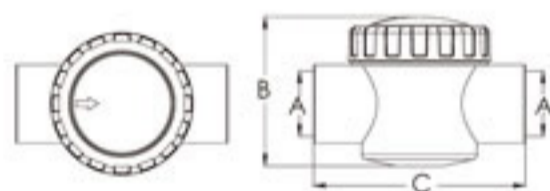
- Made of durable ABS and PVC
- Large handle for easy adjustment
- Extremely reliable and maintenance free
- Max. 4 bar working pressure
- Able to withstand extreme chemical and temperature fluctuations
- Suitable for 1.5" or 2" PVC pipe



V40-1 / V50-1

### Check Valve

Model	Code	Colour	Material	Connection
V40-1(E)	88460301	White	ABS & PVC	1.5" Metric
V50-1(E)	88460302	White	ABS & PVC	2" Metric
V40-1(A)	88460311	White	ABS & PVC	1.5" Imperial
V50-1(A)	88460312	White	ABS & PVC	2" Imperial



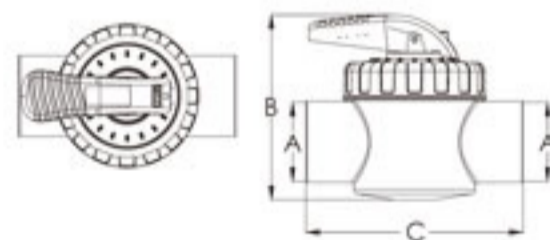
	A	B	C
1.5" Metric	Ø50	115	164
2" Metric	Ø63	129	190
1.5" Imperial	Ø48	115	164
2" Imperial	Ø60	129	190



V40-2 / V50-2

### 2 Way Valve

Model	Code	Colour	Material	Connection
V40-2(E)	88460101	White	ABS & PVC	1.5" Metric
V50-2(E)	88460102	White	ABS & PVC	2" Metric
V40-2(A)	88460111	White	ABS & PVC	1.5" Imperial
V50-2(A)	88460112	White	ABS & PVC	2" Imperial



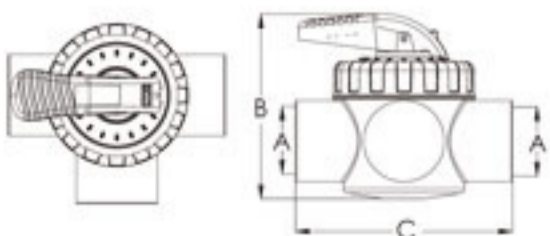
	A	B	C
1.5" Metric	Ø50	149	164
2" Metric	Ø63	161	190
1.5" Imperial	Ø48	149	164
2" Imperial	Ø60	161	190



V40-3 / V50-3

### 3 Way Valve

Model	Code	Colour	Material	Connection
V40-3(E)	88460201	White	ABS & PVC	1.5" Metric
V50-3(E)	88460202	White	ABS & PVC	2" Metric
V40-3(A)	88460211	White	ABS & PVC	1.5" Imperial
V50-3(A)	88460212	White	ABS & PVC	2" Imperial



	A	B	C
1.5" Metric	Ø50	149	164
2" Metric	Ø63	161	190
1.5" Imperial	Ø48	149	164
2" Imperial	Ø60	161	190

# E-POWER VARIABLE SPEED PUMP

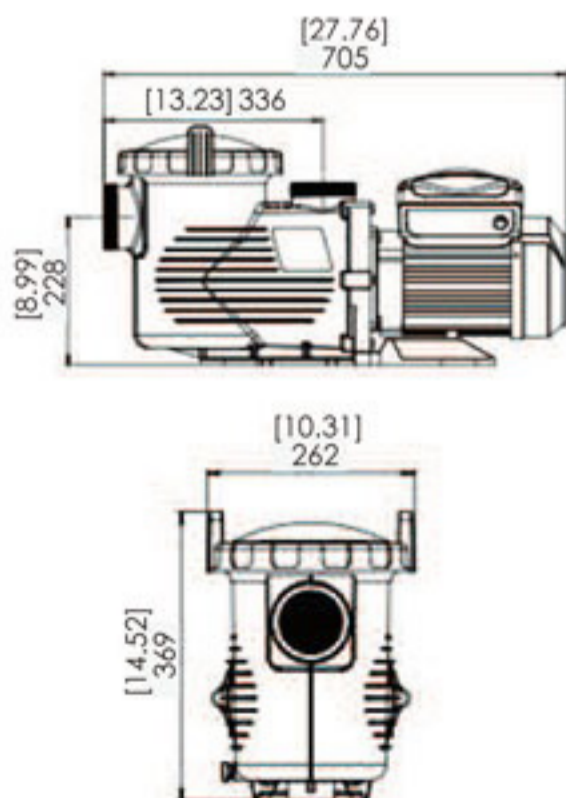


E-Power Variable Speed Pump reduces the energy usage of your pool, spa, waterfalls or fountains. The saving due to higher efficiency, provides saving from over-usage and lower equipment maintenance cost.

Traditional single speed pump runs at maximum load continuously, inefficient and high running cost compared to the Emaux EPV range. Reduced speeds provides slower water circulation rates puts less strain on the complete installation such as filter, sanitization and plumbing. It reduces the wear and tear factor ending in saving to the home owner.

## Highlight Features:

- Permanent Magnet Motor (PMM)
- Totally Enclosed Fan Cooled (TEFC)
- Material Aluminium Casing
- 5L Strainer Basket
- S.S. 316 Shaft
- S.S. 316 Mechanical Seal
- 2"/2.5" Union Connection
- IPX5 Waterproof Standard



## Energy Saving

Most of energy saving comes from the ability to program the pump and reach the ideal flow rate by scheduling the E-Power Variable Speed Pump. Power consumption reduces as pump speed and water flow reduces. Reducing the speed of your pump by half, the flow rate also drops to half, but the power consumption of the pump is reduced 85%.

Model: EPV-150

Speed (RPM)	Flow (LPM)	Efficiency (Liter/Watt)	Flow (GPM)	Efficiency (Gallon/Watt)	Power (Watt)
900	101	121	27	32	50
1500	207	95	55	25	130
2500	368	44	97	12	505
2900	417	29	110	8	850
3400	509	26	135	7	1190

## Product Information & Dimension

Model: EPV-150

Code 220V-240V 50Hz/60Hz	Model Code	Connection Size	Input Power (Max.)	Horsepower	Weight(kg)
88021107	EVP150	2 inch / 2.5 inch	1.50kW	1.5hp	23.00
88021108	EVP200	2 inch / 2.5 inch	1.80kW	2.0hp	24.00
88021109	EVP300	2 inch / 2.5 inch	2.20kW	3.0hp	25.00

## Noise Level

With the advanced hydraulic design, water moves much more efficiently and the operation is whisper quiet with the E-Power Variable Speed Pump operating at lower speeds. The Permanent Magnet Motor technology eliminates excessive motor noise; E-Power Variable Speed Pump brings you to another level of satisfaction.

## Application & Installation

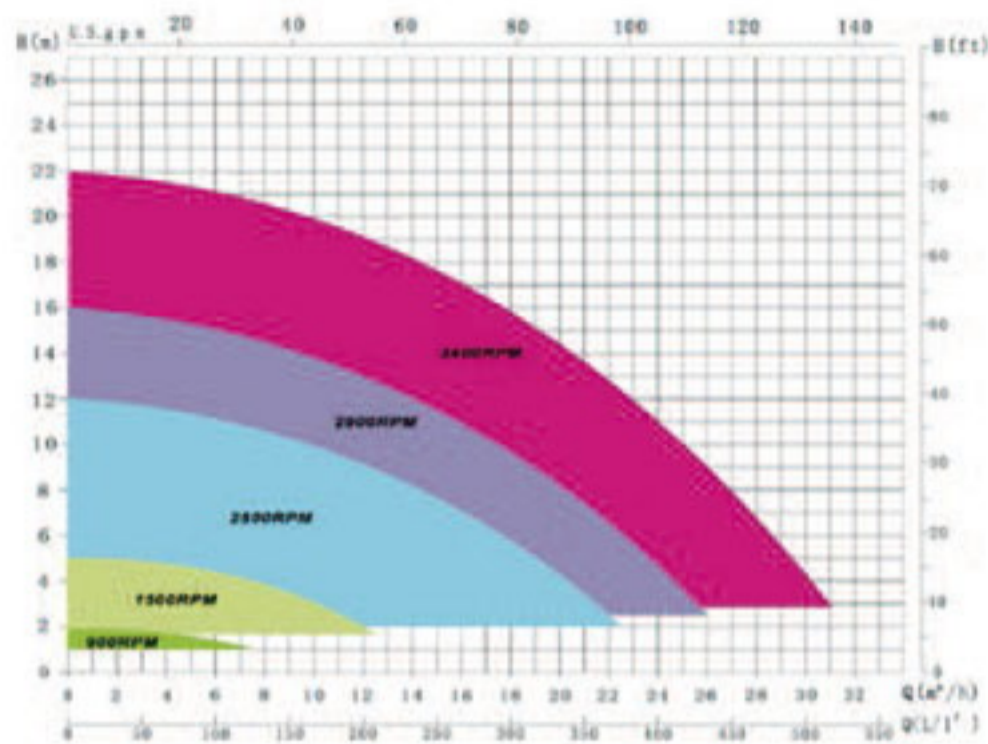
E-Power Variable Speed Pump maximizes the efficiency of your pool filtration system with the aid of the one touch controller. The presettable direct speed controller enables the homeowner to manage their usage with a press of a single button to schedule their water system with piece of mind. Crystal clear quality pool water is provided with E-Power Variable Speed Pumps.



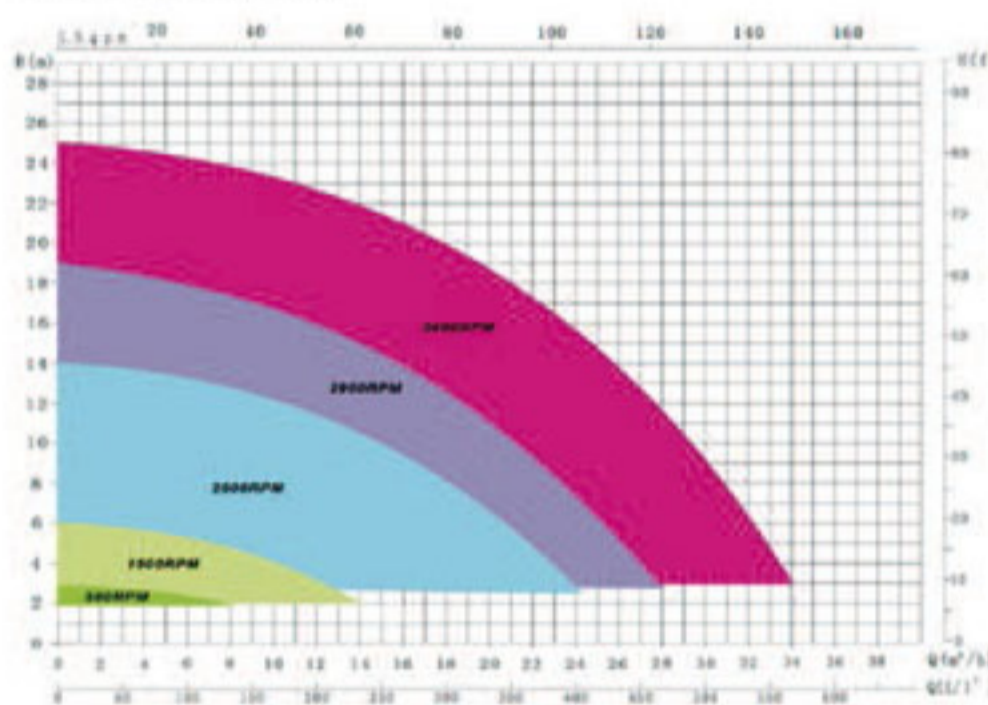
# E-POWER VARIABLE SPEED PUMP

## Technical Information

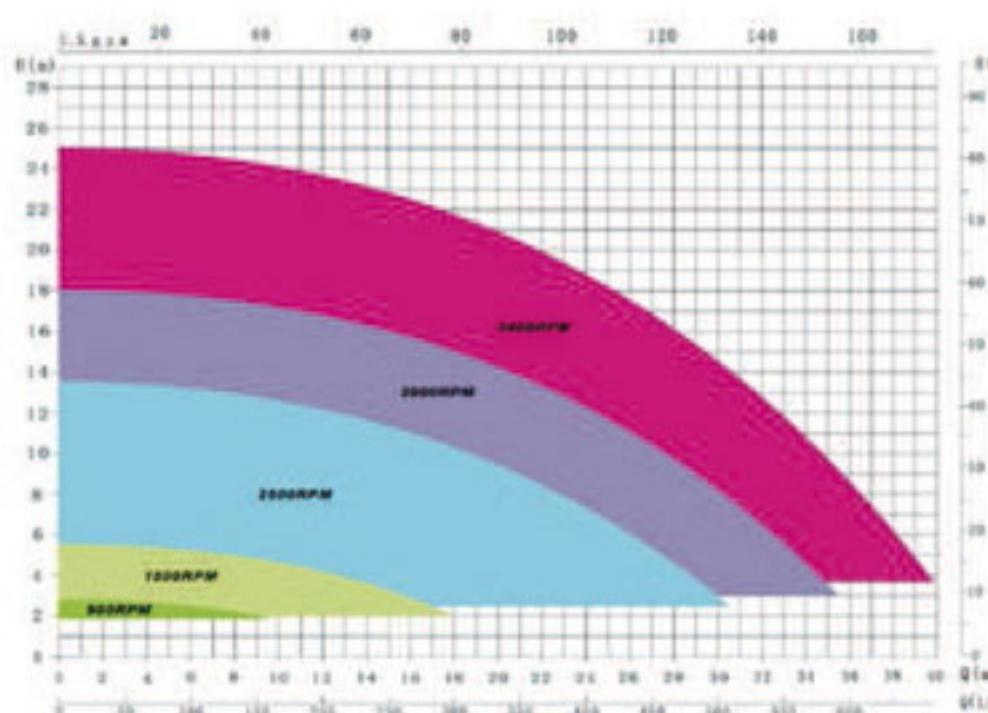
EPV150 230V-50Hz/60Hz



EPV200 230V-50Hz/60Hz



EPV300 230V-50Hz/60Hz

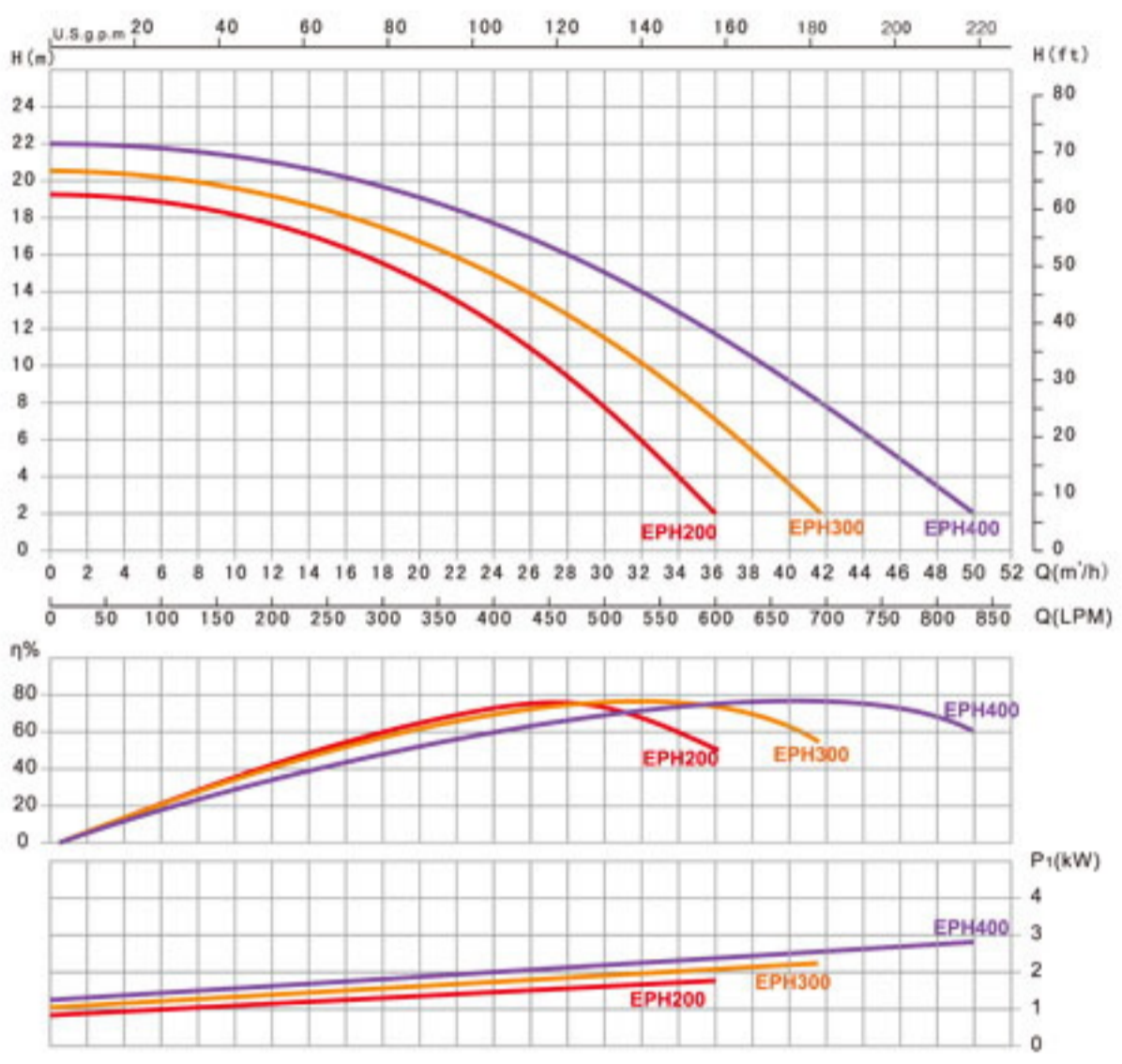


# E-POWER PUMP

E-Power heavy duty pump delivers high flow and energy efficiency ultra performance. It is suitable for commercial swimming pool. 2 inch suction and discharge port with transparent lid. Ring lock seal design to eliminate suction leaks and to maximize suction efficiency.



## Technical Information



Remarks: Flow curve information based on 220V/50Hz motor.

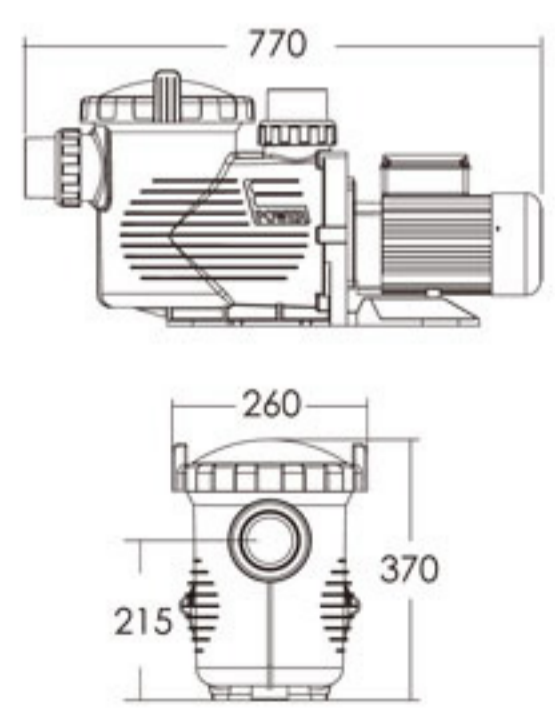
## Product Information & Dimension

Code 220V/50Hz	Code 220V/60Hz	Code 380V/50Hz	Model No	Connection Size	Input power	Horsepower	Weight(kg)
88020708	88021008	88020808	EPH200	2.0 inch 2.5 inch	1.80kW	2.0hp	23.00
88020709	88021009	88020809	EPH300	2.0 inch 2.5 inch	2.20kW	3.0hp	24.00
88020718	88021018	88020818	EPH400	2.0 inch 2.5 inch	2.80kW	4.0hp	25.00



### Highlight Features:

- Asynchronous, Two poles
- Class insulation: 130
- IPX5 Waterproof standard
- Built-in thermal protection
- Overload protection
- Available in 50Hz or 60Hz with 220V/380V
- Special design union compatible for both Imperial and Metric measurement standard
- S.S 316 Shaft
- S.S 316 Mechanical seal





# SUPER POWER VARIABLE SPEED PUMP

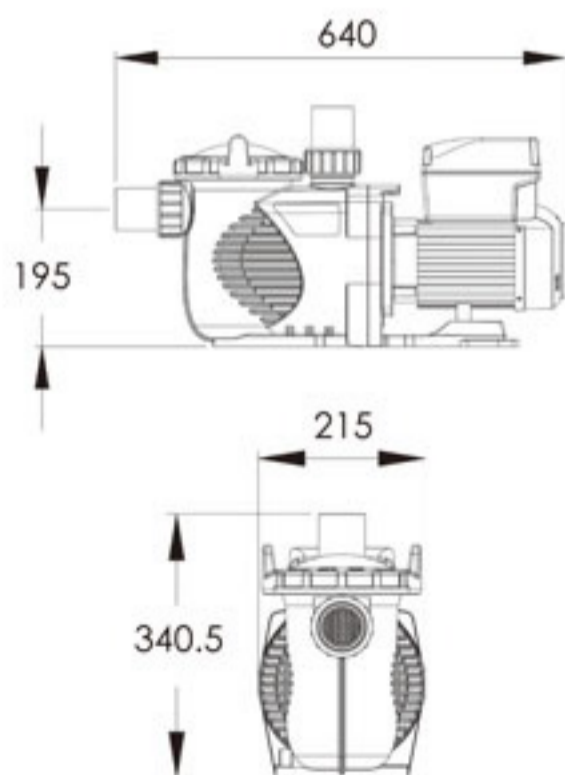


Super Power series variable speed pump is designed and manufactured to benefit the pool industry with a valuable product that pool owners will appreciate on their power bill.

The energy saving pump would widely apply on pool, spa, waterfall, and water features. It provides the best energy saving solution from over-usage and to increase efficiency and reduce maintenance cost.

## Highlight Features:

- Permanent Magnet Motor (PMM), Totally Enclosed Fan Cooled (TEFC)
- Pump casing ABS + % glass filled, Impeller PPO (SABIC) Strainer basket and base in PP + % Glass filled
- Motor shaft SS316, Seals bellows-EPDM stationary face-SiC rotating face-Graphite Spring-SS316
- Super Quiet Operation when running at the low RPM mode
- Designed and constructed to maximize the pump's hydraulic performance

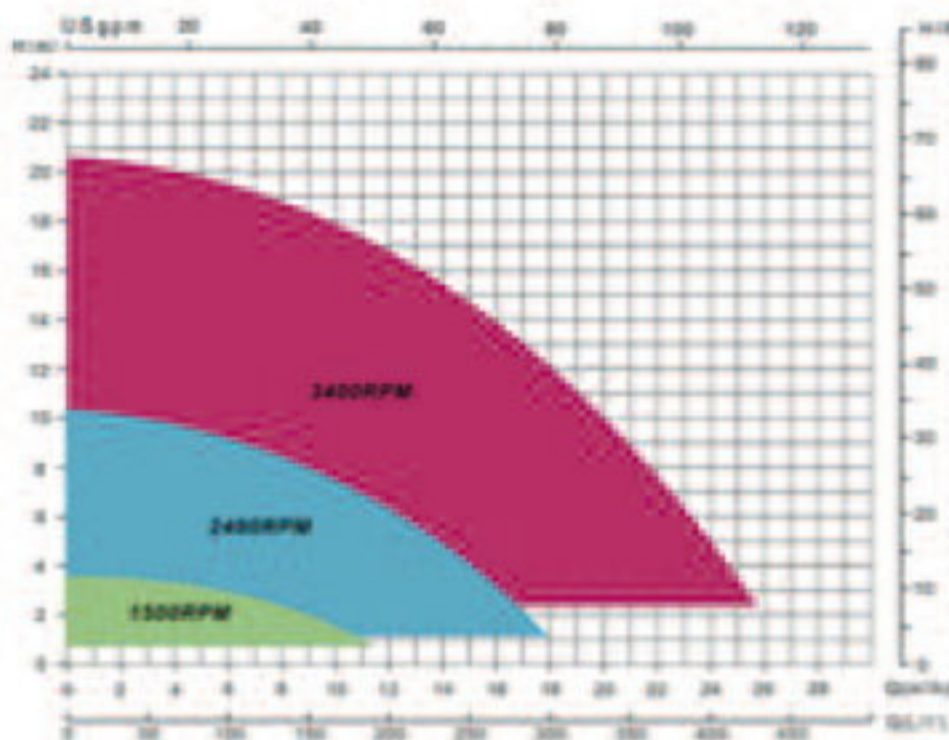


## With advanced menu

- One touch controller, the total control in your finger, pre-set speed programs, schedules, to have the most efficient pool, spa or any water feature connected.
- Compatible with the future, Discover it.

## Technical Information

SPV150 220-240V-50Hz/60Hz



## Product Information

Code	Model No	Power	Connection	Input Power	Horsepower	RPM
88029807	SPV150	220-240V, 50Hz/60Hz	1.5" ID / 2" OD 50mm ID / 63mm OD	1.3kW	1.5hp	800-3400

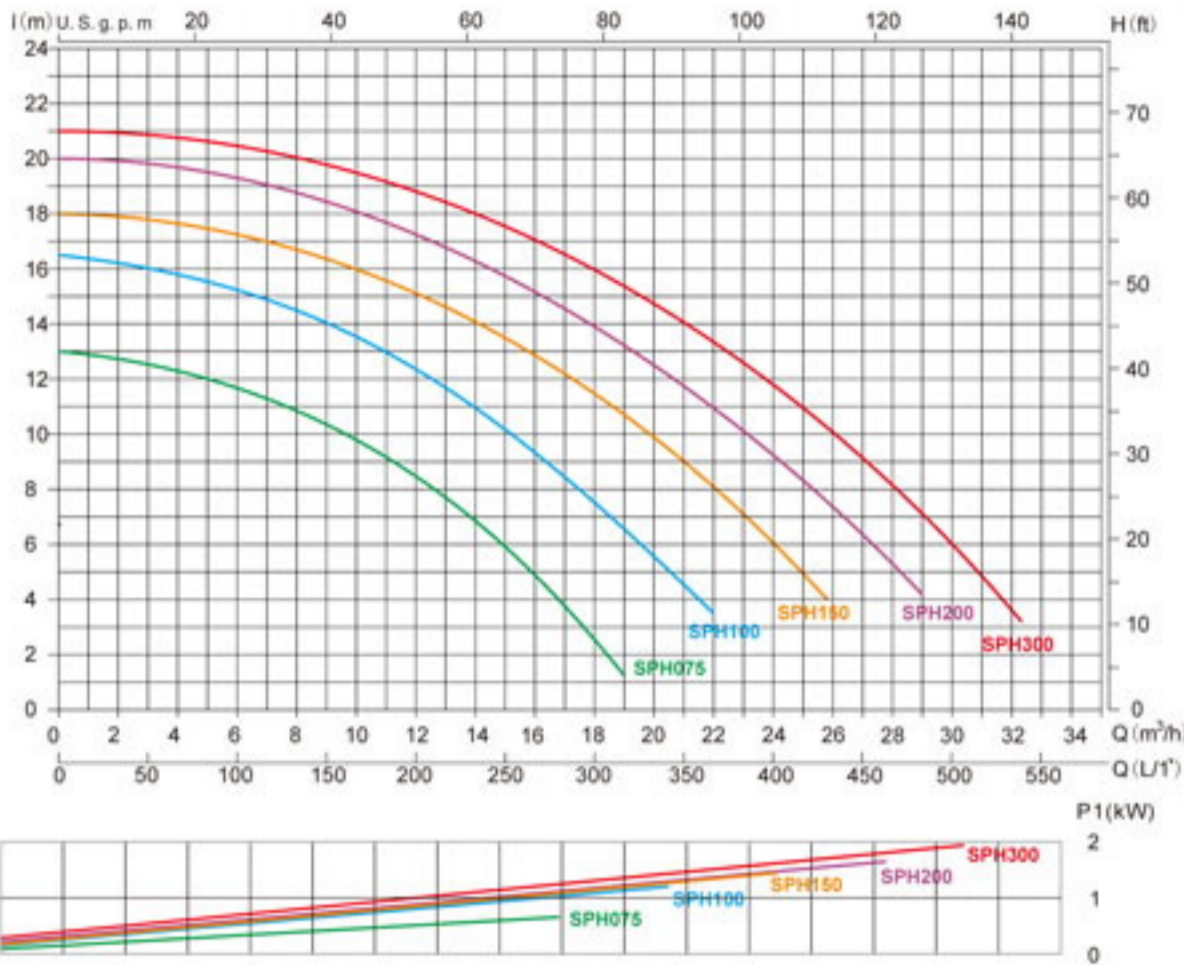


# SUPER POWER PUMP

The direct approach with the market tells us that there's a need for strong, reliable and very performing pump to suit the professionals' needs on new installations and retrofit. And we listen to our customers, the result is Super Power pump.



## Technical Information



Remarks: Flow curve information based on 220V/50Hz motor.

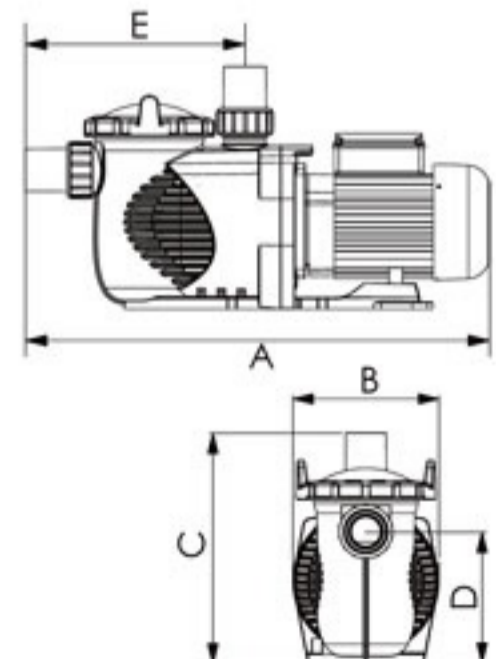


### Highlight Features:

- Direct replacement for other model pumps
- Asynchronous, two poles
- Class insulation F
- Thermal or over current protection
- Pump casing ABS + % glass filled, Impeller PPO (SABIC) Strainer basket and base in PP + % glass filled
- Motor shaft-SS316, Seals bellows-EPDM, stationary face-SiC, rotating face-Graphite, Spring-SS316
- Quiet operation 65DB@1m

## Product Information & Dimension

Code 220V/50Hz	Code 220V/60Hz	Model No	Connection Size	Input power	Horsepower	Capacitance 220V
88029604	88029704	SPH075	1.5"ID / 2"OD 50mm ID / 63mm OD	0.55kW	0.75hp	20µF
88029605	88029705	SPH100	1.5"ID / 2"OD 50mm ID / 63mm OD	0.75kW	1.0hp	25µF
88029607	88029707	SPH150	1.5"ID / 2"OD 50mm ID / 63mm OD	1.1kW	1.5hp	25µF
88029608	88029708	SPH200	1.5"ID / 2"OD 50mm ID / 63mm OD	1.5kW	2.0hp	30µF
88029609	88029709	SPH300	1.5"ID / 2"OD 50mm ID / 63mm OD	2.2kW	3.0hp	35µF

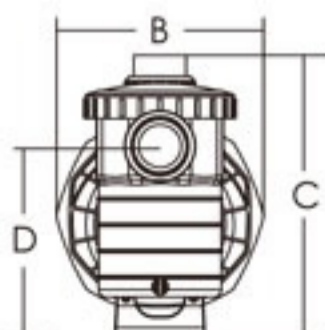
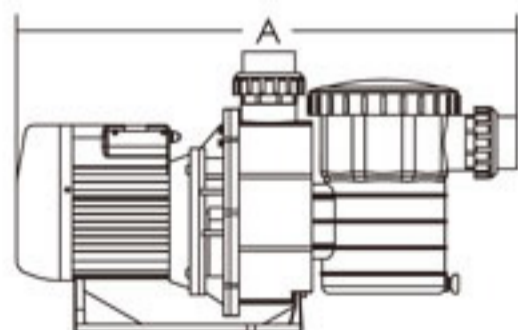


# SB SERIES PUMP



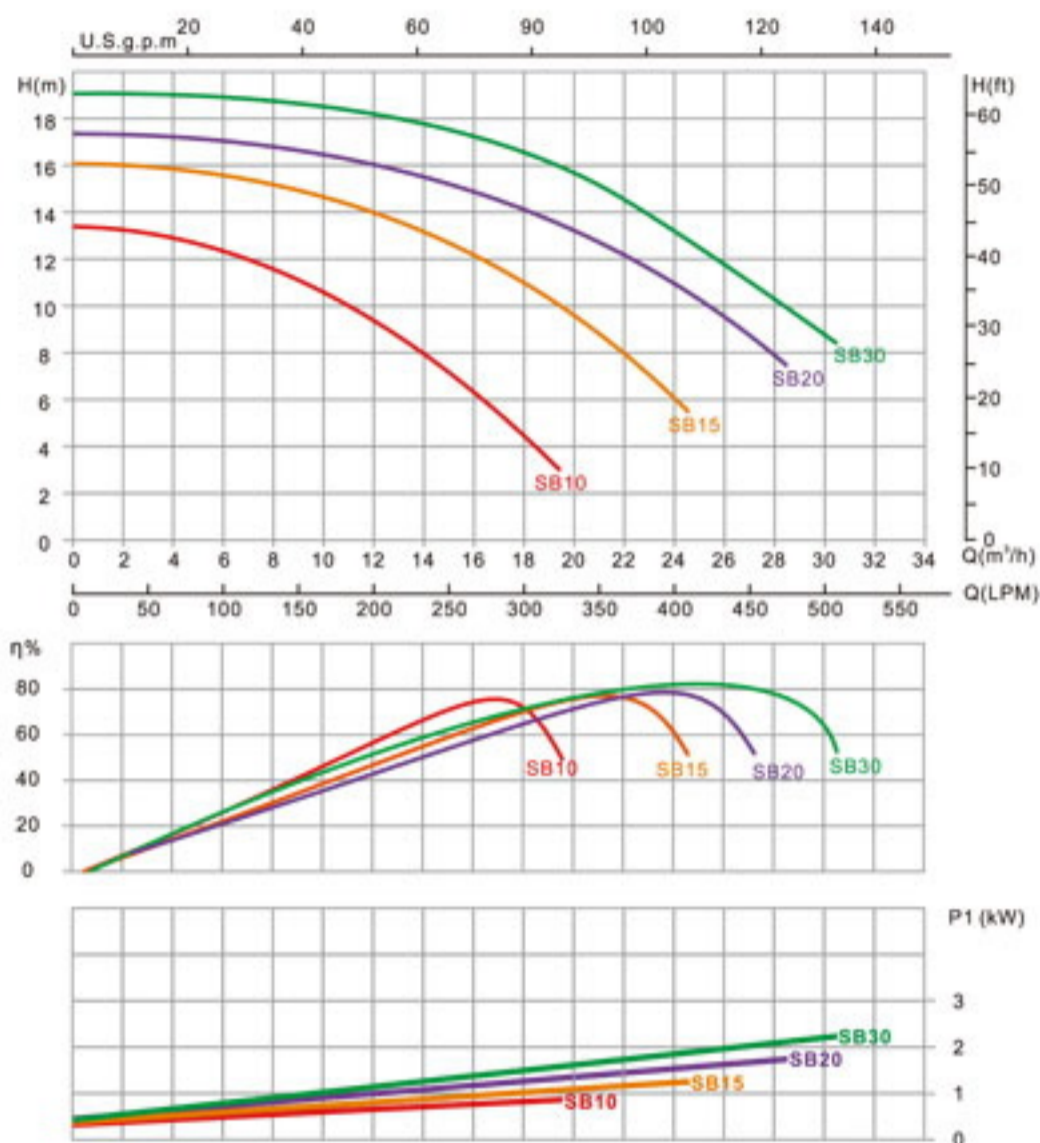
## Highlight Features:

- Asynchronous, Two poles
- Class insulation: 130
- IPX5 Waterproof standard
- Built-in thermal protection
- Overload protection
- Available in 50Hz or 60Hz with 220V/380V
- Special design union compatible for both Imperial and Metric measurement standard
- S.S 316 Shaft
- S.S 316 Mechanical seal



"SB" series heavy duty pump delivers high flow and energy efficiency ultra performance. It is suitable for commercial swimming pool. 2 inch suction and discharge port with transparent lid. Ring lock seal design to eliminate suction leaks and to maximize suction efficiency.

## Technical Information



## Product Information & Dimension

Code 220V/50Hz	Code 220V/60Hz	Code 380V/50Hz	Model No	Connection Size	Input power	Horsepower
88021305	88021405	88021605	SB10	2 inch 63mm	0.97kW	1.0hp
88021307	88021407	88021607	SB15	2 inch 63mm	1.30kW	1.5hp
88021308	88021408	88021608	SB20	2 inch 63mm	1.80kW	2.0hp
88021309	88021409	88021609	SB30	2 inch 63mm	2.18kW	3.0hp

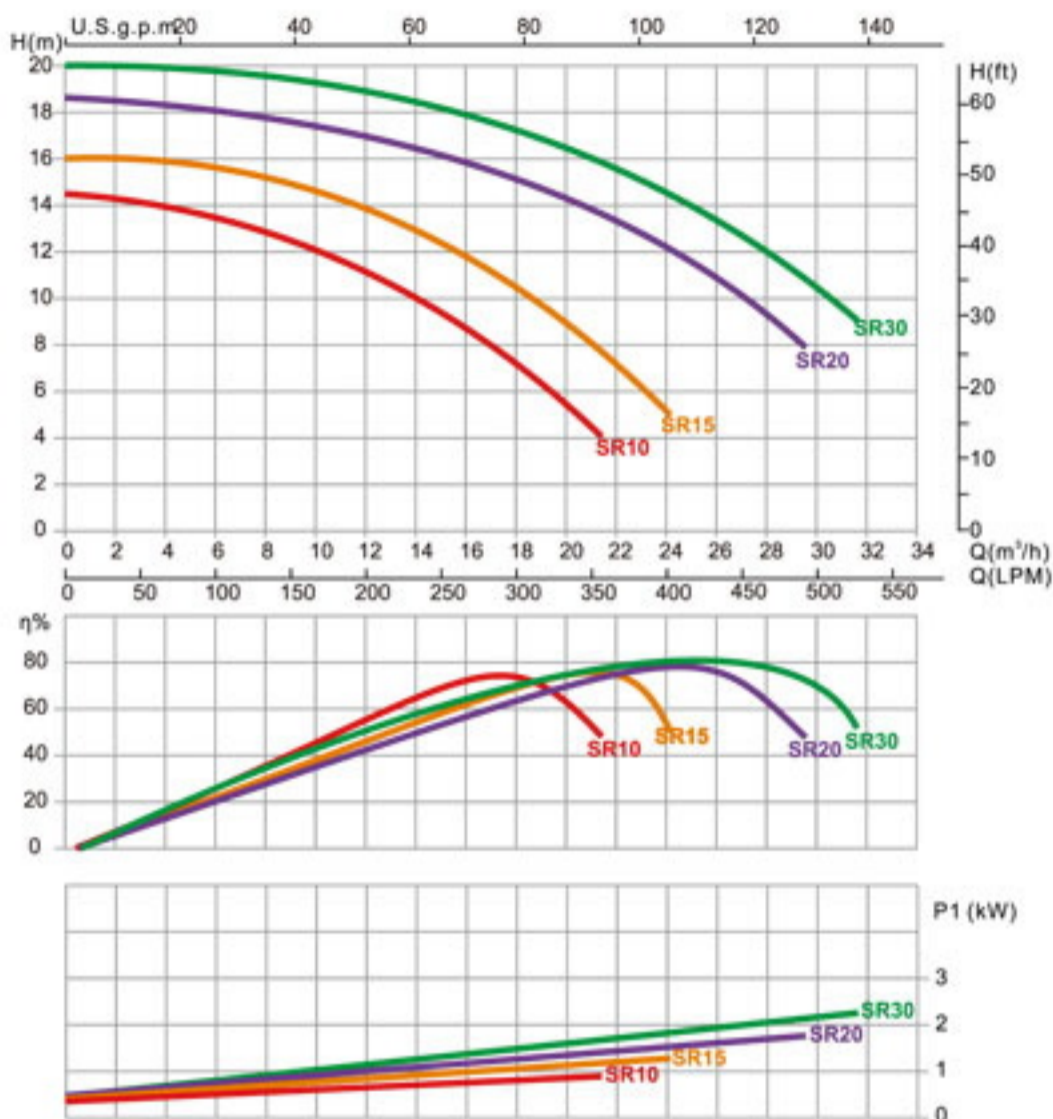
Model No	A mm	B mm	C mm	D mm	Capacitance 220V	Weight(kg)
SB10	717	275	413	248	25µF	16.00
SB15	717	275	413	248	25µF	17.00
SB20	717	275	413	248	30µF	23.00
SB30	717	275	413	248	35µF	24.00

# SR SERIES PUMP

"SR" series heavy duty pump delivers high flow and energy efficiency ultra performance. It is suitable for commercial spa pool. 2 inch suction and discharge port with transparent lid. Ring lock seal design to eliminate suction leaks and to maximize suction efficiency.



## Technical Information



Remarks: Flow curve information based on 220V/50Hz and 380V/50Hz motor.

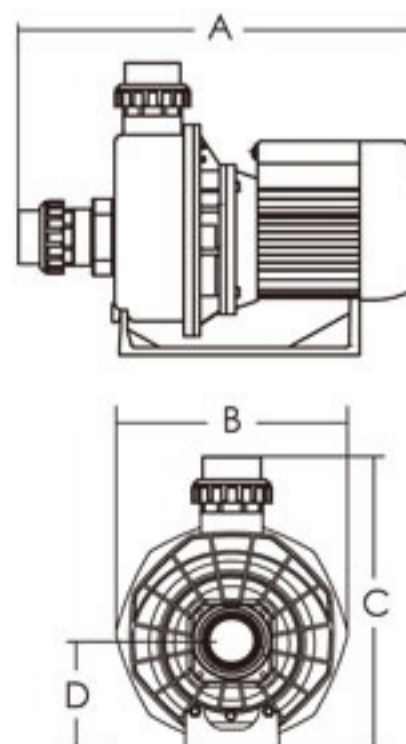
## Product Information & Dimension

Code 220V/50Hz	Code 380V/50Hz	Model No	Connection Size	Input power	Horsepower
88023605	88023905	SR10	2 inch 63mm	0.97kW	1.0hp
88023607	88023907	SR15	2 inch 63mm	1.30kW	1.5hp
88023608	88023908	SR20	2 inch 63mm	1.80kW	2.0hp
88023609	88023909	SR30	2 inch 63mm	2.18kW	3.0hp

Model No	A mm	B mm	C mm	D mm	Capacitance 220V	Weight(kg)
SR10	557	275	413	144	25μF	14.70
SR15	557	275	413	144	25μF	16.30
SR20	557	275	413	144	30μF	19.70
SR30	557	275	413	144	35μF	22.10

## Highlight Features:

- Asynchronous, Two poles
- Class insulation: 130
- IPX5 Waterproof standard
- Built-in thermal protection
- Overload protection
- External heat sink
- Available in 50Hz or 60Hz with 220V/380V/
- Special design union compatible for both Imperial and Metric measurement standard
- S.S 316 Shaft
- S.S 316 Mechanical seal



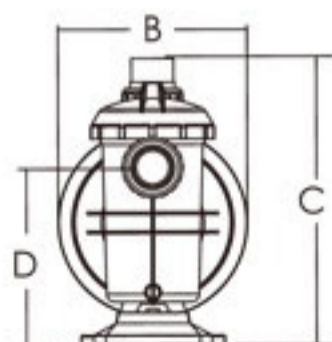
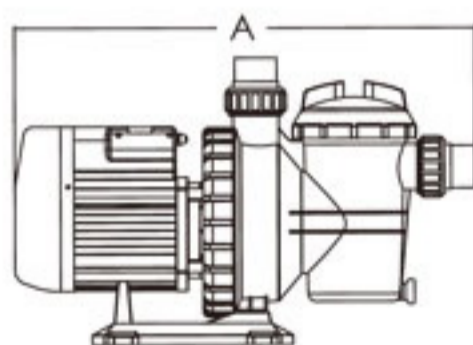
# SC SERIES PUMP



**SAA** ✓

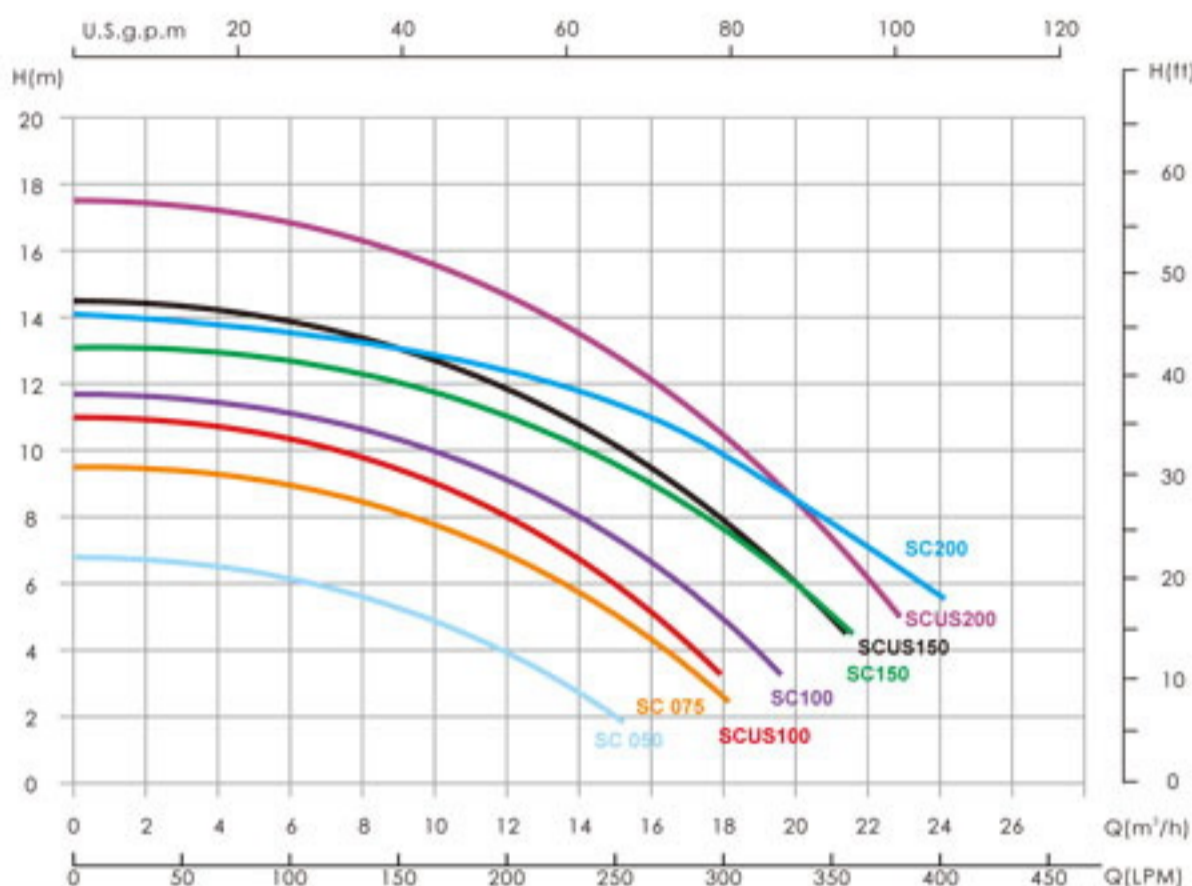
## Highlight Features:

- Asynchronous, Two poles
- Class insulation: 130
- IPX5 Waterproof standard
- Built-in thermal protection
- Overload protection
- External heat sink
- Available in 50Hz or 60Hz with 220V/110V
- Special design union compatible for both Imperial and Metric measurement standard
- S.S 316 Shaft
- S.S 316 Mechanical seal



“SC” series swimming pool pump is designed for medium head installation in medium or domestic pool. 1.5 inch suction and discharge port with transparent lid. It operates at a low decibel and easy maintenance.

## Technical Information



## Product Information & Dimension

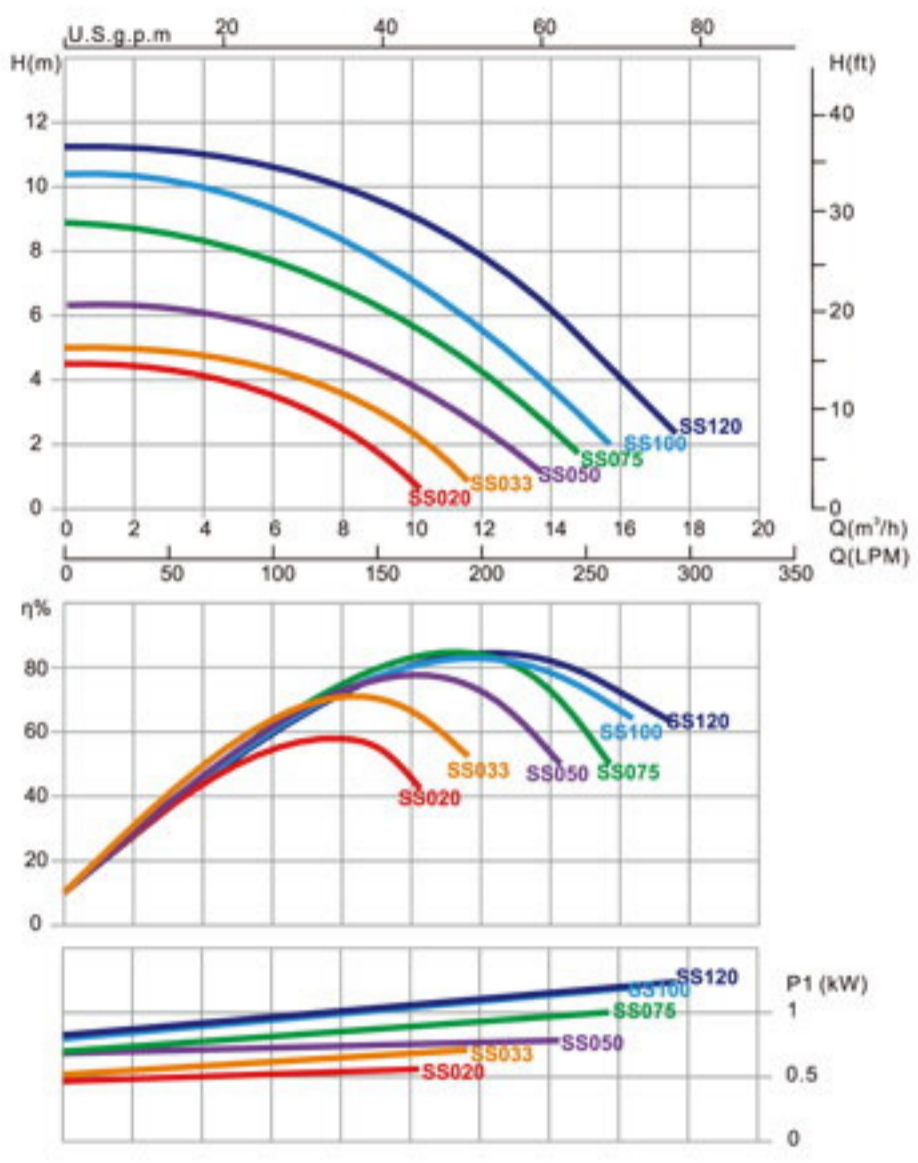
Code 220V/50Hz	Code 220V/60Hz	Code 230V/115V/60Hz	Model No	Connection Size	Input power	Horsepower
88021703	88021803	/	SC050	1.5 inch 50mm	0.51kW	0.5hp
88021704	88021804	/	SC075	1.5 inch 50mm	0.75kW	0.75hp
88021705	88021805	/	SC100	1.5 inch 50mm	0.97kW	1.0hp
88021707	88021807	/	SC150	1.5 inch 50mm	1.3kW	1.5hp
88021708	88021808	/	SC200	1.5 inch 50mm	1.71kW	2.0hp
/	/	88020605	SCUS100	1.5 inch 50mm	0.97kW	1.0hp
/	/	88020607	SCUS150	1.5 inch 50mm	1.4kW	1.5hp
/	/	88020608	SCUS200	1.5 inch 50mm	1.8kW	2.0hp

Model No	A mm	B mm	C mm	D mm	Capacitance 220V	Capacitance 110V	Capacitance 110V	Weight(kg)
SC050	600	240	370	221	14µF	40µF	/	10.4
SC075	600	240	370	221	20µF	60µF	/	12.1
SC100	600	240	370	221	25µF	90µF	/	13.4
SC150	600	240	370	221	25µF	90µF	/	14.9
SC200	600	240	370	221	30µF	90µF	/	15.4
SC100(B)	610	240	370	221	/	/	90µF	15
SC150(B)	610	240	370	221	/	/	90µF	16
SC200(B)	610	240	370	221	/	/	100µF	17.5

# SS SERIES PUMP

“SS” series swimming pool pump is designed for medium head installation in domestic pool and spa pool. 1.5 inch suction and discharge port with transparent lid. It operates at a low decibel and energy consumption which requires minimal maintenance.

## Technical Information



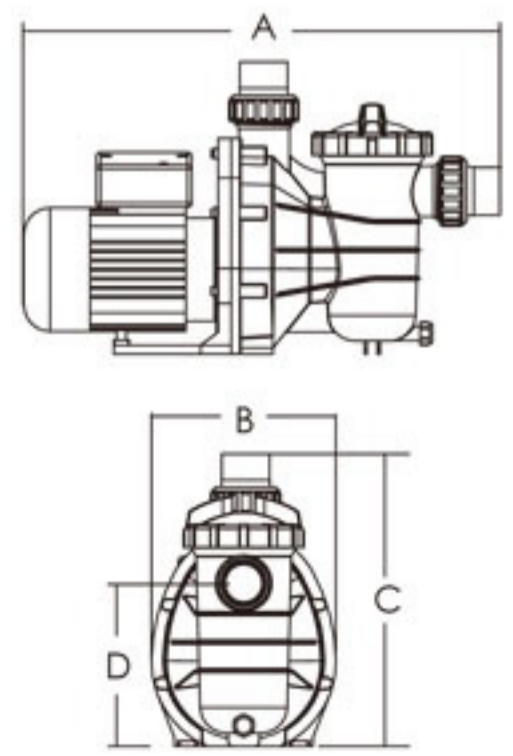
## Highlight Features:

- Asynchronous, Two poles
- Class insulation: 130
- IPX5 Waterproof standard
- Built-in thermal protection
- Overload protection
- External heat sink
- Available in 50Hz or 60Hz with 220V/110V
- Special design union compatible for both Imperial and Metric measurement standard
- S.S 316 Shaft
- S.S 316 Mechanical seal

## Product Information & Dimension

Code 220V/50Hz	Code 110V/60Hz	Model No	Connection Size	Input power	Horsepower
88022401	88022601	SS020	1.5 inch 50mm	0.28kW	0.2hp
88022402	88022602	SS033	1.5 inch 50mm	0.43kW	0.33hp
88022403	88022603	SS050	1.5 inch 50mm	0.55kW	0.50hp
88022404	88022604	SS075	1.5 inch 50mm	0.75kW	0.75hp
88022405	88022605	SS100	1.5 inch 50mm	0.90kW	1.0hp
88022406	88022606	SS120	1.5 inch 50mm	0.97kW	1.2hp

Model No	A mm	B mm	C mm	D mm	Capacitance 220V	Capacitance 110V	Weight(kg)
SS020	507	211	340	195	5µF	20µF	6.20
SS033	507	211	340	195	6µF	24µF	6.50
SS050	552	211	340	195	8µF	30µF	8.03
SS075	552	211	340	195	14µF	40µF	9.01
SS100	552	211	340	195	20µF	60µF	9.09
SS120	552	211	340	195	20µF	60µF	11.00

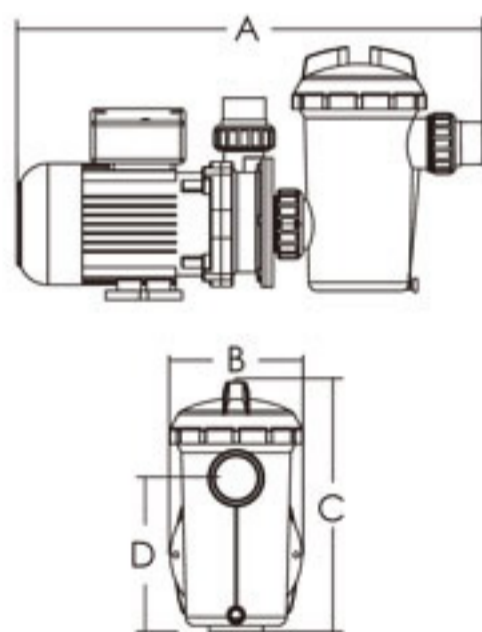


# SD SERIES PUMP



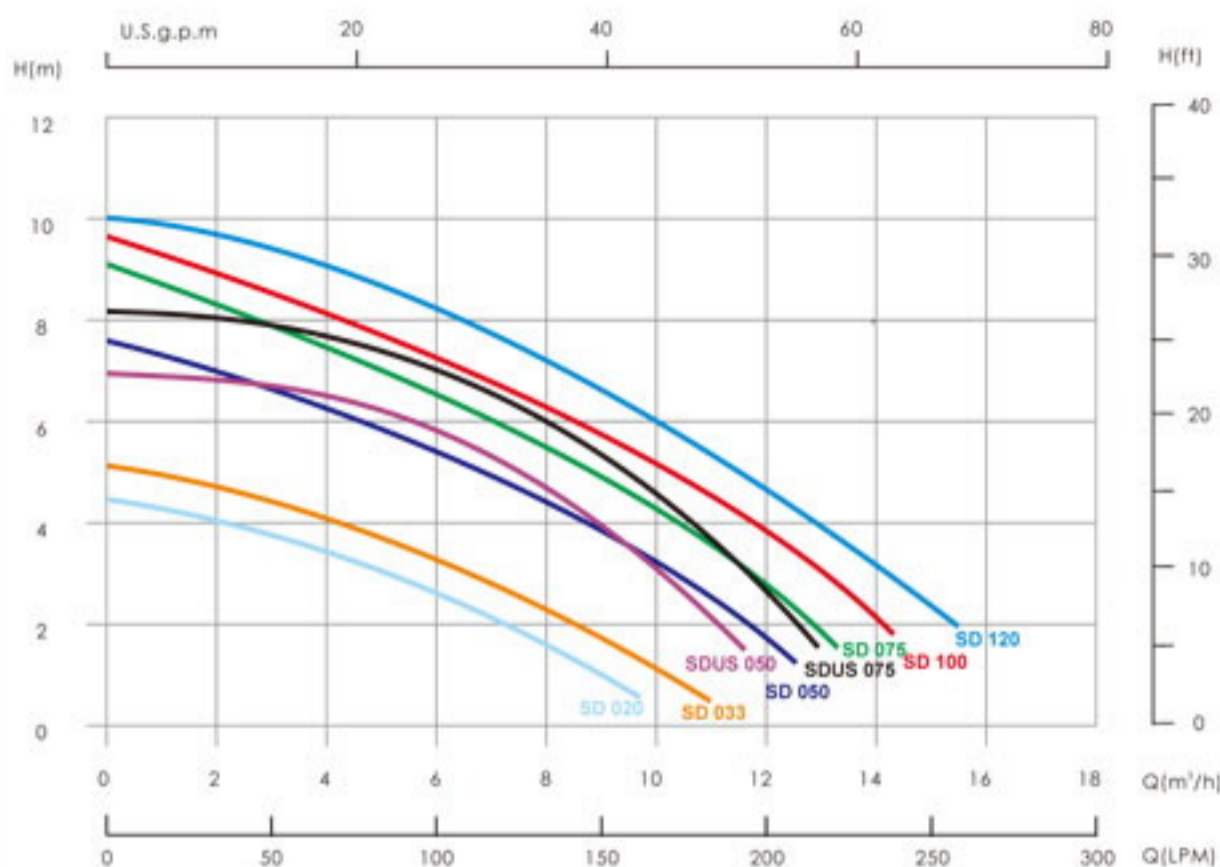
## Highlight Features:

- Asynchronous, Two poles
- Class insulation: 130
- IPX5 Waterproof standard
- Built-in thermal protection
- External heat sink
- Available in 50Hz or 60Hz with 220V/110V
- Special design union compatible for both Imperial and Metric measurement standard
- S.S 316 Shaft
- S.S 316 Mechanical seal



“SD” series pump is designed for domestic swimming pool or spa pool. 1.5 inch suction and discharge port with transparent lid. It operates at a low decibel and energy consumption which requires minimal maintenance.

## Technical Information



Remarks: Flow curve information based on 220V/50Hz motor.

## Technical Information & Dimension

Code 220V/50Hz	Code 110V/60Hz	Code 115V/60Hz	Model No	Connection Size	Input power	Horsepower
88022101	88022301	/	SD020	1.5 inch 50 mm	0.28kW	0.2hp
88022102	88022302	/	SD033	1.5 inch 50 mm	0.43kW	0.33hp
88022103	88022303	/	SD050	1.5 inch 50 mm	0.60kW	0.5hp
88022104	88022304	/	SD075	1.5 inch 50 mm	0.75kW	0.75hp
88022105	88022305	/	SD100	1.5 inch 50 mm	0.90kW	1.0hp
88022106	88022306	/	SD120	1.5 inch 50 mm	0.97kW	1.2hp
/	/	88020303	SDUS050	1.5 inch 50 mm	0.50kW	0.5hp
/	/	88020304	SDUS075	1.5 inch 50 mm	0.64kW	0.75hp

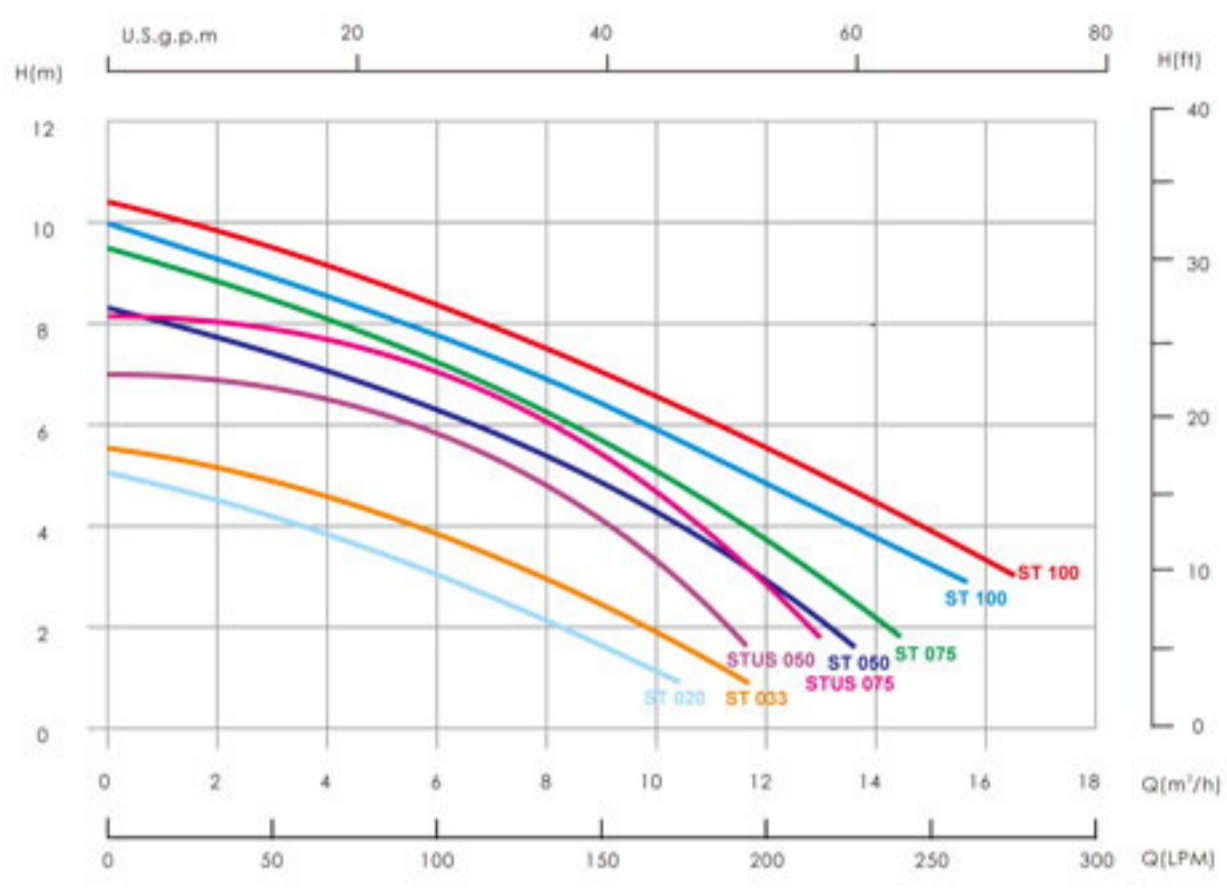
Model No	A mm	B mm	C mm	D mm	Capacitance 220V	Capacitance 110V	Capacitance 115V	Weight(kg)
SD020	510	154	278	167	5µF	20µF	/	6.2
SD033	510	154	278	167	6µF	24µF	/	6.5
SD050	555	154	291	173	8µF	30µF	/	8.0
SD075	555	154	291	173	14µF	40µF	/	9.0
SD100	555	154	291	173	20µF	60µF	/	9.1
SD120	555	154	291	173	20µF	60µF	/	11.0
SDUS050	555	154	270	173	/	/	30µF	9.0
SDUS075	555	154	270	173	/	/	30µF	10.0

# ST SERIES PUMP

"ST" series pump is designed for domestic spa pool. 1.5 inch suction and discharge port with transparent lid. It operates at a low decibel and energy consumption which requires minimal maintenance.



## Technical Information



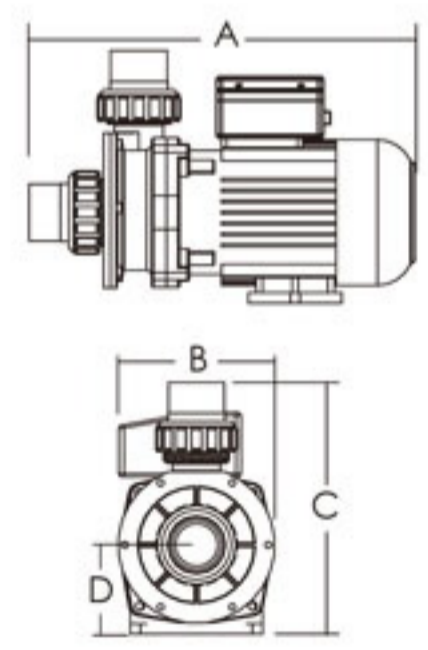
Remarks: Flow curve information based on 220V/50Hz motor.

## Highlight Features:

- Asynchronous, Two poles
- Class insulation: 130
- IPX5 Waterproof standard
- Built-in thermal protection
- External heat sink
- Available in 50Hz or 60Hz with 220V/110V
- Special design union compatible for both Imperial and Metric measurement standard
- S.S 316 Shaft
- S.S 316 Mechanical seal

## Product Information & Dimension

Code 220V/50Hz	Code 110V/60Hz	Code 115V/60Hz	Model No	Connection Size	Input power	Horsepower
88023001	88023201	/	ST020	1.5 inch 50 mm	0.28kW	0.2hp
88023002	88023202	/	ST033	1.5 inch 50 mm	0.43kW	0.33hp
88023003	88023203	/	ST050	1.5 inch 50 mm	0.55kW	0.5hp
88023004	88023204	/	ST075	1.5 inch 50 mm	0.75kW	0.75hp
88023005	88023205	/	ST100	1.5 inch 50 mm	0.90kW	1.0hp
88023006	88023206	/	ST120	1.5 inch 50 mm	0.97kW	1.2hp
/	/	88020203	STUS050	1.5 inch 50 mm	0.50kW	0.5hp
/	/	88020204	STUS075	1.5 inch 50 mm	0.64kW	0.75hp



Model No	A mm	B mm	C mm	D mm	Capacitance 220V	Capacitance 110V	Capacitance 115V	Weight(kg)
ST020	330	154	258	85	4µF	20µF	/	4.5
ST033	330	154	258	85	6µF	24µF	/	5.1
ST050	375	154	258	85	8µF	30µF	/	7.3
ST075	375	154	258	85	14µF	40µF	/	8.2
ST100	375	154	258	85	20µF	60µF	/	9.1
ST120	375	154	258	85	20µF	/	/	9.3
STUS050	375	154	258	85	/	/	30µF	9.0
STUS075	375	154	258	85	/	/	30µF	10.0



# AQUA-MINI PUMP

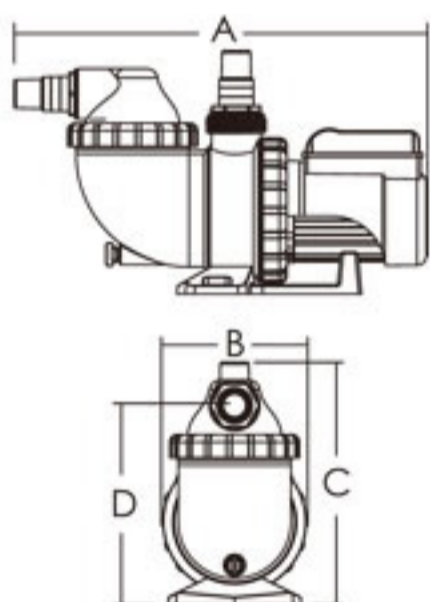


SAA



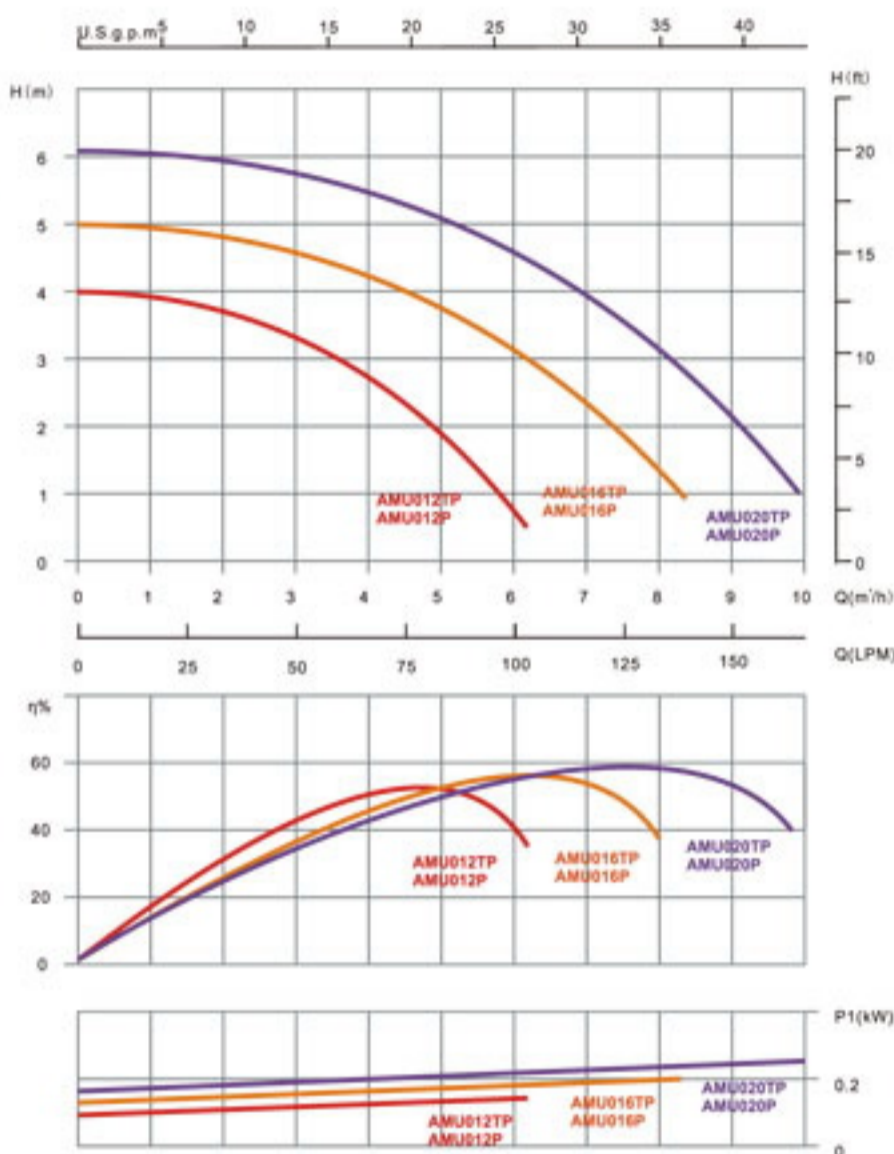
## Highlight Features:

- Asynchronous, Two poles
- Class insulation: 155
- IPX5 Waterproof standard
- Built-in thermal protection
- External heat sink
- Available in 50Hz or 60Hz with 220V/110V
- Special design union compatible for both Imperial and Metric measurement standard



"Aqua-Mini" series pump is specially designed for above-ground swimming pool. Attached with a pre-filter with transparent lid for easy maintenance. To lower the running cost, it operates at a low energy consumption and noise level. Standard connection of 1.5" with additional 1 inch adaptor for flexible vacuum hose connection.

## Technical Information



Remarks: Flow curve information based on 220V/50Hz motor.

## Product Information & Dimension

Code 220V/50Hz	Code 110V/60Hz	Code 220V/60Hz	Model No	Description	Input power	Horsepower
88028419	88028519	88028319	AMU012TP	0.12HP AQUA-MINI PUMP(with timer & pre-filter)	0.15kW	0.12hp
88027819	88027919	88027719	AMU012P	0.12HP AQUA-MINI PUMP(with pre-filter)	0.15kW	0.12hp
88028420	88028520	88028320	AMU016TP	0.16HP AQUA-MINI PUMP(with timer & pre-filter)	0.20kW	0.16hp
88027820	88027920	88027720	AMU016P	0.16HP AQUA-MINI PUMP(with pre-filter)	0.20kW	0.16hp
88028401	88028501	88028301	AMU020TP	0.20HP AQUA-MINI PUMP(with timer & pre-filter)	0.25kW	0.20hp
88027801	88027901	88027701	AMU020P	0.20HP AQUA-MINI PUMP(with pre-filter)	0.25kW	0.20hp

Model No	A mm	B mm	C mm	D mm	Filter & Pump In/Out Connections	Adaptor	Weight(kg)
AMU012TP	450.5	159.6	265	229	1.5 inch 50mm	1 inch 32 & 38mm	3.8
AMU012P	450.5	159.6	265	229	1.5 inch 50mm	1 inch 32 & 38mm	3.8
AMU016TP	450.5	159.6	265	229	1.5 inch 50mm	1 inch 32 & 38mm	4.2
AMU016P	450.5	159.6	265	229	1.5 inch 50mm	1 inch 32 & 38mm	4.2
AMU020TP	450.5	159.6	265	229	1.5 inch 50mm	1 inch 32 & 38mm	4.2
AMU020P	450.5	159.6	265	229	1.5 inch 50mm	1 inch 32 & 38mm	4.2

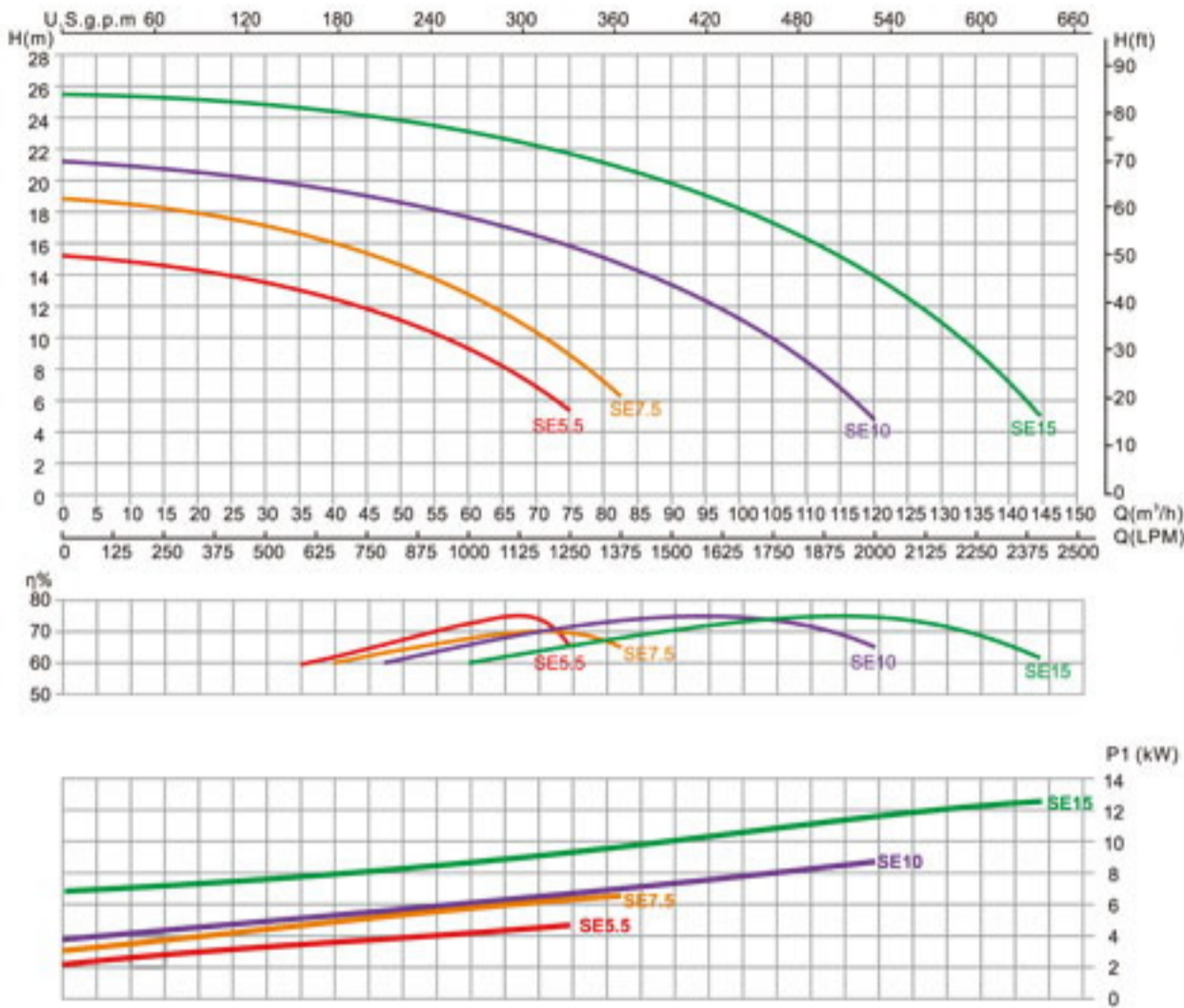
# SE SERIES COMMERCIAL PUMP

"SE" series heavy duty pump build to cater commercial usage (e.g Large-size swimming pool, spa pools, water features, etc). Cast iron body with easy to clean large strainer basket. Stainless Steel or Metal Impellers option to match your need. Available with ABB Motor.



AISI-304 Stainless Steel Impeller

## Technical Information



Remarks: Flow curve information based on 220V/50Hz motor.

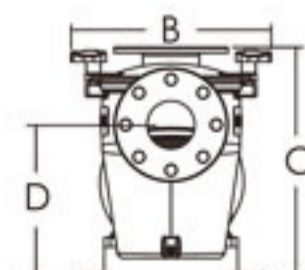
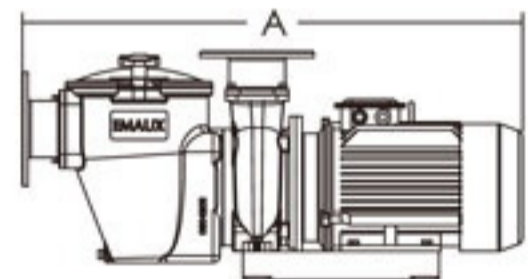
## Highlight Features:

- Asynchronous, Two poles
- Class insulation: B
- IP55 Waterproof standard
- Built-in thermal protection
- Overload protection
- Available in 380V/50Hz
- Cast Iron or AISI 304 Stainless steel impeller available

## Product Information & Dimension

Code	Model No	Output power	Horsepower	Input power	Connection Size	
88026816	SE5.5	4.0kW	5.5hp	4.7kW	3 inch	90mm
88026811	SE7.5	5.5kW	7.5hp	6.4kW	3 inch	90mm
88026812	SE10	7.5kW	10hp	8.6kW	4 inch	110mm
88026813	SE15	11.0kW	15hp	12.4kW	4 inch	110mm

Model No	A mm	B mm	C mm	D mm	Weight (kg)	Voltage (V)
SE5.5	840	335	415	170	95	380-420
SE7.5	860	335	415	170	100	380-420
SE10	915	335	445	200	118	380-420
SE15	945	335	445	200	130	380-420

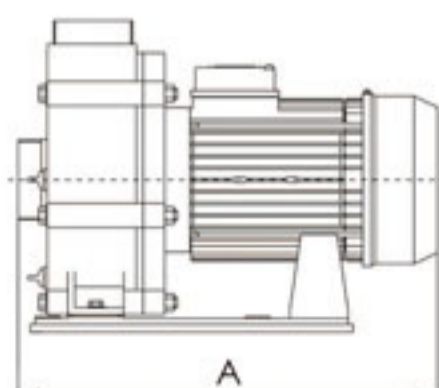
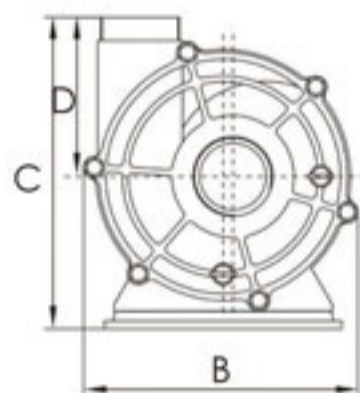


# AFS SERIES PUMP



### Highlight Features:

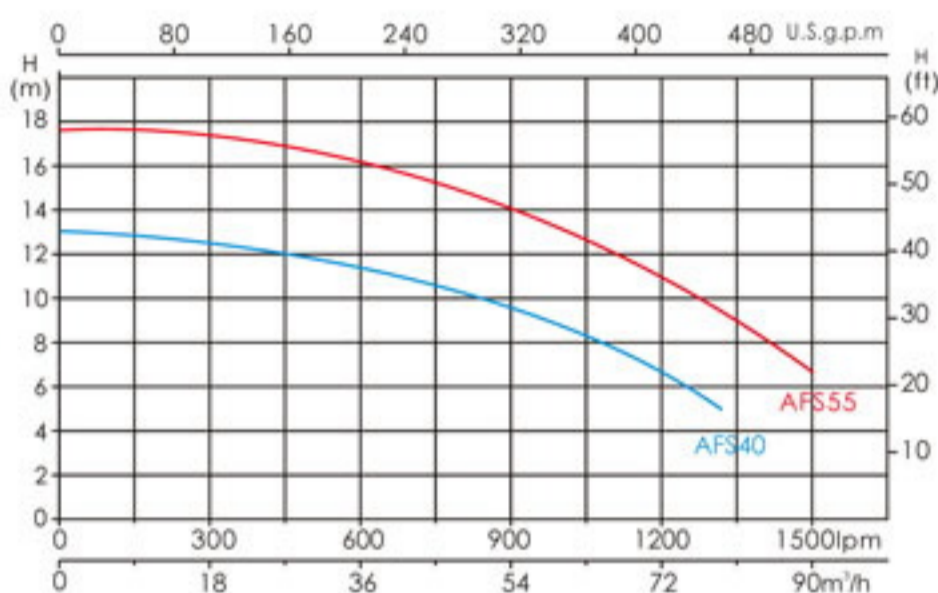
- Class insulation: F
- IPX5 Waterproof standard
- Low noise level
- Build-in thermal protection
- Stator applied by molding process with moisture resistance and heat security
- Complete separation of water and the shaft, safe and reliable
- High-quality wear-resistant mechanical seal



### AFS Series Pump

"AFS" series pump is designed for counter current system, water circulation and SPA system. High performance design provides large flow and high efficiency.

### Technical Information



### Product Information & Dimension

Model	A	B	C	D
AFS40	77	215	245	163
AFS55	77	215	245	163

Product Code 380V/50Hz	Model	Connection size(IN)	Connection size(OUT)	Input power(kW)	Horsepower
88028818	AFS40	2.5 inch	2.5 inch	3	4.0HP
88028816	AFS55	2.5 inch	2.5 inch	4	5.5HP

# AIR BLOWER

## Commercial Air blower HB10-HB20

Compact blowers for air or gas, pressure or vacuum with motors from 1 to 2 Hp (0.75 to 1.5 kW)



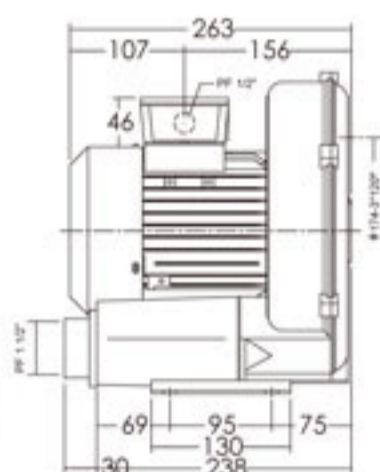
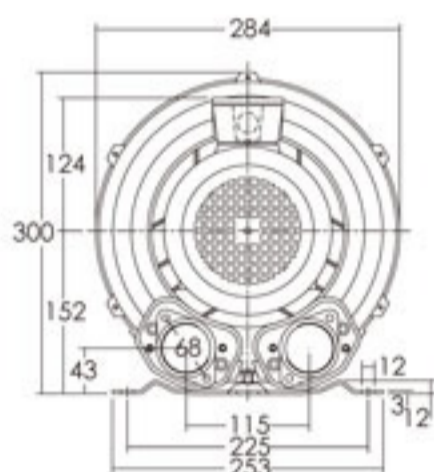
### Technical Information

Code 220V/50Hz	Model No	Rated output(kw)	Voltage(V)	Current(A)	Max volume (M <sup>3</sup> /min)	Noise (Db)	Weight (kg)
88080304	HB10	0.75	110-120	11	2.4	63	16.5
88080305	HB15	1.1	110-120	14	2.4	63	16.5
88080306	HB20	1.5	110-120	14	3.6	70	26

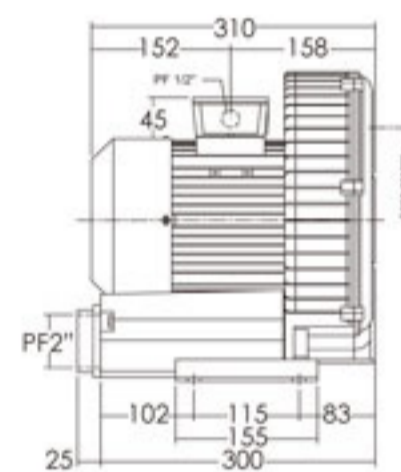
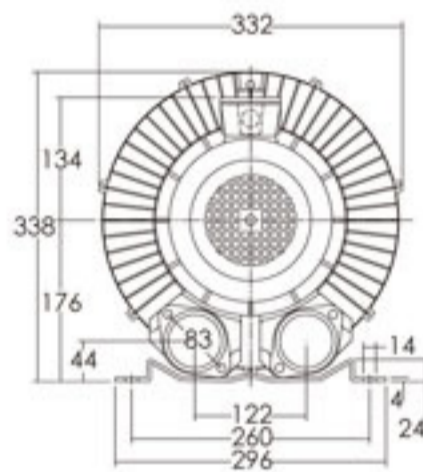
Model No	Voltage(V)	Current(A)	Static pressure Vacuum Compressor(mbar)	(Relief valve) (Pressure)(Type)	Suction filter
HB10	220-240	5.5	140/160	01*1/01*1	MF12
HB15	220-240	7.0	160/190	01*1/01*1	MF12
HB20	220-240	10	180/190	01*1/01*1	MF16

### Highlight Features:

- Continuous duty rating with quality motors
- Blowers are CE certified and can be customized for any application
- High temperature designs for up to 50°C
- Assorted coatings and platings for corrosive environments
- Available in 50Hz and 60Hz
- Available in 380V/50Hz



HB10 & HB15

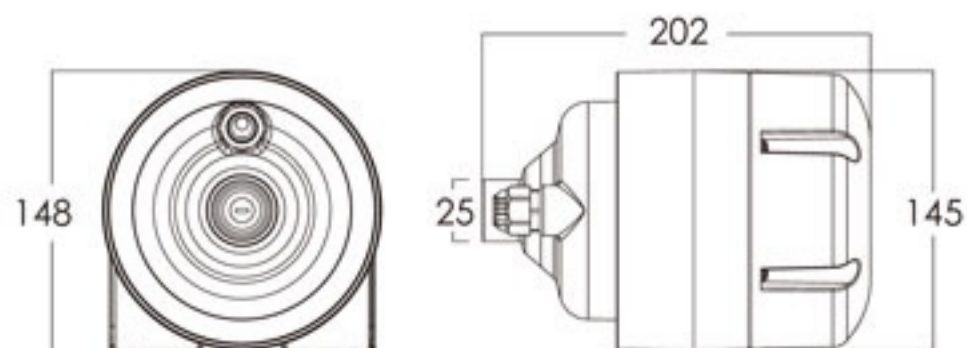


HB20

## Economy Air blower AB Series

Air blower applicable in bath tub or spa tub

Code 220V/50-60Hz	Code 110V/50-60Hz	Model No	Description
88080201	88080101	AB350	350 W Air Blower
88080202	88080102	AB450	450 W Air Blower
88080203	88080103	AB550	550 W Air Blower



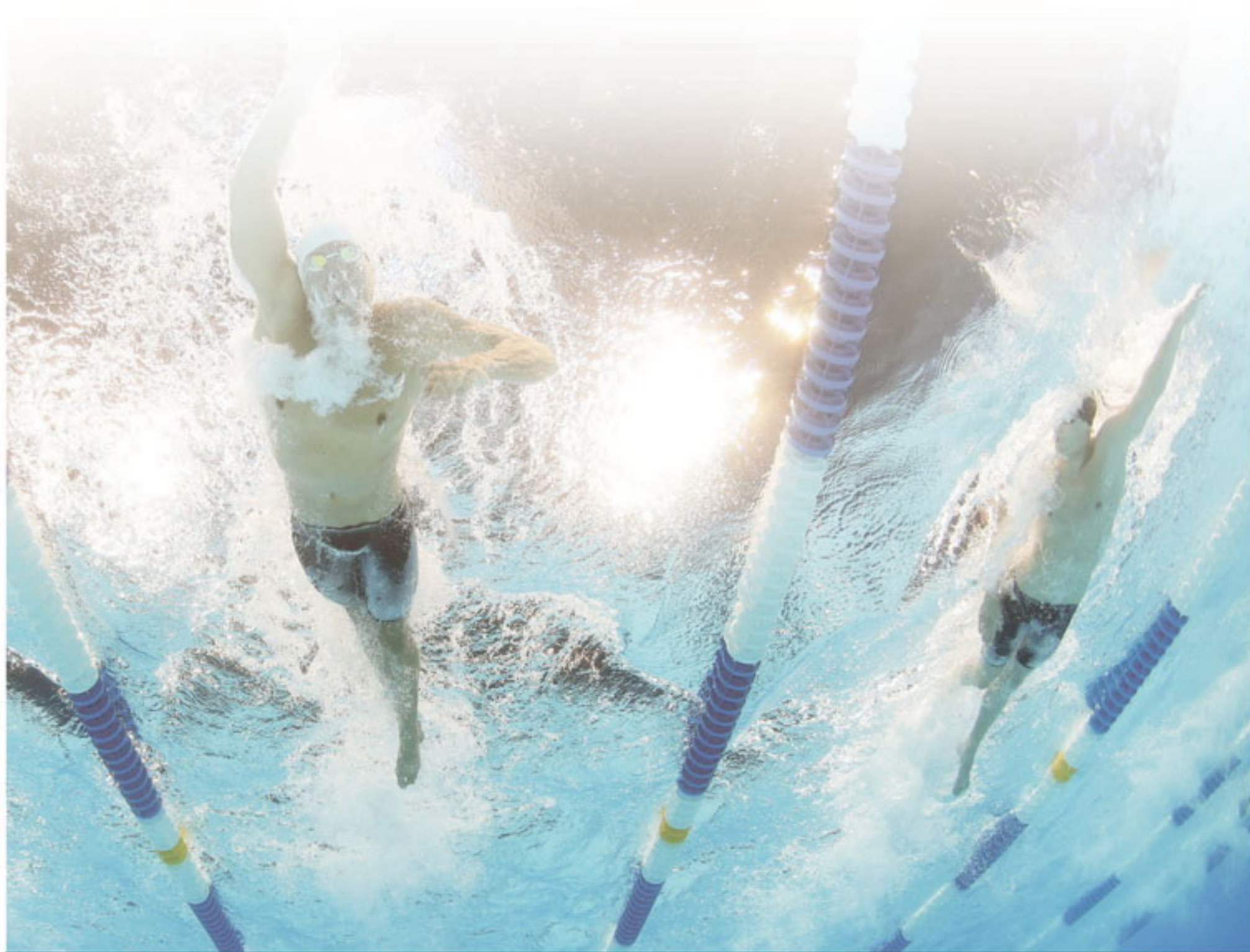
## PUMP CONTROL BOX



### Features

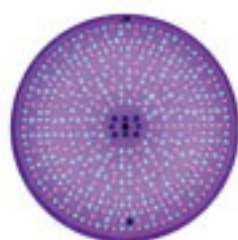
1. Maximum load of 2.2kW with power indicator
2. Suitable for Pool & Spa Pump
3. Made from durable ABS material
4. Electrical overload & leakage protection
5. Two control modes-manual mode and timer mode to control the operation time.
6. P65 rating suitable for outdoor use.

Code	Model No	Description
88330201	KZD2200	Pump Control Box 2.2kW/220V-50Hz/60Hz-AC
88330201	KZD2200	Pump Control Box 2.2kW110V-50Hz/60Hz-AC

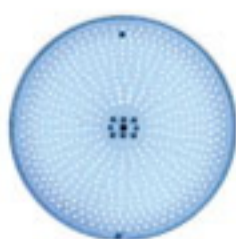


# E-LUMEN LIGHT

## Ultra-Thin 400 LED



RGB



Cool White



Warm White



Single Blue



For E-Lumen



For EL-NP300

## E-Lumen Ultra-Thin LED panel

The Ultra-Thin LED panel carries the latest LED development on the market, it has the most energy efficiency and luminous efficiency technology. The convenient plug-n-play panel kit replaces most of the underwater lights in the market, by only unscrewing few bolts of your old and energy costly light bulb with Ultra-Thin LED panel.

### Technology & Feature

1. Resin filled LED panel allows 100% water proofing
2. Ultra-Thin LED panel has 25,000 hours lifetime, 10 times more than halogen bulb
3. More brightness (lumens) for less watts
4. Cool-operating LED panel focused on producing brightness, compared to other lights that 90% of energy is wasted on their heats
5. Unlike other LED lights, Ultra-Thin LED panel keeps working even a single LED bulb goes out
6. Simple bolts fixing fittings are provided to replace PAR56 type of pool and spa underwater lights
7. European & American niches compatible

## Product Code and Specification

Code	Model No	Description	Watt/Voltage	Lumination (LUX)	Color
89045529	UltraThin-200 LED	UltraThin LED panel 20W/12V 252 leds cool white	20W/12V	450	Cool White (20000K)
89045528	UltraThin-200 LED	UltraThin LED panel 20W/12V 252 leds warm white	20W/12V	535	Warm White (4000K)
89045531	UltraThin-200 LED	UltraThin LED panel 20W/12V 252 leds single blue	20W/12V	64	Single Blue
89045530	UltraThin-200 LED	UltraThin LED panel 20W/12V 252 leds RGB	20W/12V	220	RGB - 14 Modes
89045513	UltraThin-400 LED	UltraThin LED panel 35W/12V 441 leds cool white	35W/12V	690	Cool White (20000K)
89045522	UltraThin-400 LED	UltraThin LED panel 35W/12V 441 leds warm white	35W/12V	785	Warm White (4000K)
89045523	UltraThin-400 LED	UltraThin LED panel 35W/12V 441 leds single blue	35W/12V	100	Single Blue
89045514	UltraThin-400 LED	UltraThin LED panel 35W/12V 441 leds RGB	35W/12V	372	RGB - 14 Modes
89045526	UltraThin-500 LED	UltraThin LED panel 50W/12V 531 leds cool white	50W/12V	795	Cool White (20000K)
89045524	UltraThin-500 LED	UltraThin LED panel 50W/12V 531 leds warm white	50W/12V	805	Warm White (4000K)
89045525	UltraThin-500 LED	UltraThin LED panel 50W/12V 531 leds single blue	50W/12V	222	Single Blue
89045527	UltraThin-500 LED	UltraThin LED panel 50W/12V 531 leds RGB	50W/12V	434	RGB - 14 Modes

## Complete Light Model for Ultra-Thin LED Panel



E-Lumen



EL-NP300



EL-S300



EL-H200

## Lighting effect

- E-Lumen Ultra-Thin LED panel available in color: RGB (Red, Green Blue), Warm White, Cool White, as well as Single Blue
- RGB model features 6 brilliant rich colors customized the mood of pool with owner's preference, and 8 colors pre-programmed light show delivers Dazzling Rainbow and Smooth Fading effects

# E-LUMEN LIGHT

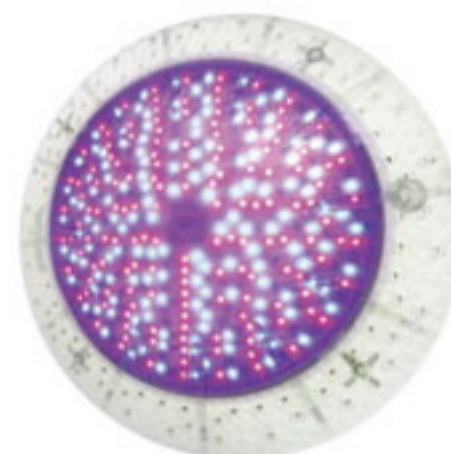
## Color Changing Options



## E-Lumen Underwater Light

With the best LED technology, Nicheless E-Lumen mounts directly on the wall for simply installation. Only required few bolts, this is the most convenience choice of professional underwater light.

- Direct wall-mount design for simple installation
- Concrete & Vinyl Pool Compatible
- Light-duty of power usage works well with any standard/ your existing transform
- EMAUX's lighting control box (RGB-CB) with remote allows you to manage the pool with an easygoing, relaxed lifestyle



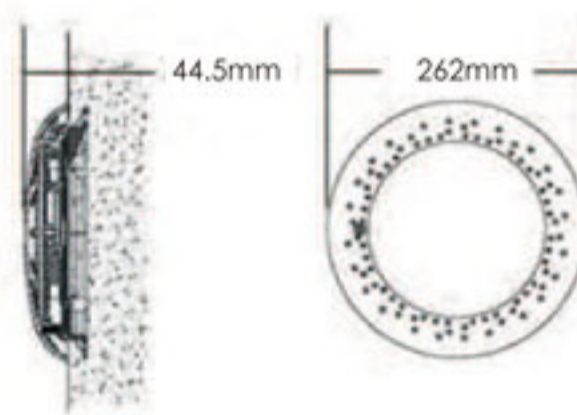
**IP68** **CE** **RoHS**  
COMPLIANT 2002/95/EC



Mounting Bracket



Mounting Plate



## Product Code and Specification

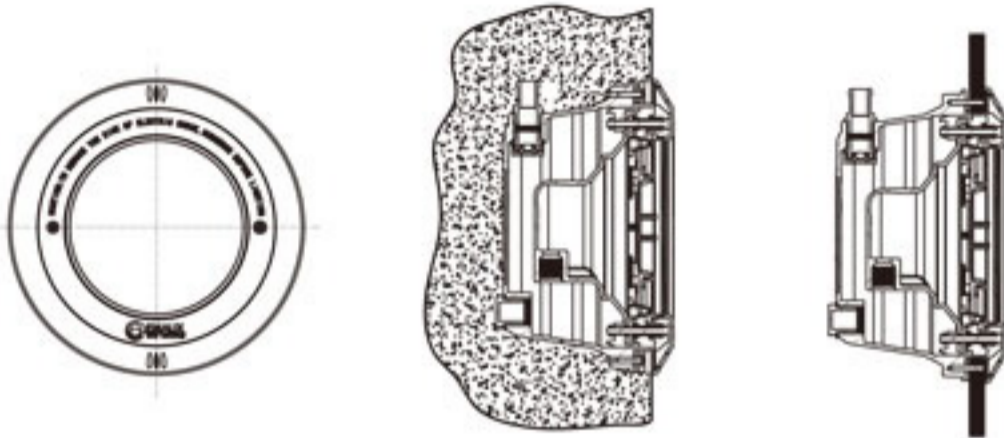
Code	Model No	Description	Watt/Voltage	Lumination (LUX)	Remarks
88045560	E-Lumen-252	Wall Mounted Light 252 leds cool white	20W/12V	346	Cool White (20000K)
88045561	E-Lumen-252	Wall Mounted Light 252 leds warm white	20W/12V	415	Warm White (4000K)
88045565	E-Lumen-252	Wall Mounted Light 252 leds single blue	20W/12V	52	Single Blue
88045559	E-Lumen-252	Wall Mounted Light 252 leds RGB	20W/12V	166	RGB - 14 Modes
88045555	E-Lumen-441	Wall Mounted Light 441 leds cool white	35W/12V	550	Cool White (20000K)
88045558	E-Lumen-441	Wall Mounted Light 441 leds warm white	35W/12V	613	Warm White (4000K)
88045566	E-Lumen-441	Wall Mounted Light 441 leds single blue	35W/12V	78	Single Blue
88045554	E-Lumen-441	Wall Mounted Light 441 leds RGB	35W/12V	273	RGB - 14 Modes
88045563	E-Lumen-531	Wall Mounted Light 531 leds cool white	50W/12V	608	Cool White (20000K)
88045564	E-Lumen-531	Wall Mounted Light 531 leds warm white	50W/12V	634	Warm White (4000K)
88045567	E-Lumen-531	Wall Mounted Light 531 leds single blue	50W/12V	158	Single Blue
88045562	E-Lumen-531	Wall Mounted Light 531 leds RGB	50W/12V	316	RGB - 14 Modes

## E-LUMEN LIGHT

EL-NP300  
Stainless SteelEL-NP300  
Plastic

## EL-NP300 Series Underwater Light

EL-NP300 combines E-Lumen Ultra-Thin LED panel with high strength and corrosive resistant plastic niches. EL-NP300 models feature the high-power Ultra-Thin LED panel to replace the former PAR56 light bulb.



## Product Code and Specification

Code	Model No	Description	Watt/Voltage	Lumination (LUX)	Remarks
88045660	EL-NP300P-252	Plastic Light with Housing, 252 leds cool white	20W/12V	450	Cool White (20000K)
88045661	EL-NP300P-252	Plastic Light with Housing, 252 leds warm white	20W/12V	535	Warm White (4000K)
88045665	EL-NP300P-252	Plastic Light with Housing, 252 leds single blue	20W/12V	100	Single Blue
88045659	EL-NP300P-252	Plastic Light with Housing, 252 leds RGB	20W/12V	222	RGB - 14 Modes
88045760	EL-NP300S-252	Plastic Light with Housing, S/S Face ring, 252 leds cool white	20W/12V	450	Cool White (20000K)
88045761	EL-NP300S-252	Plastic Light with Housing, S/S Face ring, 252 leds warm white	20W/12V	535	Warm White (4000K)
88045765	EL-NP300S-252	Plastic Light with Housing, S/S Face ring, 252 leds single blue	20W/12V	100	Single Blue
88045759	EL-NP300S-252	Plastic Light with Housing, S/S Face ring, 252 leds RGB	20W/12V	222	RGB - 14 Modes
88045655	EL-NP300P-441	Plastic Light with Housing, 441 leds cool white	35W/12V	690	Cool White (20000K)
88045658	EL-NP300P-441	Plastic Light with Housing, 441 leds warm white	35W/12V	785	Warm White (4000K)
88045666	EL-NP300P-441	Plastic Light with Housing, 441 leds single blue	35W/12V	100	Single Blue
88045654	EL-NP300P-441	Plastic Light with Housing, 441 leds RGB	35W/12V	372	RGB - 14 Modes
88045755	EL-NP300S-441	Plastic Light with Housing, S/S Face ring, 441 leds cool white	35W/12V	690	Cool White (20000K)
88045758	EL-NP300S-441	Plastic Light with Housing, S/S Face ring, 441 leds warm white	35W/12V	785	Warm White (4000K)
88045766	EL-NP300S-441	Plastic Light with Housing, S/S Face ring, 441 leds single blue	35W/12V	100	Single Blue
88045754	EL-NP300S-441	Plastic Light with Housing, S/S Face ring, 441 leds RGB	35W/12V	372	RGB - 14 Modes
88045663	EL-NP300P-531	Plastic Light with Housing, 531 leds cool white	50W/12V	795	Cool White (20000K)
88045664	EL-NP300P-531	Plastic Light with Housing, 531 leds warm white	50W/12V	805	Warm White (4000K)
88045667	EL-NP300P-531	Plastic Light with Housing, 531 leds single blue	50W/12V	222	Single Blue
88045662	EL-NP300P-531	Plastic Light with Housing, 531 leds RGB	50W/12V	434	RGB - 14 Modes
88045763	EL-NP300S-531	Plastic Light with Housing, S/S Face ring, 531 leds cool white	50W/12V	795	Cool White (20000K)
88045764	EL-NP300S-531	Plastic Light with Housing, S/S Face ring, 531 leds warm white	50W/12V	805	Warm White (4000K)
88045767	EL-NP300S-531	Plastic Light with Housing, S/S Face ring, 531 leds single blue	50W/12V	222	Single Blue
88045762	EL-NP300S-531	Plastic Light with Housing, S/S Face ring, 531 leds RGB	50W/12V	434	RGB - 14 Modes





**EL-S300 Series Underwater Light**

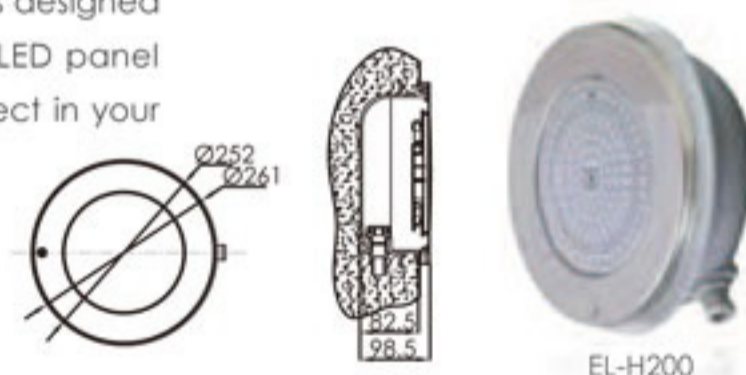
Thanks to the Ultra-Thin LED panel, EL-S300 has simple installations. E-Lumen S300 combined the solid stainless steel niche with non-corrosive feature for long lifetime usage. Weldless stainless steel niche design provides the highest intensity while other competitor's welded lightings have high risk of being damage after long used.

Colors available in Warm Light (4000k), White Light (20000k), Blue Light, and RGB Color Light.

Code	Model No	Description	Watt/Voltage	Lumination (LUX)	Remarks
88045860	EL-S300-252	S/S 304 Light with Housing, 252 leds cool white	20W/12V	450	Cool White (20000K)
88045861	EL-S300-252	S/S 304 Light with Housing, 252 leds warm white	20W/12V	535	Warm White (4000K)
88045865	EL-S300-252	S/S 304 Light with Housing, 252 leds single blue	20W/12V	64	Single Blue
88045859	EL-S300-252	S/S 304 Light with Housing, 252 leds RGB	20W/12V	220	RGB - 14 Modes
88045855	EL-S300-441	S/S 304 Light with Housing, 441 leds cool white	35W/12V	690	Cool White (20000K)
88045858	EL-S300-441	S/S 304 Light with Housing, 441 leds warm white	35W/12V	785	Warm White (4000K)
88045866	EL-S300-441	S/S 304 Light with Housing, 441 leds single blue	35W/12V	100	Single Blue
88045854	EL-S300-441	S/S 304 Light with Housing, 441 leds RGB	35W/12V	372	RGB - 14 Modes
88045863	EL-S300-531	S/S 304 Light with Housing, 531 leds cool white	50W/12V	795	Cool White (20000K)
88045864	EL-S300-531	S/S 304 Light with Housing, 531 leds warm white	50W/12V	805	Warm White (4000K)
88045867	EL-S300-531	S/S 304 Light with Housing, 531 leds single blue	50W/12V	222	Single Blue
88045862	EL-S300-531	S/S 304 Light with Housing, 531 leds RGB	50W/12V	434	RGB - 14 Modes

**EL-H200 Series Underwater Light**

This round shaped light is a combination of stainless steel face ring and slim plastic niche to achieve the simplicity yet elegant. The slim niche is designed to fit any pool structure with thin concrete wall. With Ultra-Thin LED panel the EL-H200 offers a smooth front plate but a superior lighting effect in your swimming pool.



**Product Code and Specification**

Code	Model No	Description	Watt/Voltage	Lumination (LUX)	Remarks
88046460	EL-H200-252	S/S 304 Light with Housing, 252 leds cool white	20W/12V	450	Cool White (20000K)
88046461	EL-H200-252	S/S 304 Light with Housing, 252 leds warm white	20W/12V	535	Warm White (4000K)
88046465	EL-H200-252	S/S 304 Light with Housing, 252 leds single blue	20W/12V	64	Single Blue
88046459	EL-H200-252	S/S 304 Light with Housing, 252 leds RGB	20W/12V	222	RGB - 14 Modes
88046455	EL-H200-441	S/S 304 Light with Housing, 441 leds cool white	35W/12V	690	Cool White (20000K)
88046458	EL-H200-441	S/S 304 Light with Housing, 441 leds warm white	35W/12V	785	Warm White (4000K)
88046466	EL-H200-441	S/S 304 Light with Housing, 441 leds single blue	35W/12V	100	Single Blue
88046454	EL-H200-441	S/S 304 Light with Housing, 441 leds RGB	35W/12V	372	RGB - 14 Modes
88046463	EL-H200-531	S/S 304 Light with Housing, 531 leds cool white	50W/12V	795	Cool White (20000K)
88046464	EL-H200-531	S/S 304 Light with Housing, 531 leds warm white	50W/12V	805	Warm White (4000K)
88046467	EL-H200-531	S/S 304 Light with Housing, 531 leds single blue	50W/12V	222	Single Blue
88046462	EL-H200-531	S/S 304 Light with Housing, 531 leds RGB	50W/12V	434	RGB - 14 Modes

## E-LUMEN COMPACT LIGHT



E-Lumen Compact carries the latest resin-filled LED panel in the market, has the most energy efficiency and luminous efficiency technology. The E-Lumen Compact has 2 different setting. The nicheless version is designed for Fiberglass pool or the Steel panel pool with liner, while the niche version is suitable for concrete installation.

### Technology & Feature

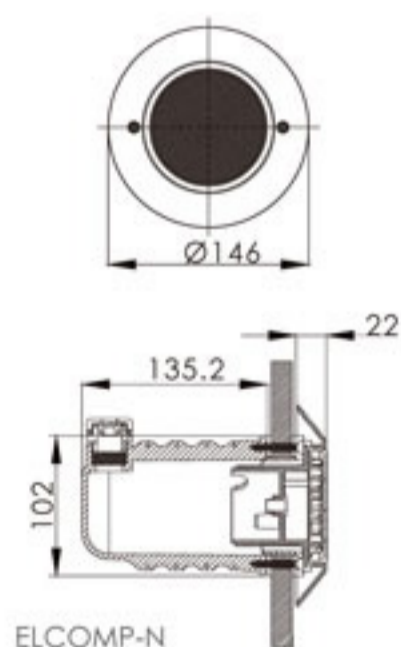
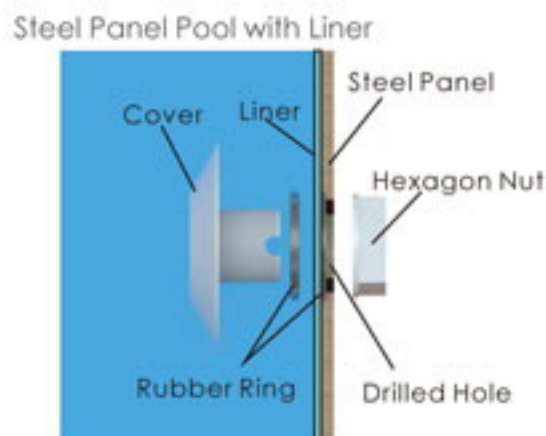
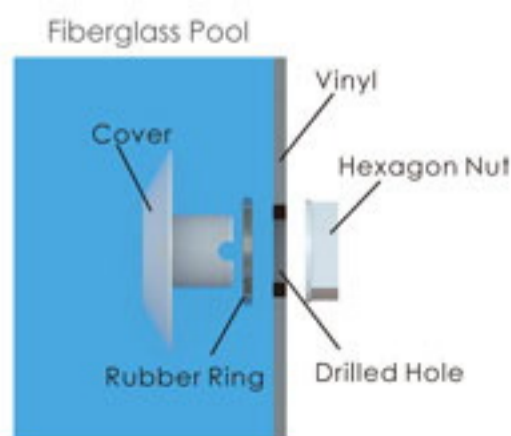
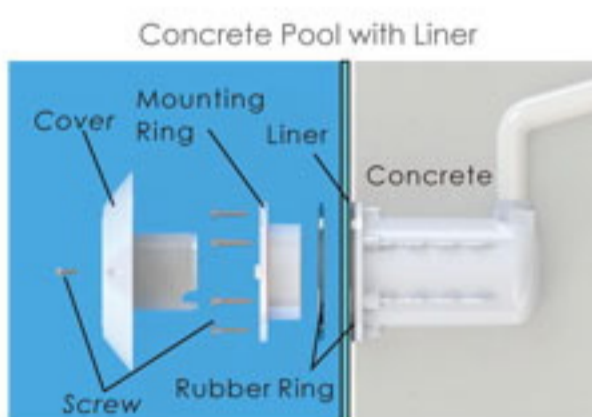
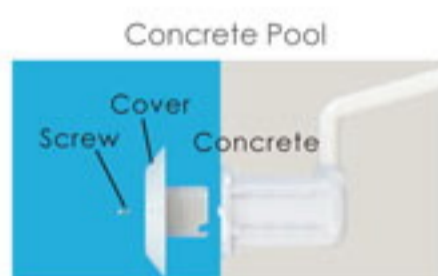
1. Resin-filled LED panel allows 100% water proofing
2. Concrete, Vinyl Pool, Fiberglass Pool & Liner Pool Compatible
3. Durable ABS structure with high quality PC transparent lid
4. IP 68 Waterproof Standard



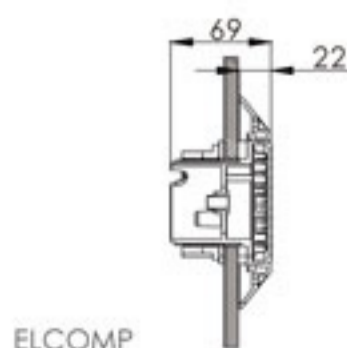
### Product Code & Specification

Code	Model No	Description	Watt/Voltage	Lumination (LUX)	Remarks
88048379	ELCOMP-N	Plastic Light with Housing, 99 LEDs RGB	10W/12V	90	RGB
88048380	ELCOMP-N	Plastic Light with Housing, 99 LEDs Cool White	10W/12V	200	Cool White
88048381	ELCOMP-N	Plastic Light with Housing, 99 LEDs Warm White	10W/12V	212	Warm White
88048382	ELCOMP-N	Plastic Light with Housing, 99 LEDs Single Blue	10W/12V	20	Single Blue
88048479	ELCOMP	Plastic Light Nicheless, 99 LEDs RGB	10W/12V	90	RGB
88048480	ELCOMP	Plastic Light Nicheless, 99 LEDs Cool White	10W/12V	200	Cool White
88048481	ELCOMP	Plastic Light Nicheless, 99 LEDs Warm White	10W/12V	212	Warm White
88048482	ELCOMP	Plastic Light Nicheless, 99 LEDs Single Blue	10W/12V	20	Single Blue

### Dimension & Installation



ELCOMP-N



ELCOMP

# P100 SERIES LIGHT

## Features

- 1. Material: ABS + UV stabilizer
- 2. Cable: 2.5m
- 3. Waterproof: IP68
- 4. Installation: Wall Mounted (Flat type)



UL-P100



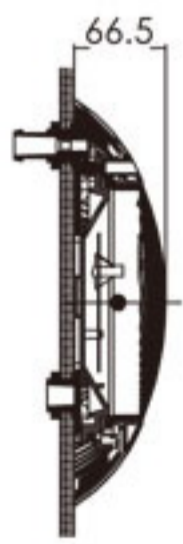
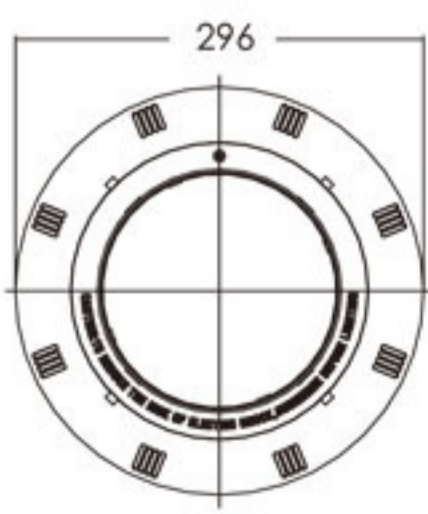
LED-P100



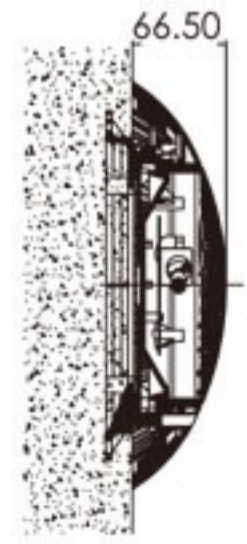
Gradual Colour Change



Code	Model No	Description	Watt/Voltage	Lumination (LUX)	Remarks
88041902	UL-P100	Round Underwater Light, Halogen Light Bulb, For Concrete Pool & Vinyl Pool	75W / 12V	300(Red) 260(Green) 180(Blue) 480(No lens)	Colour lens (Red/Green/Blue)
88041952	LED-P100	Round Underwater Light, 198 LEDs light panel, For Concrete Pool & Vinyl Pool	8W / 12V	575(Colour) 420(White)	Auto Colour Change / White



For Vinyl Pool



For Concrete Pool

# TP100 SERIES LIGHT



UL-TP100

LED-TP100



Gradual Colour Change

### Features

1. Material: ABS + UV stabilizer
2. Cable: 2.5m
3. Waterproof: IP68
4. Installation: Wall Mounted (Flat type)



Code	Model No	Description	Watt/Voltage	Lumination (LUX)	Remarks
88040602	UL-TP100	Octagonal Underwater Light, Halogen Light Bulb, For Concrete Pool & Vinyl Pool	75W / 12V	400(Red) 300(Green) 240(Blue) 680(No lens)	Colour lens (Red/Green/Blue)
88040652	LED-TP100	Octagonal Underwater Light, 198 LEDs light panel, For Concrete Pool & Vinyl Pool	8W / 12V	250(Colour) 180(White)	Auto Colour Change / White

### LED Panel & Light bulb for P100 / TP100 Series

Code	Model No	Description	Watts/Voltage	Remark
01221002	N/A	Colour lens for UL-P100	N/A	Red/Green/Blue
01221003	N/A	Colour lens for UL-TP100	N/A	Red/Green/Blue
04011020	N/A	198 LEDs light panel for LED-P100/LED-TP100	8W/12V	Colour Change
04011014	N/A	198 LEDs light panel for LED-P100/LED-TP100	8W/12V	White Colour
04011025	N/A	198 LEDs light panel for LED-P100/LED-TP100	8W/12V	Blue Colour
04011002	N/A	Halogen light bulb for UL-P100-TP100	75W/12V	Yellow Light



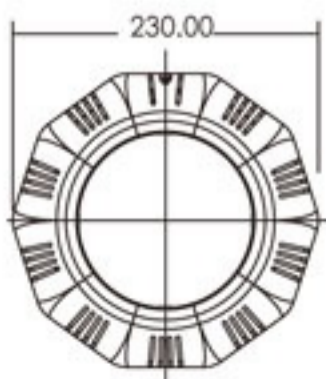
Colour lens



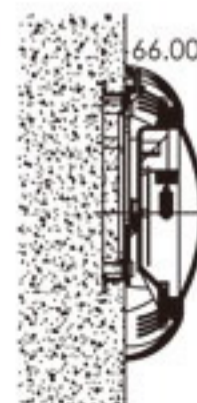
198 LEDs light panel



Halogen light bulb



For Vinyl Pool



For Concrete Pool

# CP100 SERIES LIGHT

## Features

1. Material : ABS with UV resistant
2. Cable : 2.5m
3. Water Proofing level : IP68
4. Installation : Flat Mount Light



CP-100

Code	Model No	Description	Watts/Voltage	Lumination /Lux	Remark
88047806	UL-CP100	Round Plastic Light, Halogen Light Bulb for Concrete Pool & Vinyl Pool	75W/12V	480	White Colour
88047968	LED-CP100	Round Plastic Light, 102 LEDs Bulb for Concrete Pool & Vinyl Pool	6W/12V	300	White Colour
88047977	LED-CP100	Round Plastic Light, 102 LEDs Bulb for Concrete Pool & Vinyl Pool	6W/12V	300	Colour Change
88047976	LED-CP100	Round Plastic Light, 198 LEDs Bulb for Concrete Pool & Vinyl Pool	8W/12V	470	White Colour
88047978	LED-CP100	Round Plastic Light, 198 LEDs Bulb for Concrete Pool & Vinyl Pool	8W/12V	470	Colour Change



# LIGHT MOUNTING SET FOR CONCRETE LINER POOL

## Features

1. For Concrete Liner Pool Mounting
2. Suitable for the below Light Models
  - E-Lumen series
  - LED-P100
  - UL-P100
  - LED-CP100
  - UL-CP100
  - LED-TP100
  - UL-TP100
  - UL-NS75
  - UL-NS150

Code	Description
08040021	Light Mounting Set for Concrete Liner Pool



# P300 SERIES LIGHT



UL-P300



LED-P300



P300 Light Niche

### Features

1. Material: ABS + UV stabilizer
2. Cable: 2.5m
3. Waterproof: IP68
4. Installation: Wall Mounted (Housing type)



Gradual Colour Change

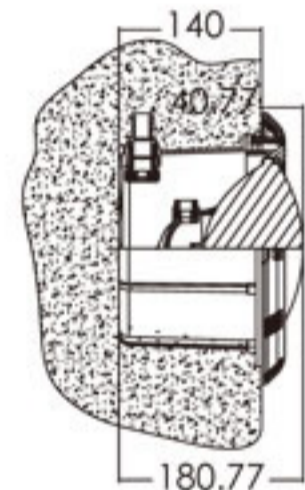


SAA

Code	Model No	Description	Watt/Voltage	Lumination (LUX)	Remarks
88040305	UL-P300C	Round Light, PAR56 Light Bulb, For Concrete Pool	300W / 12V	12600	White Light
88042505	UL-P300V	Round Light PAR56 Light Bulb For Vinyl Pool	300W / 12V		White Light
88040809	LED-P300V	Round Light PAR56 144 LEDs Bulb For Vinyl Pool	10W / 12V	270(Colour) 200(White)	Auto Colour Change / White
88041309	LED-P300C	Round Light, PAR56 144 LEDs Bulb, For Concrete Pool	10W / 12V		
88040808	LED-P300V	Round Light PAR56 252 LEDs Bulb For Vinyl Pool	16W / 12V	590(Colour) 400(White)	Multi Colour options / White
88041308	LED-P300C	Round Light, PAR56 252 LEDs Bulb, For Concrete Pool	16W / 12V		



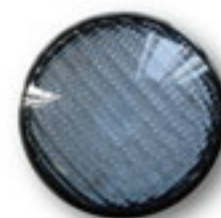
For Vinyl Pool



For Concrete Pool

### P 300 / NP 300 Series: Led Panel & Light Bulb

Code	Model No	Description	Watt/Voltage	Remarks
08040025	N/A	Par56 144 LEDs Bulb	10W/12V	White Colour
08040026	N/A	Par56 144 LEDs Bulb	10W/12V	Auto Colour Change
08040022	N/A	Par56 252 LEDs Bulb	10W/12V	White Colour
08040023	N/A	Par56 252 LEDs Bulb (with remote control)	10W/12V	Multi Colour Options
08040024	N/A	Par56 252 LEDs Bulb	10W/12V	Multi Colour Options



Par56 LED Light Bulb



Par56 Light Bulb

# NP300 SERIES LIGHT

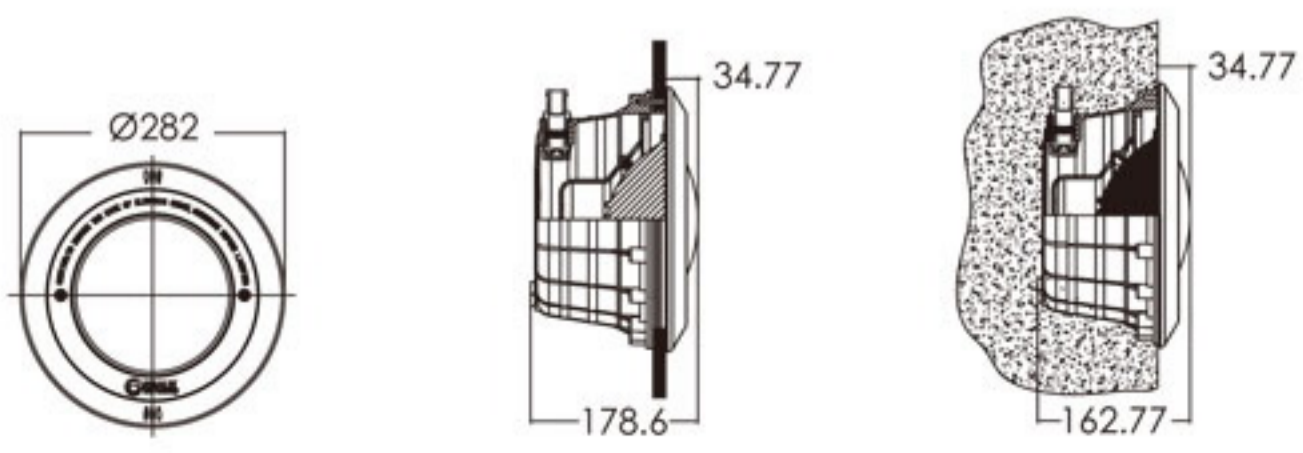
NP300 using the well known PAR 56 lamp format. High luminosity light bulb or power efficient LED with stunning colour changing effect.

### Features

1. Stainless steel face ring available
2. Halogen or LEDs bulb
3. Suitable for concrete, vinyl and fiberglass pool
4. Waterproof: IP68
5. Installation: Wall Mount (Housing type)



Code	Model No	Description	Watt/Voltage	Lumination (LUX)	Remarks
88041605	NP300-P	Par56 Light Bulb (Standard), Plastic face ring	300W/ 12V	9300	White Colour
88041612	NP300-P	Par56 Light Bulb (General Electric), Plastic face ring	300W/ 12V		White
88041651	LED-NP300-P	Par56 (144 Bulbs) LED, Plastic face ring	10W/ 12V	270(Colour) 200(White)	Auto Colour Change / White
88041653	LED-NP300-P	Par56 (252 Bulbs) LED, Plastic face ring	16W/ 12V	590(Colour) 400(White)	Multi Colour Options / White
88045305	NP300-S	Par56 Light Bulb (Standard), Stainless Steel face ring	300W/ 12V	9300	White Colour
88045312	NP300-S	Par56 Light Bulb (General Electric), Stainless Steel face ring	300W/ 12V		White Colour
88045351	LED-NP300-S	Par56 (144 Bulbs) LED, Stainless Steel face ring	10W/ 12V	270(Colour) 200(White)	Auto Colour Change / White
88045366	LED-NP300-S	Par56 (252 Bulbs) LED, Stainless Steel face ring	16W/ 12V	590(Colour) 400(White)	Multi Colour Options / White
89041608	N/A	Vinyl pool fitting for NP300	N/A	-	N/A
89041609	N/A	NP300 Stainless Steel face ring	N/A		
01050010	N/A	Lights Niche for NP300	N/A	-	N/A



# H100 / H200 LIGHT



UL-H100



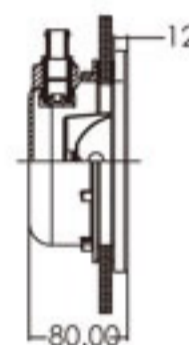
UL-H200

### Features

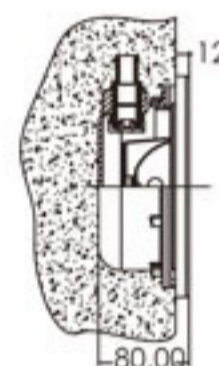
1. Material: AISI 304 / AISI 316 Stainless Steel
2. Cable: 2.5m
3. Waterproof: IP68
4. Installation: Wall Mounted (Housing type)



Code	Model No	Description	Watt/Voltage	Lumination (LUX)	Remarks
88042602	UL-H100V	High Density Underwater Light, 1 Halogen Light Bulb, For vinyl pool	75W / 12V	520	White Light
88041002	UL-H100C	High Density Underwater Light, 1 Halogen Light Bulb, For concrete pool	75W / 12V		White Light

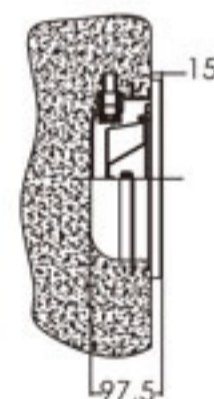


For Vinyl Pool



For Concrete Pool

Code	Model No	Description	Watt/Voltage	Lumination (LUX)	Remarks
88041004	UL-H200C	High Density Underwater Light, 2 Halogen Light Bulb, For concrete pool	150W / 12V	830	White Light



For Concrete Pool



UL-H Series light niche

Code	Model No	Description	Watt/Voltage	Lumination (LUX)	Remarks
04011073	N/A	Halogen light bulb for UL-NS / UL-H	75W / 12V	N/A	White Light
01171099	N/A	Lights Niche for UL-H100	N/A	N/A	N/A
01171101	N/A	Lights Niche for UL-H200	N/A	N/A	N/A



Halogen light bulb for UL-NS / UL-H



# NS75 / NS150 SERIES LIGHT

## Features

- 1. Material: AISI 304 / AISI 316 Stainless Steel
- 2. Cable: 2.5m
- 3. Waterproof: IP68
- 4. Installation: Wall Mounted (Housing type)



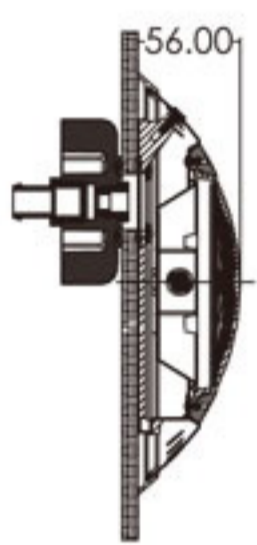
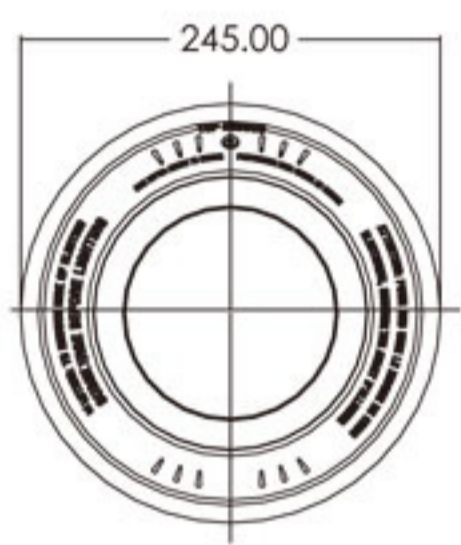
UL-NS75



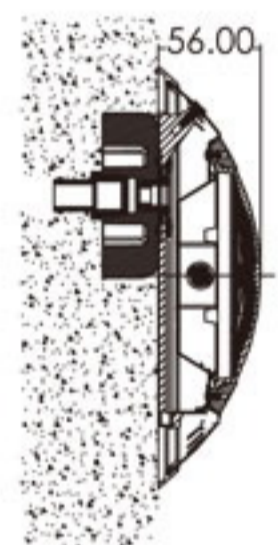
UL-NS150



Code	Model No	Description	Watt/Voltage	Lumination (LUX)	Remarks
88043706	UL-NS75	Round Underwater Light, 1 Halogen Light Bulb, For Concrete Pool & Vinyl Pool	75W / 12V	460	White Light

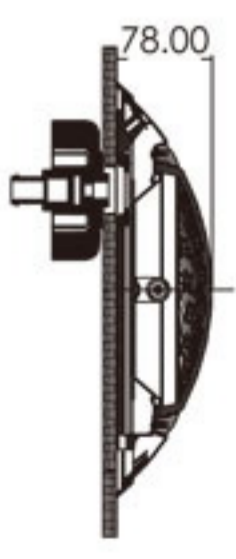
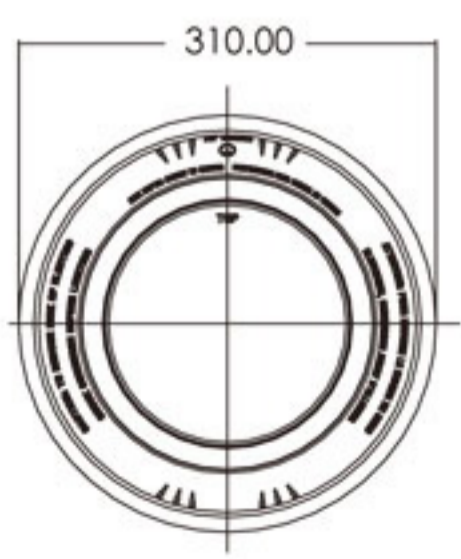


For Vinyl Pool

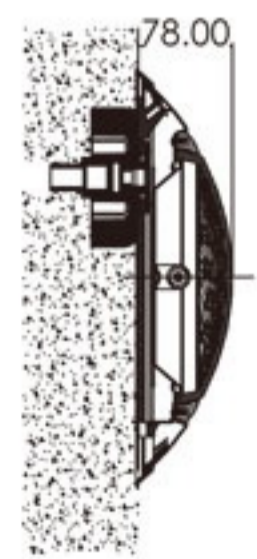


For Concrete Pool

Code	Model No	Description	Watt/Voltage	Lumination (LUX)	Remarks
88043703	UL-NS150	Round Underwater Light, 2 Halogen Light Bulbs, For Concrete Pool & Vinyl Pool	150W / 12V	498	White Light



For Vinyl Pool

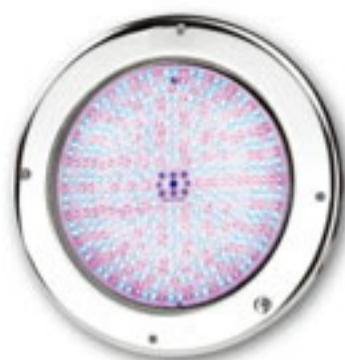


For Concrete Pool

# S300 SERIES LIGHT



UL-S300



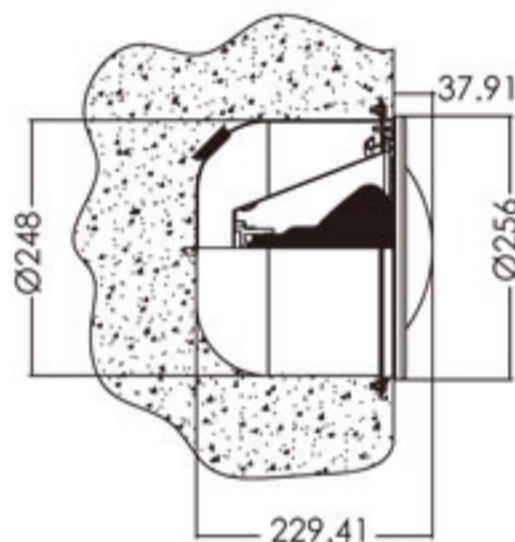
EL-S300

### Features

1. Material: AISI 304 / AISI 316 Stainless Steel
2. Cable: 2.5m
3. Waterproof: IP68
4. Installation: Wall Mounted (Housing type)



Code	Model No	Description	Watt/Voltage	Lumination (LUX)	Remarks
88044110	LED-S300	S/S Light, E27 (252 LED bulbs), with S/S housing	16W / 12V	330(Colour) 280(White)	Auto Colour Change / White
88042310	LED-S300L	S/S Lamp, E27 (252 LEDs bulb), without housing	16W / 12V		
88043905	UL-S300	S/S Light, E27 bulb, with S/S housing	300W / 12V	1630	White Light
88040705	UL-S300L	S/S Lamp, E27 bulb, without housing	300W / 12V		
88043605	UL-S300SN	Stainless Steel Housing for S300	N/A	N/A	N/A



### LED bulb & light bulb for S300 Series

Code	Model No	Description	Watt/Voltage	Lumination (LUX)	Remarks
04011011	N/A	E27 light bulb for S300	300W / 12V	N/A	White Light
04011035	N/A	E27 252 LEDs Bulb S300	16W / 12V	N/A	Auto Colour Change
04011046	N/A	E27 252 LEDs Bulb S300	16W / 12V		White Light



UL-S300SN



E27 light bulb for S300



E27 252 LEDs Bulb S300

# S100 SERIES LIGHT

## Features

1. Material: AISI 304 / AISI 316 Stainless Steel
2. Cable: 2.5m
3. Waterproof: IP68
4. Installation: Wall Mounted (Housing type)



UL-S100



LED-S100

Code	Model No	Description	Watt/Voltage	Lumination (LUX)	Remarks
88043902	UL-S100S	S/S Light, E27 bulb, with S/S housing	100W / 12V		
88043802	UL-S100P	S/S Light, E27 bulb, with Plastic housing	100W / 12V	200	White Light
88040702	UL-S100L	S/S Lamp, E27 bulb, without housing	100W / 12V		
88044102	LED-S100S	S/S Light, 18 LEDs bulb, with S/S housing	1W / 12V		
88044002	LED-S100P	S/S Light, 18 LEDs bulb, with Plastic housing	1W / 12V	60(Colour) 45(White)	Auto Colour Change / White
88042302	LED-S100L	S/S Lamp, 18 LEDs bulb, without housing	1W / 12V		
88044111	LED-S100S	S/S Light, 72 LEDs bulb, with S/S housing	5W / 12V		
88044011	LED-S100P	S/S Light, 72 LEDs bulb, with Plastic housing	5W / 12V	460(Colour) 270(White)	Auto Colour Change / White
88042311	LED-S100L	S/S Lamp, 72 LEDs bulb, without housing	5W / 12V		
88043602	S100SN	Stainless Steel Housing For S100	N/A	N/A	N/A
88043502	S100PN	Plastic Housing For S100	N/A	N/A	N/A



S100PN



S100SN



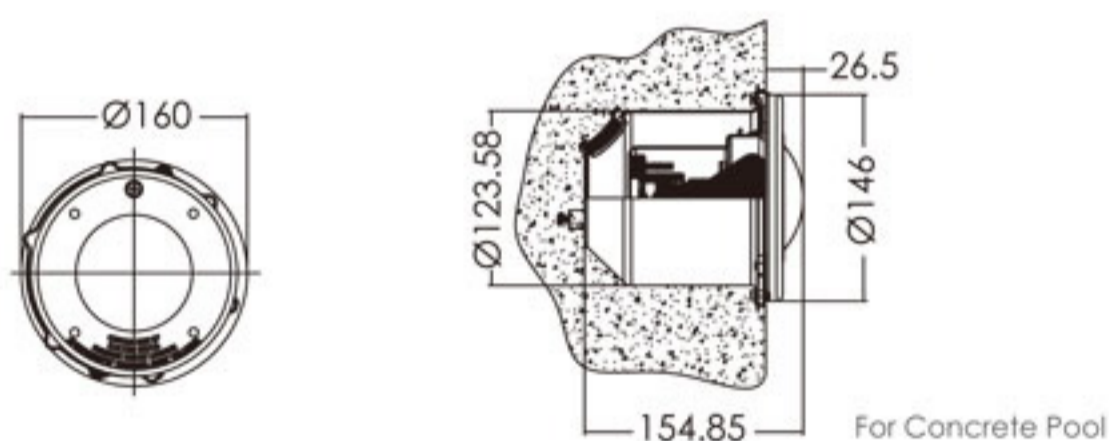
E27 light bulb for S100



E27 18LEDs Bulb for S100



E27 72 LEDs bulb for S100



## LED bulb & light bulb for S100 Series

Code	Model No	Description	Watt/Voltage	Lumination (LUX)	Remarks
04011009	N/A	E27 light bulb for S100	100W / 12V	N/A	White Light
04011017	N/A	E27 18LEDs Bulb for S100	1W / 12V	N/A	Auto Colour Change
04011021	N/A	E27 18LEDs Bulb for S100	1W / 12V	N/A	White Light
04011050	N/A	E27 72 LEDs bulb for S100	5W / 12V	N/A	Auto Colour Change
04011053	N/A	E27 72 LEDs bulb for S100	5W / 12V	N/A	White Light

# P50 / P10 SERIES LIGHT



UL-P50



LED-P50



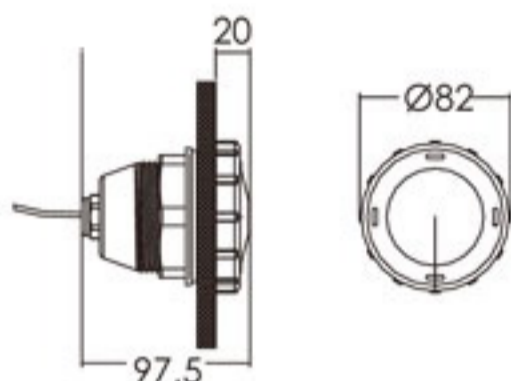
Gradual Colour Change

### Features

1. Material: Plastic
2. Cable: 1.5m
3. Waterproof: IP68
4. Installation: Wall Mounted (Housing type)



### Plastic Spa Light: P50 Series



Code	Model No	Description	Watt/Voltage	Lumination (LUX)	Remarks
88040101	UL-P50	MR16 Halogen lamp SPA light	20W / 12V	220(Red) 260(Green) 100(Blue) 700(No lens)	Colour lens (Red/Green/Blue)
88041101	LED-P50	MR16 (18Bulbs) LED SPA light	1W / 12V	120(Colour) 70(White)	Auto Colour Change / White



Concrete Housing for UL-P50 Light

### LED Panel & Light bulb for P50 Series



MR16 Halogen lamp



MR16 Two-pin 18LEDs Bulb

Code	Model No	Description	Watt/Voltage	Lumination (LUX)	Remarks
01150046	N/A	Concrete Housing for UL-P50 Light	-		2 inch
04011016	N/A	MR16 Two-pin 18LEDs Bulb	1W / 12V	N/A	Auto Colour Change
04011015	N/A	MR16 Two-pin 18LEDs Bulb	1W / 12V		White Colour
04011001	N/A	MR16 Halogen lamp	20W / 12V	N/A	Colour lens (Red/Green/Blue)

# P10 SERIES



Auto Color Change

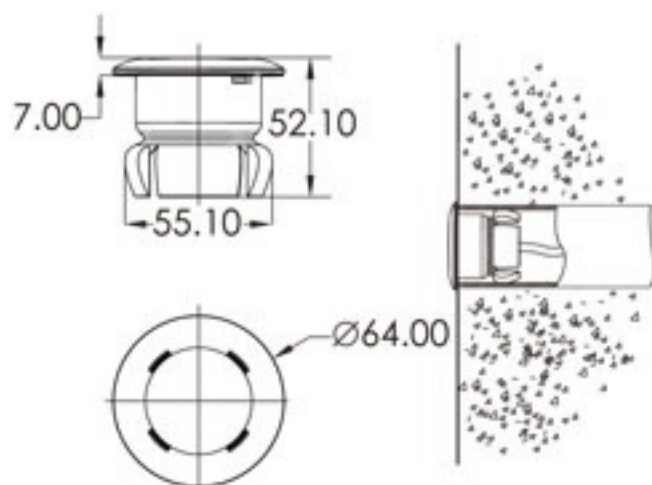


White Light

### Features

1. Material: ABS + UV stabilizer
2. Cable: 3m
3. Waterproof: IP68
4. Installation: with slip in 2"/63mm Class12 PVC pipe

### Plastic Underwater Light: LED-P10



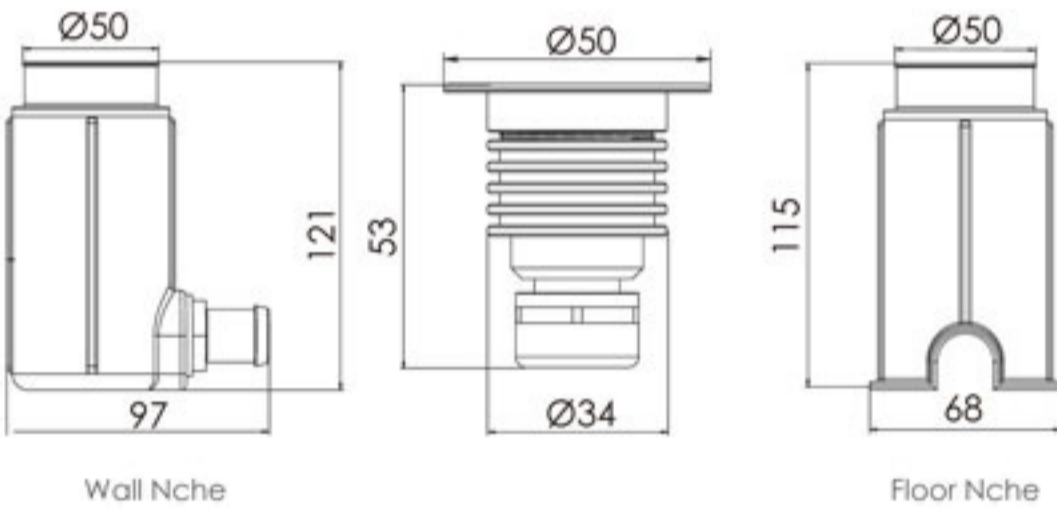
Code	Model No	Description	Watt/Voltage	Lumination (LUX)	Remarks
88041939	LED-P10	18 LEDs Bulb, For Concrete Pool	1W 12V	124	Auto Color Change
88041940	LED-P10	18 LEDs Bulb, For Concrete Pool	1W 12V	170	White Light



This energy saving light is the best solution to save the energy and at the same time generates a high power lumination. The stainless steel AISI-316 material assures optimum corrosion resistance. Its matt finished Stainless Steel surface is simply classic and elegant. The high grade ABS plastic housing is also durable and applicable for installations such as in-ground, pool wall, deck surface, and steps.



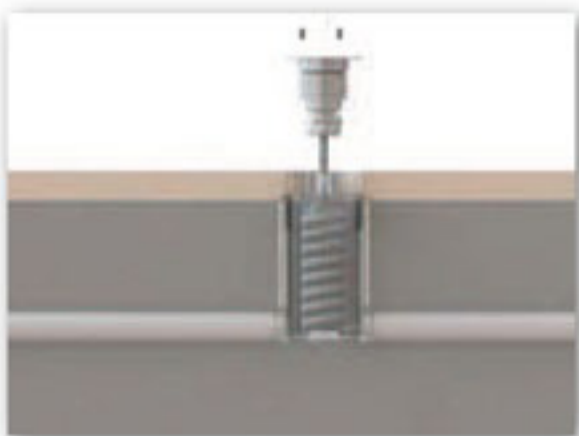
### Product Dimension



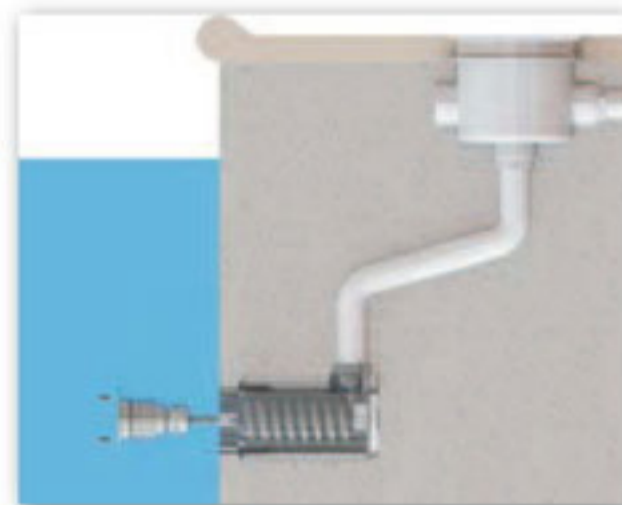
### Features

1. Durable ABD Plastic Housing
2. AISI-316 Stainless Steel Light
3. Compatible with Underwater Installations and Floor Installations
4. IP68 Waterproof Standard
5. Cable: 1.5m

Code	Model No	Specification	Watt/Voltage	Lumination (LUX)	Remarks
88048683	TL-1F	Terra-Lax LED Light, for floor installation	3W/AC 12V	140	"Cool White 6,000k"
88048583	TL-1C	Terra-Lax LED Light, for wall installation	3W/AC 12V	140	"Cool White 6,000k"
88048691	TL-1F	Terra-Lax LED Light, for floor installation	3W/AC 12V	198	"Cool White 3,000k"
88048591	TL-1C	Terra-Lax LED Light, for wall installation	3W/AC 12V	198	"Cool White 3,000k"



Floor installation (TL-1F)



Footstep / Pool Wall installation (TL-1C)

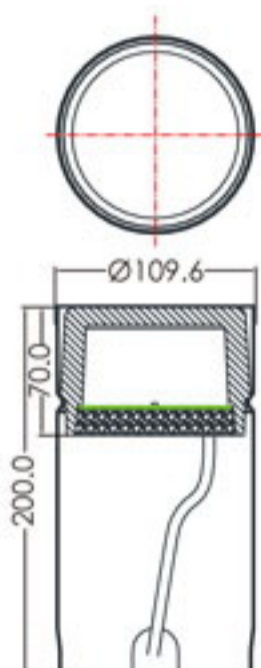
## E-FUSION LIGHT



## Features

1. Ultra-high brightness, low energy consumption.
2. Epoxy resin-filled lamp with good water resistance, dustproofing and corrosion resistance.
3. 8mm thickness high strength tempered glass with good refraction and excellent light transmittance.
4. IP68 Waterproof Standard.
5. External control box is available.
6. Cable: 0.5m

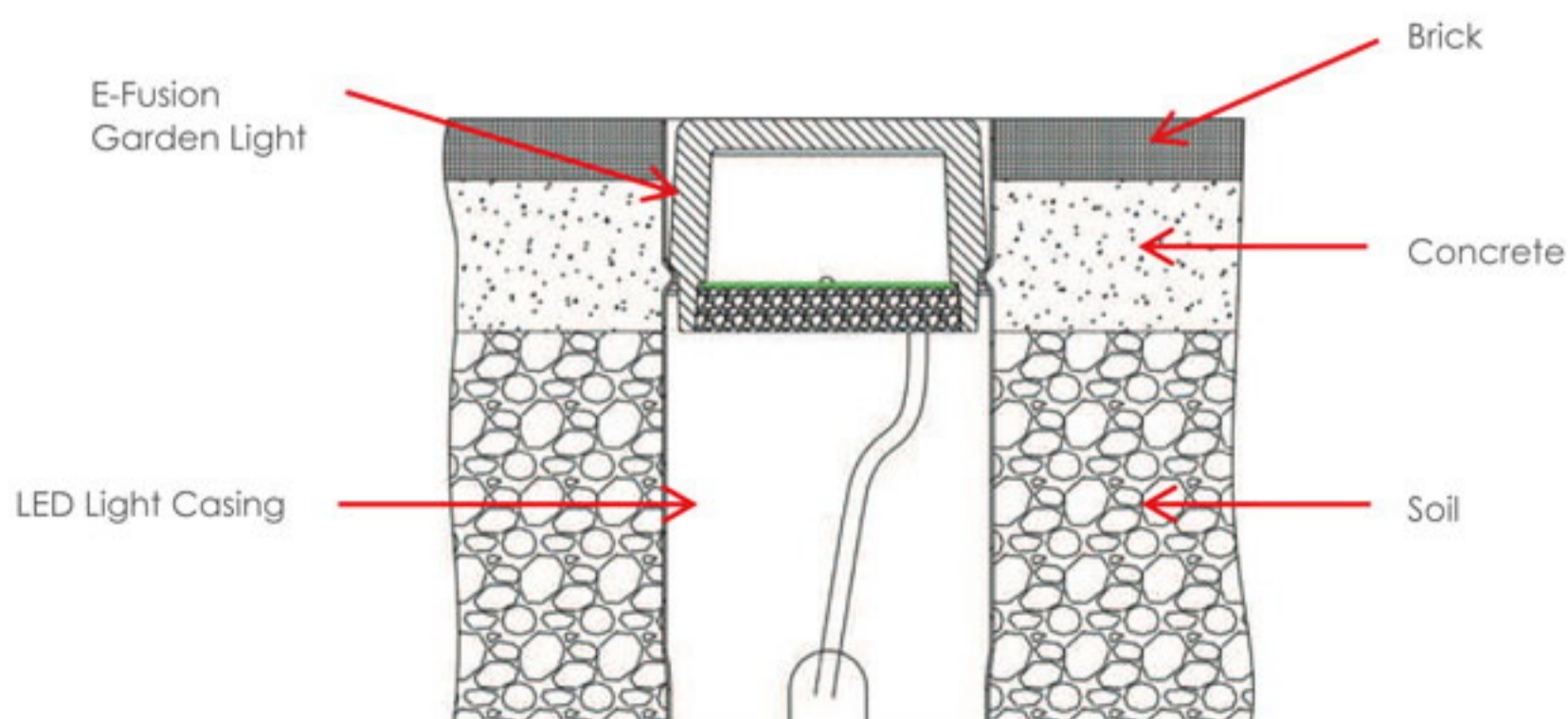
## Product Dimension



## Product Information

Code	Model No	Description
88046521	LED-F3	E-Fusion Garden Light LED 12V/3W White
88046522	LED-F3	E-Fusion Garden Light LED 12V/3W RGB

## Installation Diagram



## F20 / F20A SERIES LIGHT

### Features

1. Material: AISI 304 / AISI 316 Stainless Steel
2. Cable: 2.5m
3. Waterproof: IP68
4. Installation: Floor Mounted (Housing type)



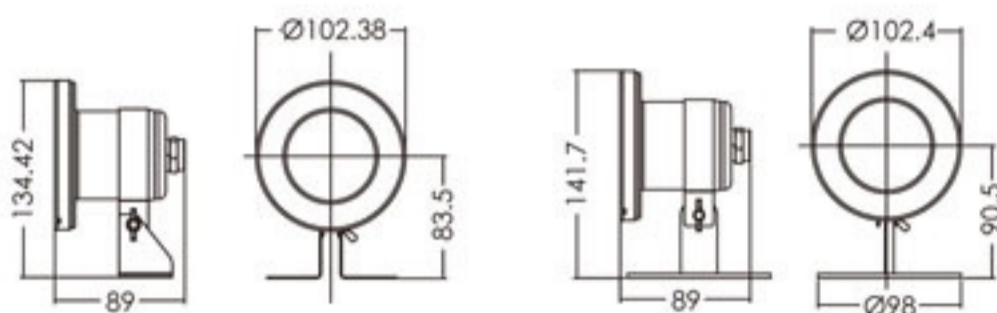
UL-F20A



LED-F20A

### Stainless Steel Underwater Light for Fountain: F20A Series

Code	Model No	Description	Watt/Voltage	Lumination (LUX)	Remarks
88044407	UL-F20A	MR16 Halogen Lamp Fountain Light with base	20W / 12V	1039	White Light
88044307	LED-F20A	MR16 18 Bulbs LED Fountain Light with base	1W / 12V	130(Colour) 80(White)	Auto Colour Change / White



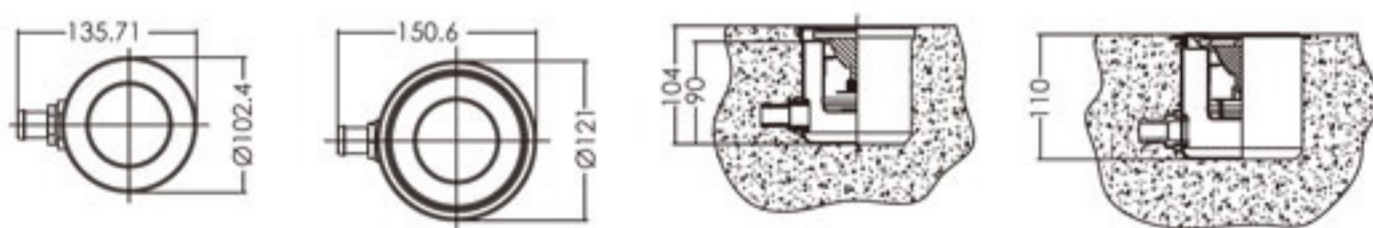
UL-F20



LED-F20

### Stainless Steel Underwater Light for Fountain: F20 Series

Code	Model No	Description	Watt/Voltage	Lumination (LUX)	Remarks
88042807	UL-F20	MR16 Halogen Lamp Fountain Light with 90mm housing	20W / 12V	1039	White Light
88044207	LED-F20	MR16 18 Bulbs LED Fountain Light with 90mm housing	1W / 12V	130(Colour) 80(White)	Auto Colour Change / White



MR16 Two-pin  
18LEDs Bulb



MR16 Halogen  
lamp

### LED bulb & light bulb for F20 & F20A Series

Code	Model No	Description	Watt/Voltage	Lumination (LUX)	Remarks
04011016	N/A	MR16 Two-pin 18LEDs Bulb	1W / 12V		Auto Colour Change
04011015	N/A	MR16 Two-pin 18LEDs Bulb	1W / 12V	N/A	White Colour
04011034	N/A	MR16 Two-pin 18LEDs Bulb	1W / 12V		Blue Colour
04011001	N/A	MR16 Halogen lamp	20W / 12V	N/A	Colour lens (Red/Green/Blue)

# LIGHT CONTROL BOX



Underwater Light Control Box



Remote Control

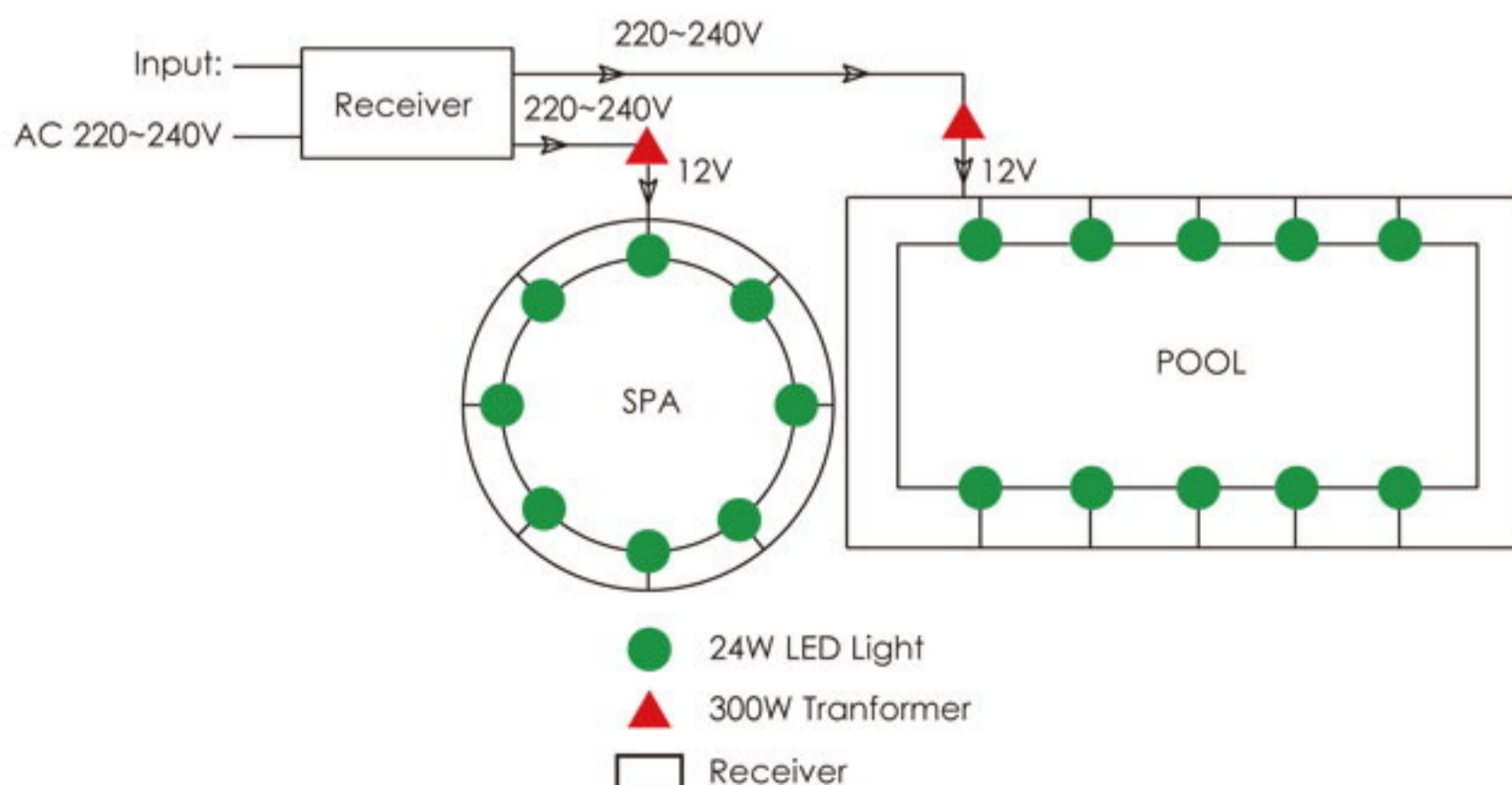
The AC power of 600W at maximum fed into the control box is divided into 2 lines each of which can support up to 300W of load (10 LED lights). The control for lights on the same line is by nature synchronized meanwhile synchronization of control over both lines (all lights) is possible.

## Features

1. Maximum load of 600W with power indicator.
2. Made from fire-proof ABS material.
3. Electrical overload & leakage protection.
4. Two control modes-manual mode and timer mode in which the ON/OFF time of load can be set.
5. 65 IP rating suitable for outdoor use.
6. A remote control is provided to interact with control box from distance.
7. Simple and easy operation with 4 keys:
8. 10 effects are numbered; RESET key set all lights to the first effect;
9. POOL and SPA key are used to change effect of lights connected to POOL line and SPA line respectively;
10. S+P key can change effect of all lights at the same time.

Code	Model No	Description
------	----------	-------------

08040009	N/A	Underwater Light Control Box with Remote (2*300W/220-240V)
----------	-----	--





# TRANSFORMER AND JUNCTION BOX

## Square Type Transformers

### TRA Series with CE certificate

Model No	Code 220V-230V/60Hz	Code 230V-240V/50Hz	Code 220V-230V/50Hz	Description
TRA-10VA	88321701	88320701	88320501	12V/10W
TRA-20VA	88321706	88320706	88320506	12V/20W
TRA-50VA	88321707	88320707	88320507	12V/50W
TRA-105VA	88321702	88320702	88320502	12V/105W
TRA-150VA	88321703	88320703	88320503	12V/150W
TRA-200VA	88321704	88320704	88320504	12V/200W
TRA-300VA	88321705	88320705	88320505	12V/300W
TRA-400VA	88321708	88320708	88320508	12V/400W
TRA-500VA	88321710	88320710	88320510	12V/500W



## Junction Box

Model No	Code 120V/60Hz	Description
EM2823A	08060001	Junction box only
EM2823B	08060002	With adaptors
EM2823C	88250112	Complete set with 1m hose and adaptors

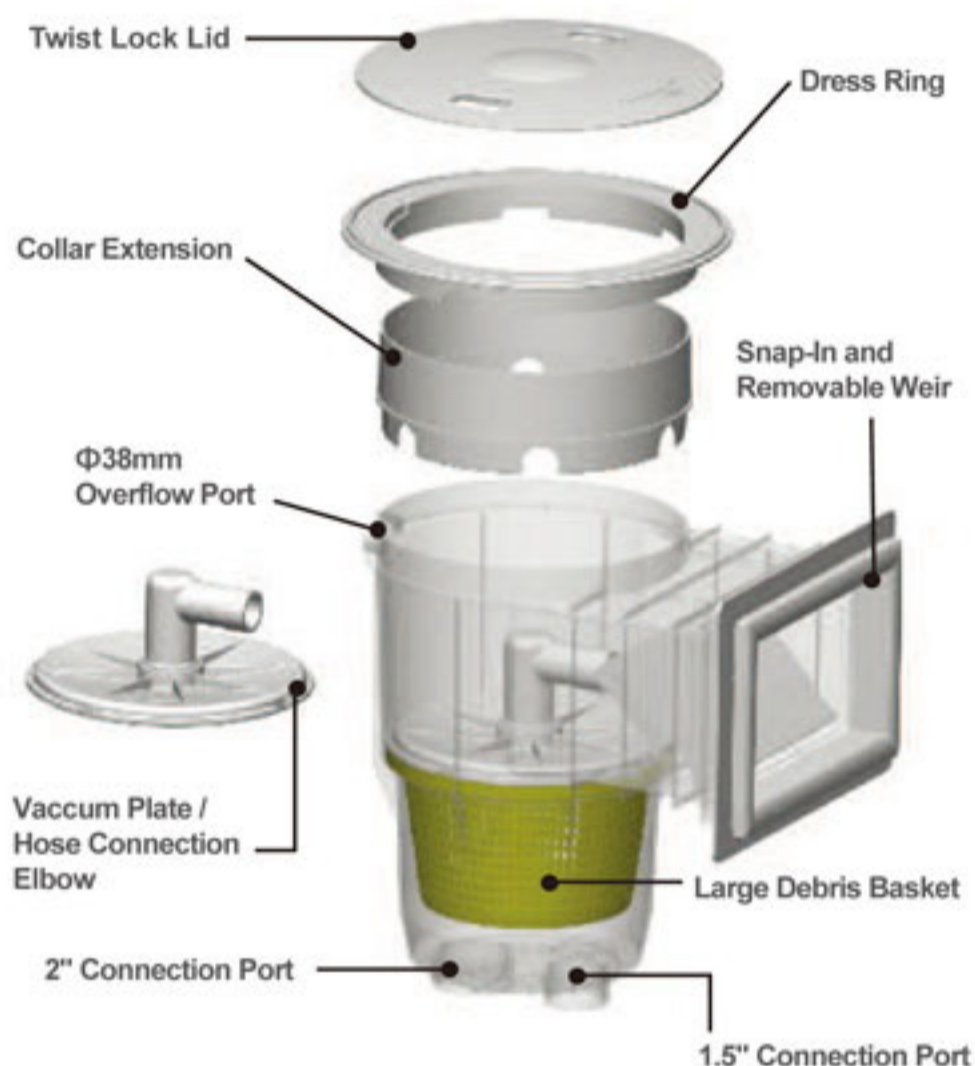


# HEAVY DUTY SKIMMER

The heavy-duty skimmer can be used for residential and commercial swimming pools suitable for concrete, fibreglass and vinyl surfaces. The 3 models are injection molded and made with UV resistant ABS material; the reinforced material provides the maximum strength and durability for all weather conditions. The high flexibility design allows 1.5" or 2" suction connections to the piping.

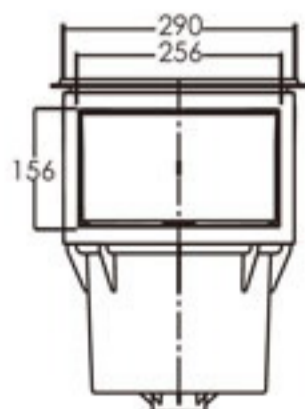
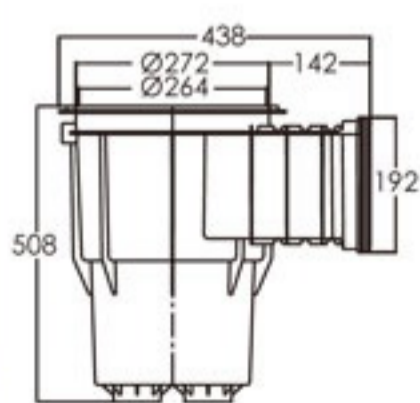
### Highlight Features:

- Suitable for 1.5" and 2" piping
- Knockout overflow / fill port
- Durable, corrosion-proof unibody construction
- Large debris collection basket
- Snap-in and removable weir
- Optional stackable extension collar allows infinite vertical height
- Optional stackable extension throat allows infinite horizontal length



### Standard Wall Skimmer

Model	Code	Colour	Material	Description
EM0030-RV	88150912	White	ABS	Standard Wall Skimmer (Round Cover) Vinyl Pool
EM0030-RC	88151012	White	ABS	Standard Wall Skimmer (Round Cover) Concrete Pool
EM0030-SV	88151112	White	ABS	Standard Wall Skimmer (Square Cover) Vinyl Pool
EM0030-SC	88151212	White	ABS	Standard Wall Skimmer (Square Cover) Concrete Pool



EM0030-SV EM0030-SC

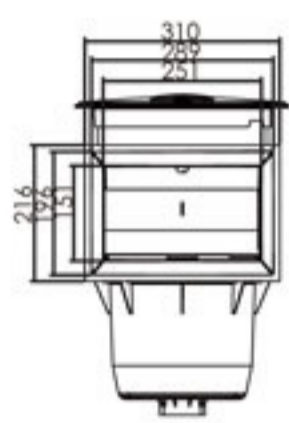
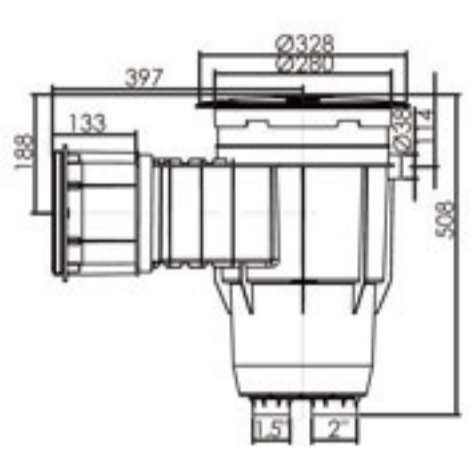


EM0030-RV EM0030-RC

# HEAVY DUTY SKIMMER

## Wide Mouth Wall Skimmer

Model	Code	Colour	Material	Description
EM0040-RV	88151312	White	ABS	Wide Mouth Wall Skimmer (Round Cover) Vinyl Pool
EM0040-RC	88151412	White	ABS	Wide Mouth Wall Skimmer (Round Cover) Concrete Pool
EM0040-SV	88151512	White	ABS	Wide Mouth Wall Skimmer (Square Cover) Vinyl Pool
EM0040-SC	88151612	White	ABS	Wide Mouth Wall Skimmer (Square Cover) Concrete Pool



EM0040-RV



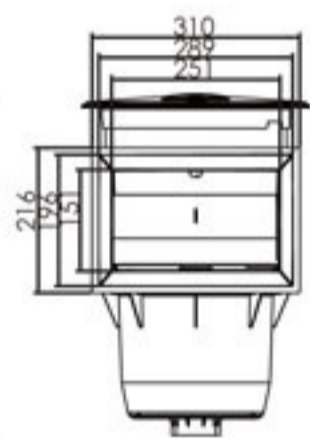
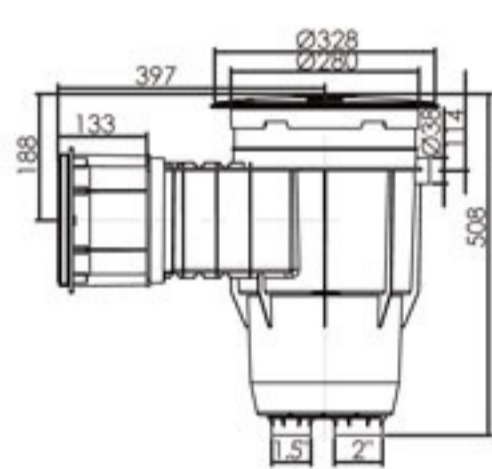
EM0040-RC

EM0040-SV

EM0040-SC

## Skimmer With Extension

Model	Code	Colour	Material	Description
EM0050-RV	88151712	White	ABS	Wall Skimmer with Extension (Round Cover) Vinyl Pool (Wider Flange)
EM0050-RC	88151812	White	ABS	Wall Skimmer with Extension (Round Cover) Concrete Pool
EM0050-SV	88151912	White	ABS	Wall Skimmer with Extension (Square Cover) Vinyl Pool (Wider Flange)
EM0050-SC	88152012	White	ABS	Wall Skimmer with Extension (Square Cover) Concrete Pool



EM0050-SV

EM0050-SC



EM0050-RV

EM0050-RC

## Accessories

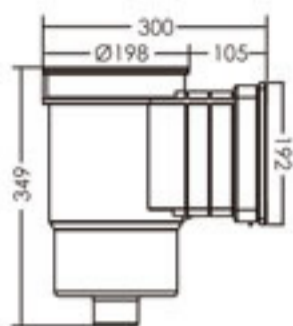


Code	Product Description
01050032	Extension Throat
01050004	Extension Collar
01211035	Round Dress Ring
89150501	Basket with Plastic Handle
01211036	Square Dress Ring
01211034	Skimmer Cover
01051180	Vacuum Plate
01050007	Vacuum Hose Connector

# STANDARD SKIMMER

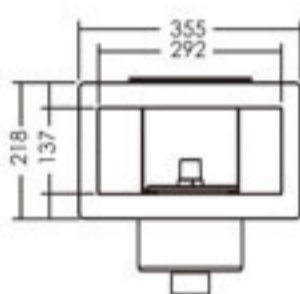
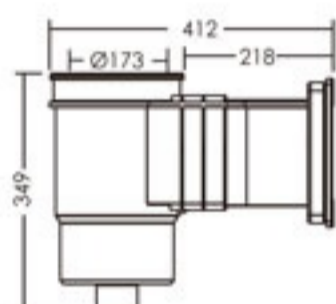
## Standard Wall Skimmer

Model	Code	Colour	Material	Annotation	Connection	Flow Rate (L/min)
EM0010-RV	88150112	White	ABS	Vinyl Pool	1-1/2" Threaded	150
EM0010-RC	88150212	White	ABS	Concrete Pool	1-1/2" Threaded	150



## Wide Mouth Wall Skimmer

Model	Code	Colour	Material	Annotation	Connection	Flow Rate (L/min)
EM0020-RV	88150512	White	ABS	Vinyl Pool	1-1/2" Threaded	150
EM0020-RC	88150612	White	ABS	Concrete Pool	1-1/2" Threaded	150

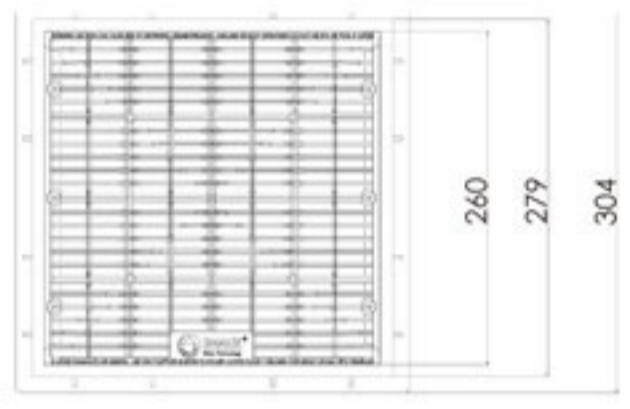
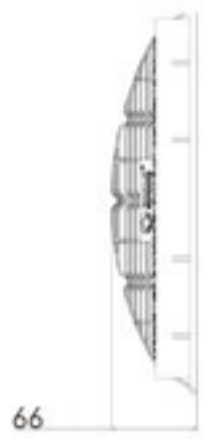


# MAIN DRAIN

High quality main drains are made in ABS which has the resistance in corrosion and ultra-violet.

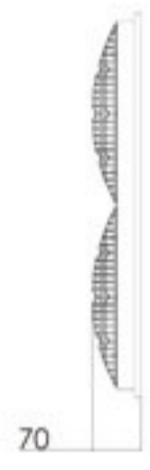
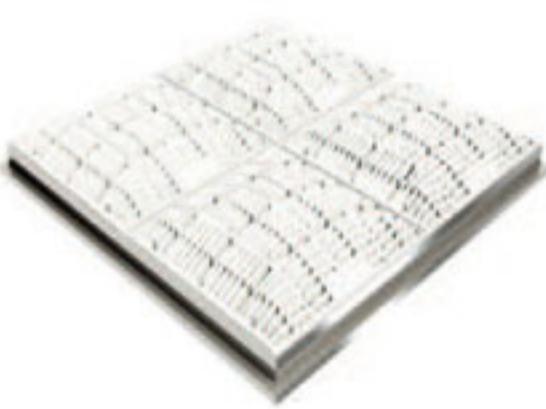
## Main Drain

Model	Code	Colour	Material	Flow Rate (L/min)
88140912	EM2813	White	ABS	900



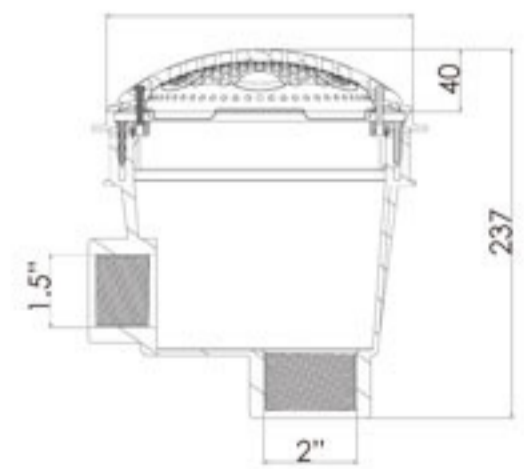
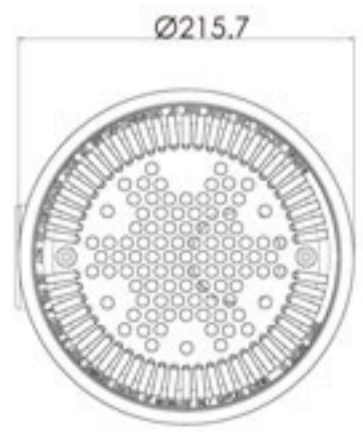
## Main Drain

Model	Code	Colour	Material	Flow Rate (L/min)
88141112	EM2816	White	ABS with S.S316 Frame	3600



## Main Drain

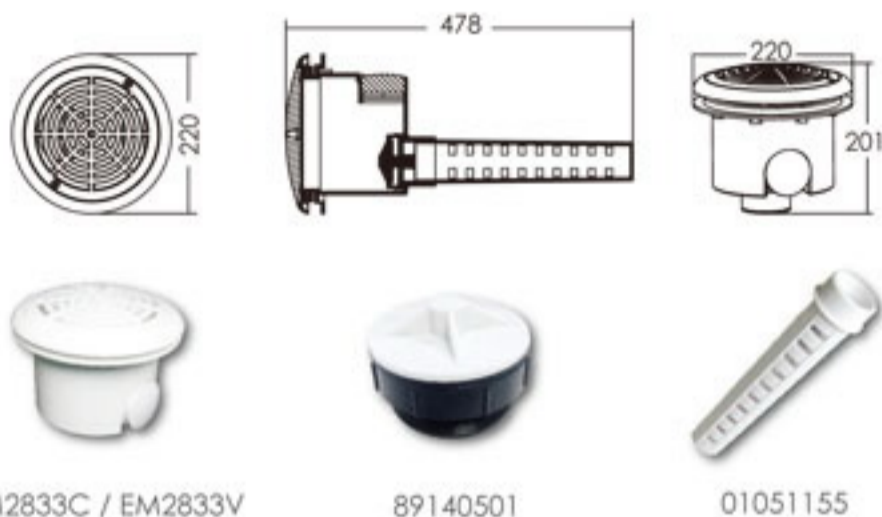
Model	Code	Colour	Material	Flow Rate (L/min)	Connection	Description
88141012	EM2815C	White	ABS	240	1-1/2" / 2"	For Concrete pool
88141212	EM2815V	White	ABS	240	1-1/2" / 2"	For Vinyl pool



# MAIN DRAIN

## 2" Main Drain

Model	Code	Annotation	Flow Rate (L/min)
EM2833HC	88140512	2" Main Drain for Concrete Pool With Hydrostatic Relief Valve & Collection Tube	240
EM2833HV	88140612	2" Main Drain for Vinyl Pool With Hydrostatic Relief Valve & Collection Tube	240
EM2833C	88140712	2" Main Drain for Concrete Pool	240
EM2833V	88140812	2" Main Drain for Vinyl Pool	240
-	89140501	Hydrostatic Relief Valve	N/A
-	01051155	Hydrostatic Relief Valve Collection Tube Only	N/A



EM2833C / EM2833V

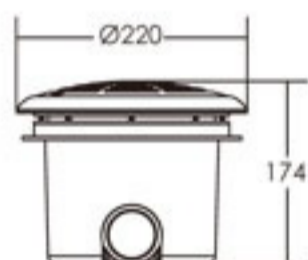
89140501

01051155



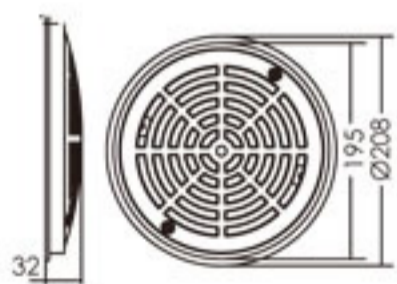
## 1.5" Main Drain

Model	Code	Colour	Material	Annotation	Connection	Flow Rate (L/min)
EM2832C	88140312	White	ABS	Concrete Pool	1-1/2"	150
EM2832V	88140412	White	ABS	Vinyl Pool	1-1/2"	150



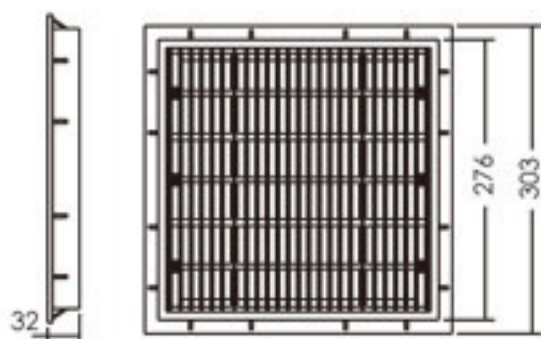
## Main Drain

Model	Code	Colour	Material	Flow Rate (L/min)
EM2830	88140112	White	ABS	558



## Main Drain

Model	Code	Colour	Material	Flow Rate (L/min)
EM2812	88140212	White	ABS	850





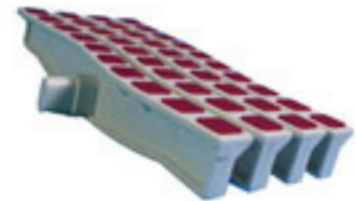
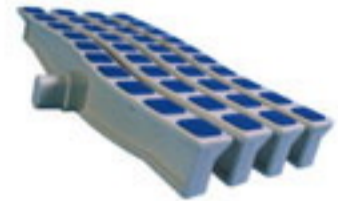
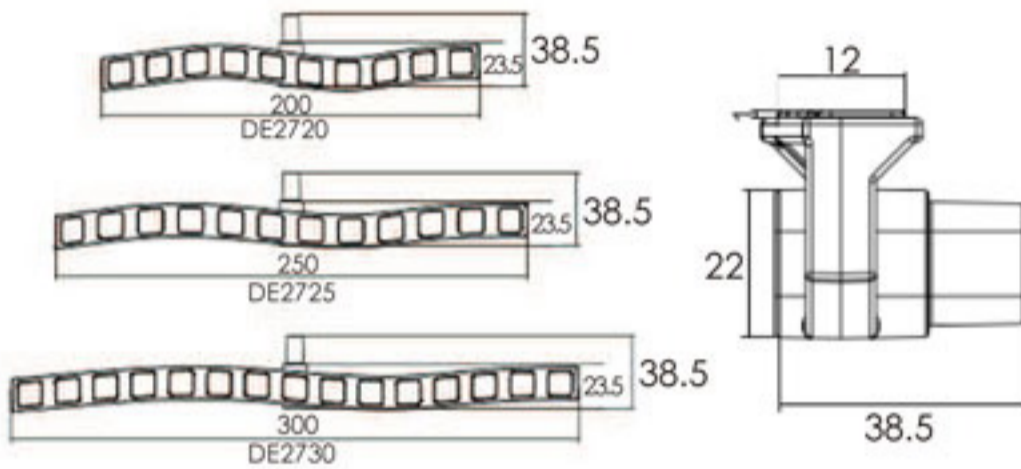
# ANTI SLIP GRATING

## Features

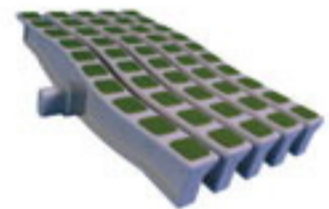
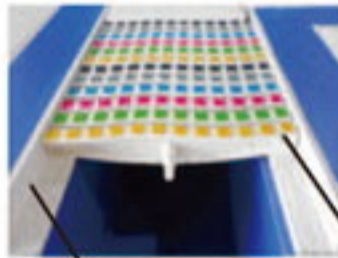
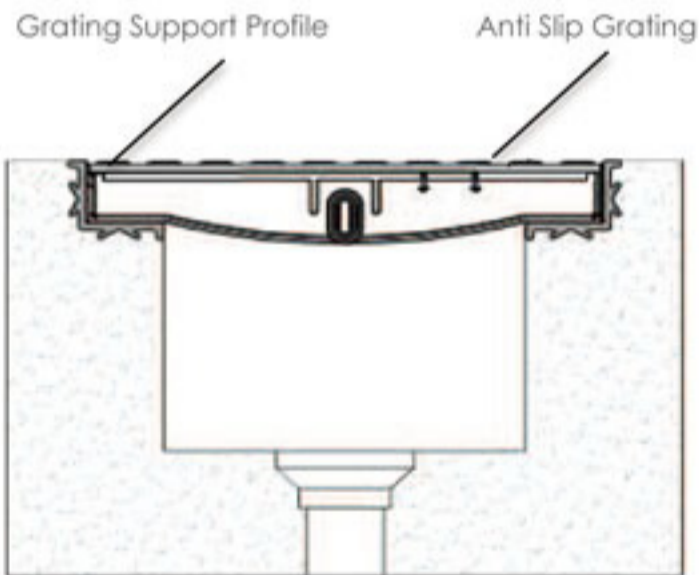
- Materials Polypropylene (PP) + Glass Filled
- Anti-slip materials Thermoplastic Elastomer (TPE)
- UV resistant
- Fit with different shape of pools
- Standard white or blue color anti-slip materials
- Available with different color anti-slip materials (MOQ Required)



## Product Dimension



## Installation Diagram



Model	Code	Description
/	01150047	Grating Support Profile
DE2720W	88171001	Anti Slip Grating 200 x 26.5mm White (1m)
DE2720B	88171008	Anti Slip Grating 200 x 26.5 Blue (1m)
DE2725W	88171101	Anti Slip Grating 250 x 26.5mm White (1m)
DE2725B	88171108	Anti Slip Grating 250 x 26.5mm Blue (1m)
DE2730W	88171201	Anti Slip Grating 300 x 26.5mm White (1m)
DE2730B	88171208	Anti Slip Grating 300 x 26.5mm Blue (1m)

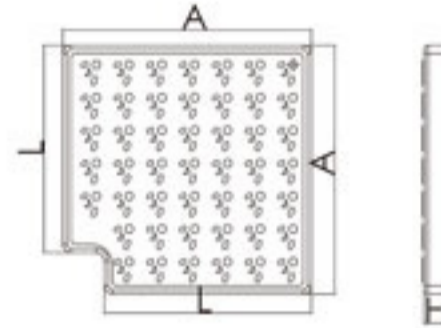
# CORNER TILE AND PROFILE

## 90° Corner Tile For Grating

Model	Code	Description
FT3090	88470101	300-90°Fiberglass Corner Tile (White)
FT2590	88470301	250-90°Fiberglass Corner Tile (White)
FT2090	88470501	200-90°Fiberglass Corner Tile (White)



Model	A	H	L
FT3090	350	28.5	300
FT2590	300	28.5	250
FT2090	250	28.5	200

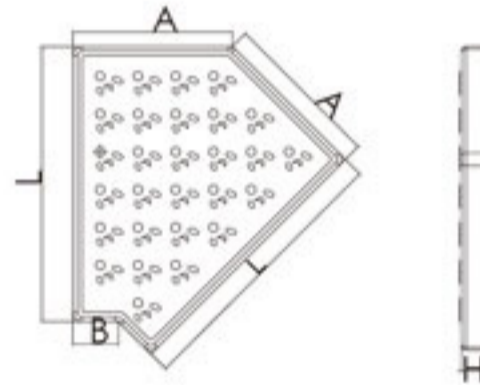


## 45° Corner Tile For Grating

Model	Code	Description
FT3045	88470201	300-45°Fiberglass Corner Tile (White)
FT2545	88470401	250-45°Fiberglass Corner Tile (White)
FT2045	88470601	200-45°Fiberglass Corner Tile (White)

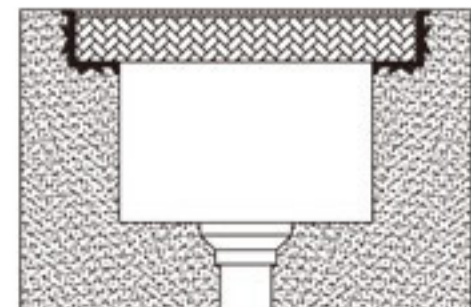
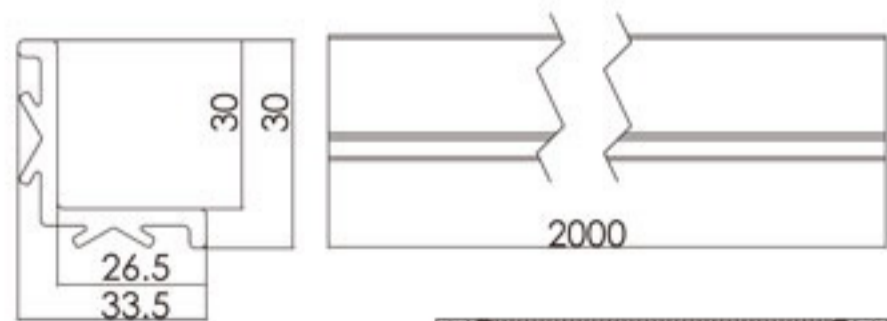


Model	A	B	H	L
FT3045	174	50	28.5	300
FT2545	154	50	28.5	250
FT2045	133	50	28.5	200



## Grating Support Profile

Model	Code	Description
N/A	01150047	2m Grating Support Profile

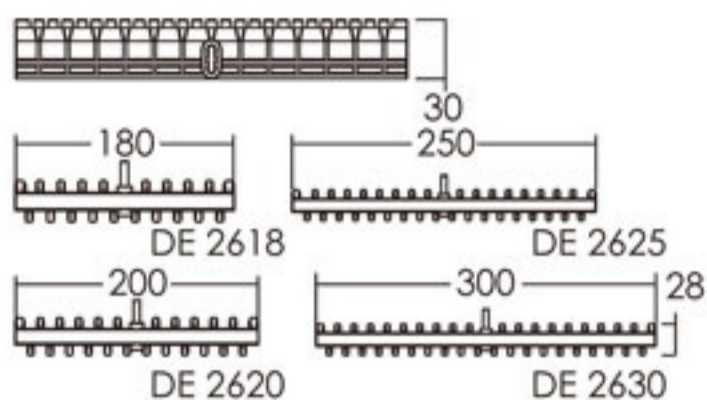




# GRATING

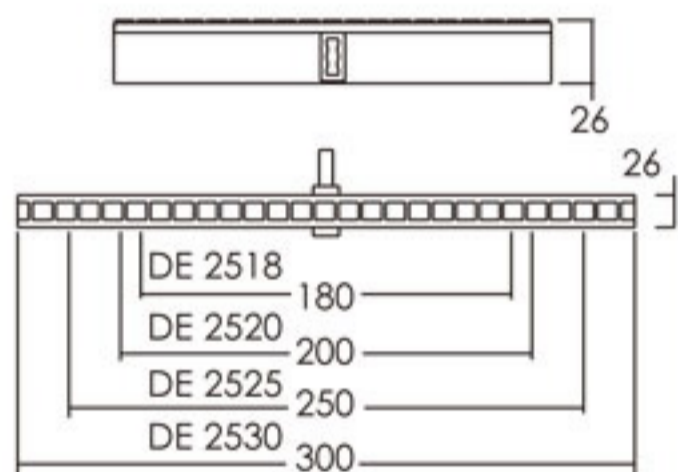
## Grating

Model	Code	Colour	Material
DE2618	88170612	White	ABS
DE2620	88170712	White	ABS
DE2625	88170812	White	ABS
DE2630	88170912	White	ABS



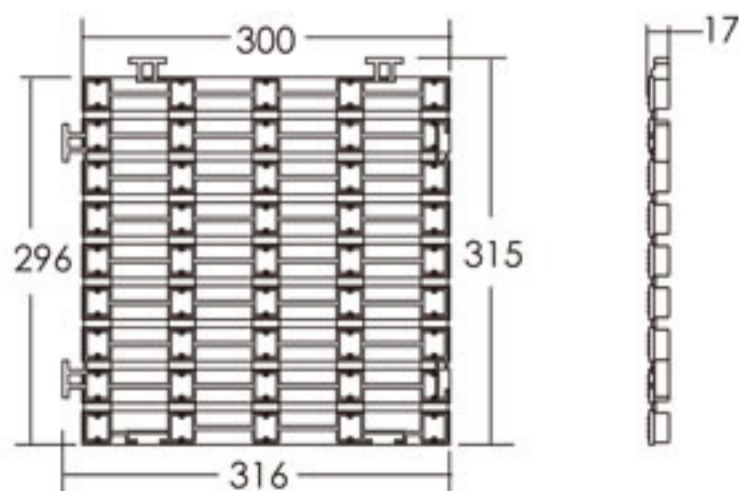
## Grating

Model	Code	Colour	Material
DE2518	88170212	White	ABS
DE2520	88170312	White	ABS
DE2525	88170412	White	ABS
DE2530	88170512	White	ABS



## Floor Pad

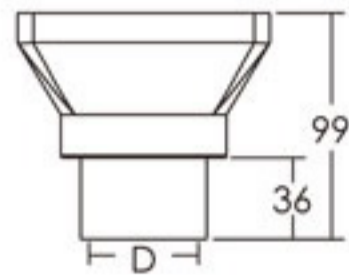
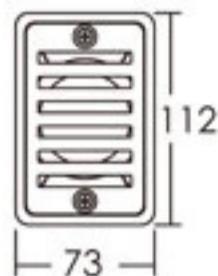
Model	Code	Colour	Material
DE3030	88160112	White	PVC
DE3030	88160106	Red	PVC
DE3030	88160107	Yellow	PVC
DE3030	88160108	Blue	PVC
DE3030	88160109	Green	PVC



# WALL RETURN AND GUTTER DRAIN

## Gutter Drain

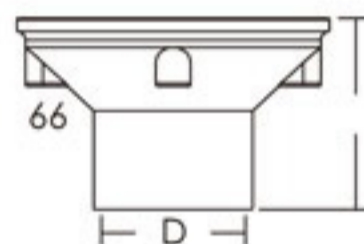
Model	Code	Colour	Material	Flow Rate (L/min)
EM2819	88110112	White	ABS & PVC	150(1.5") / 235(2.0")



D			
1 1/2"		2"	
Metric	Ø50	Metric	Ø63
Imperial	Ø48	Imperial	Ø60

## Wall Return

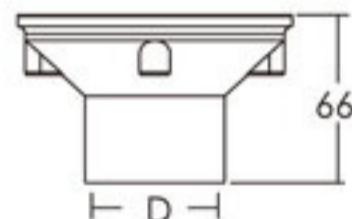
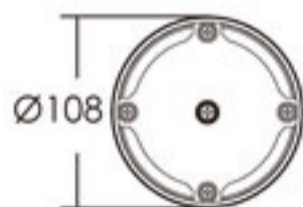
Model	Code	Colour	Material	Flow Rate (L/min)
EM2824	88120112	White	ABS & PVC	150(1.5") / 240(2.0")



D			
1 1/2"		2"	
Metric	Ø50	Metric	Ø63
Imperial	Ø48	Imperial	Ø60

## Wall Return

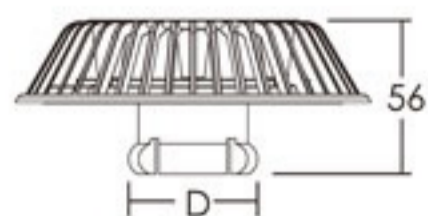
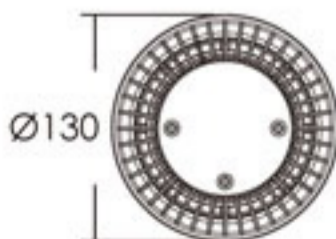
Model	Code	Colour	Material	Flow Rate (L/min)
EM2825	88120212	White	ABS & PVC	150(1.5") / 240(2.0")



D			
1 1/2"		2"	
Metric	Ø50	Metric	Ø63
Imperial	Ø48	Imperial	Ø60

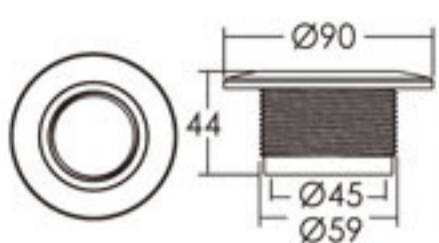
## Wall Return

Model	Code	Colour	Material	Flow Rate (L/min)
EM2826	88120312	White	ABS & PVC	Ø244.5-122 / Ø47-150 / Ø55.5-200



D			
1 1/2" Metric	Ø44.5	2" Imperial	Ø55.5
1 1/2" Imperial	Ø47		

# SUCTION FITTING, VACUUM AND OUTLET FITTING



### Suction Fitting

Model	Code	Colour	Material	Flow Rate (L/min)
EM2822	88130112	White	ABS	150



### Cover Of Suction Fitting

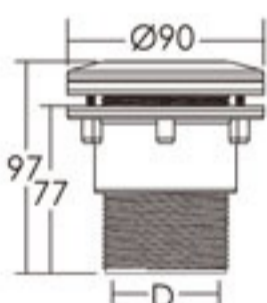
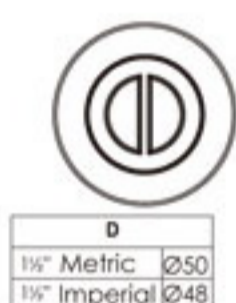
Model	Code	Colour	Material	Flow Rate (L/min)
EM2822A	88130212	White	ABS	115
EM2822B	88130312	White	ABS	115

### Vacuum Fitting (For Concrete Pool)



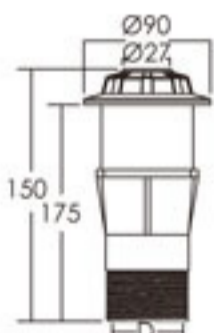
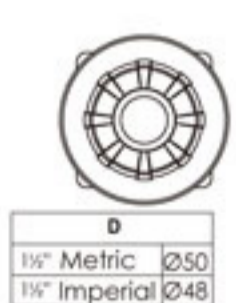
Model	Code	Colour	Material	Flow Rate (L/min)
EM2827C	88130412	White	ABS & PVC	150

### Vacuum Fitting (For Vinyl Pool)



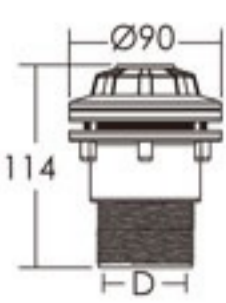
Model	Code	Colour	Material	Flow Rate (L/min)
EM2827V	88130512	White	ABS & PVC	150

### Outlet Fitting (For Concrete Pool)



Model	Code	Colour	Material	Flow Rate (L/min)
EM2828C	88092212	White	ABS & PVC	69

### Outlet Fitting (For Vinyl Pool)

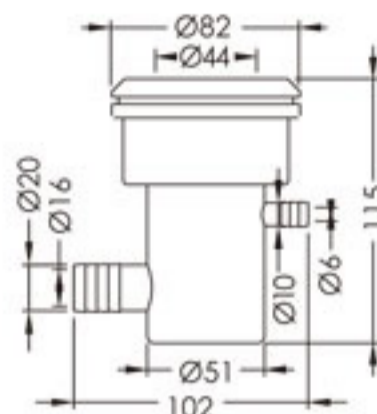


Model	Code	Colour	Material	Flow Rate (L/min)
EM2828V	88092312	White	ABS & PVC	69

## EYEBALL JET AND JET BODY

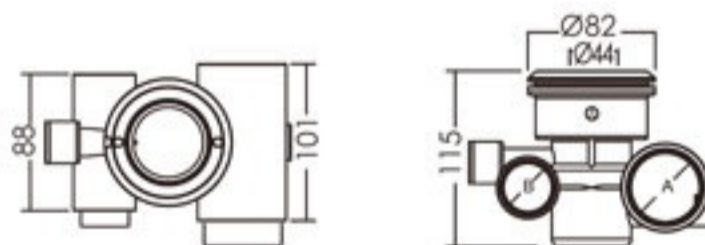
### Φ10mm Barb Air & Φ20mm Barb Water, Ell Body

Model	Code	Colour	Material	Flow Rate (L/min)
EM0021	88100112	White	PVC	53



### Φ32mm Air Φ50mm Water Tee Body

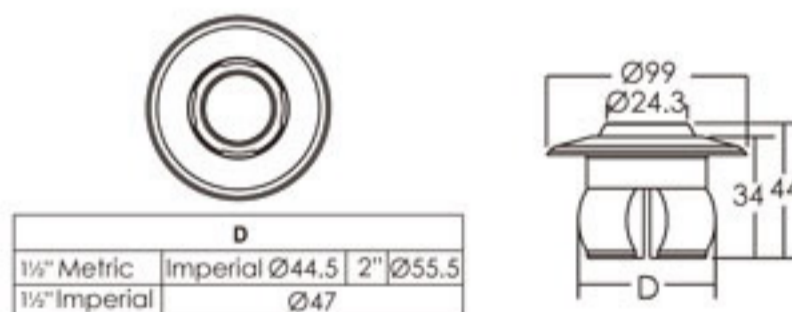
Model	Code	Colour	Material	Flow Rate (L/min)
EM0031	88100212	White	ABS & PVC	76



1/2"	A	B	1/2"	A	B
Metric	Ø50	Ø33	Imperial	Ø48	Ø33

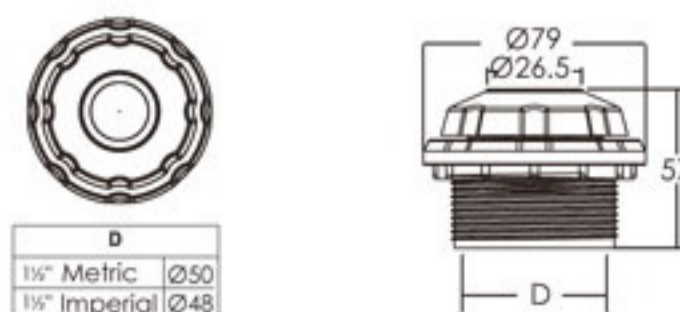
### Eyeball Standard Jet

Model	Code	Colour	Material	Flow Rate (L/min)
EM3301	88092512	White	ABS	69

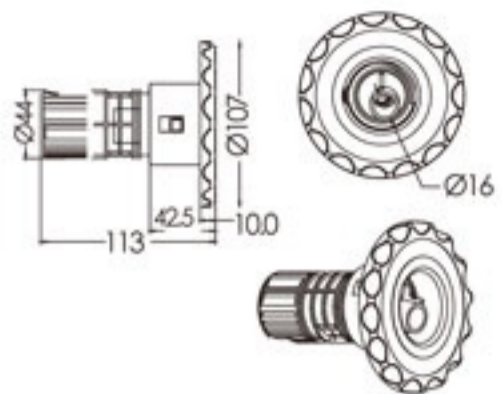


### Eyeball Jet

Model	Code	Colour	Material	Flow Rate (L/min)
EM3302	88092612	White	ABS & PVC	69

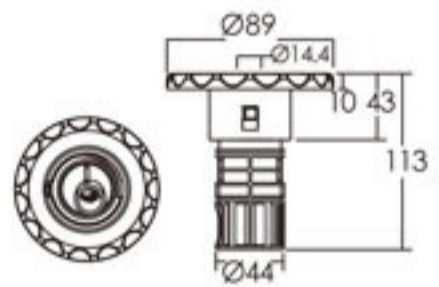


# SPA JET



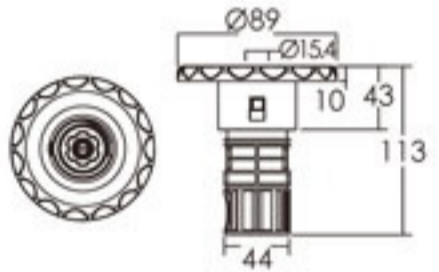
### Swirl Jet

Model	Code	Colour	Material	Flow Rate (L/min)
EM0018	88090712	White	ABS	17
EM0018	88090702	Grey	ABS	17



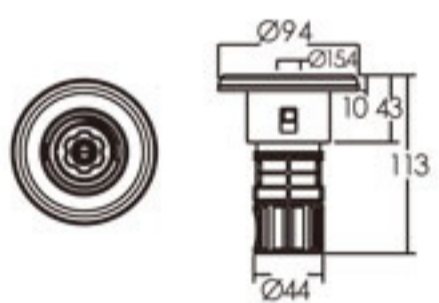
### Swirl Jet

Model	Code	Colour	Material	Flow Rate (L/min)
EM0028	88090512	White	ABS	17
EM0028	88090502	Grey	ABS	17



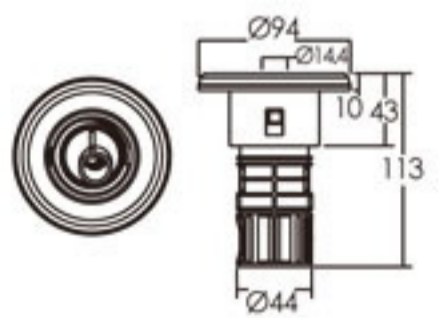
### Standard Jet

Model	Code	Colour	Material	Flow Rate (L/min)
EM0034	88090412	White	ABS	17
EM0034	88090402	Grey	ABS	17



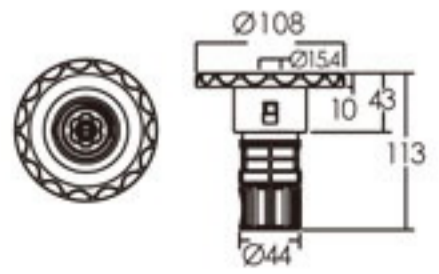
### Smooth Face Standard Jet

Model	Code	Colour	Material	Flow Rate (L/min)
EM0044	88090812	White	ABS	17
EM0044	88090802	Grey	ABS	17



### Smooth Face Swirl Jet

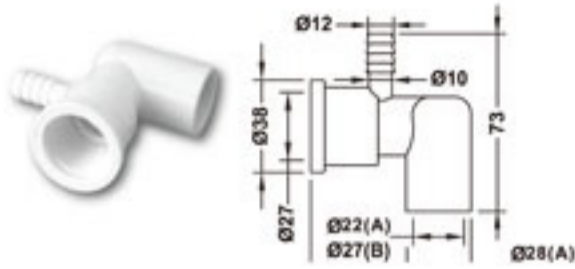
Model	Code	Colour	Material	Flow Rate (L/min)
EM0048	88090912	White	ABS	17
EM0048	88090902	Grey	ABS	17



### Standard Jet

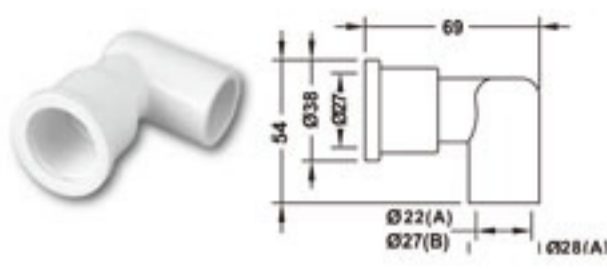
Model	Code	Colour	Material	Flow Rate (L/min)
EM0064	88090612	White	ABS	17
EM0064	88090602	Grey	ABS	17

# SPA FITTING



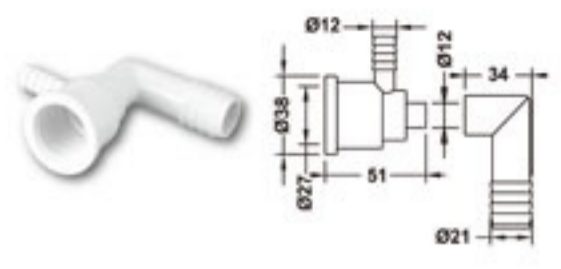
L-TYPE JET BODY

Model	Code	Colour	Material
EM2201A	88100812	White	PVC
EM2201B	88100912	White	PVC



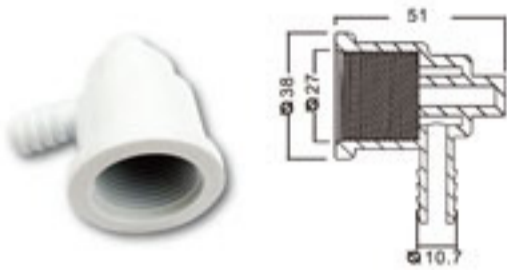
L-TYPE JET BODY

Model	Code	Colour	Material
EM2202A	88101012	White	PVC
EM2202B	88101112	White	PVC



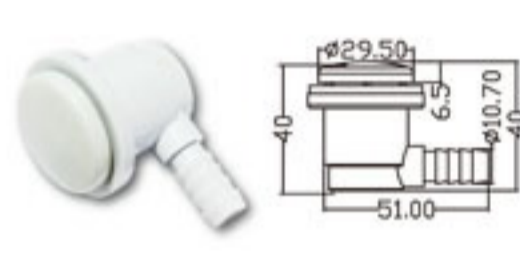
L-TYPE JET BODY

Model	Code	Colour	Material
EM2203	88101212	White	PVC



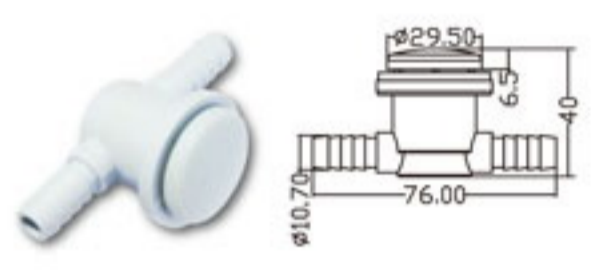
L-TYPE JET BODY

Model	Code	Colour	Material
EM2204	88101312	White	PVC



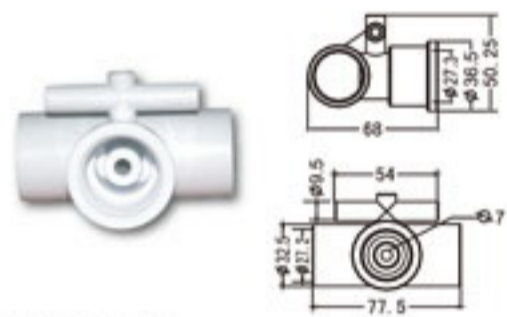
SINGLE HOLE AIR JET

Model	Code	Colour	Material
EM1159	88100612	White	PVC



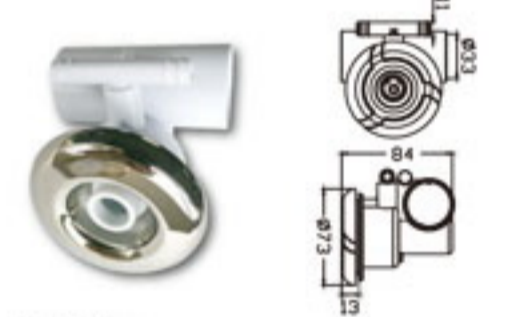
TWIN HOLE AIR JET

Model	Code	Colour	Material
EM1160	88100712	White	PVC



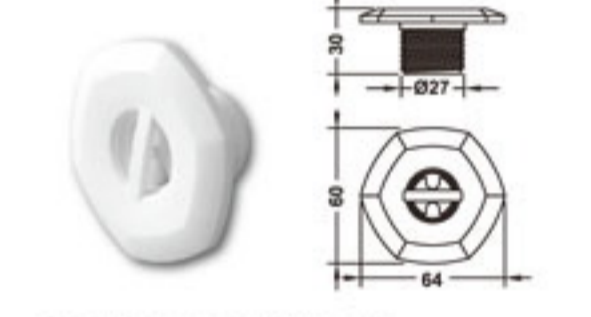
TINY AIR JET

Model	Code	Colour	Material
EM1158	88100512	White	PVC



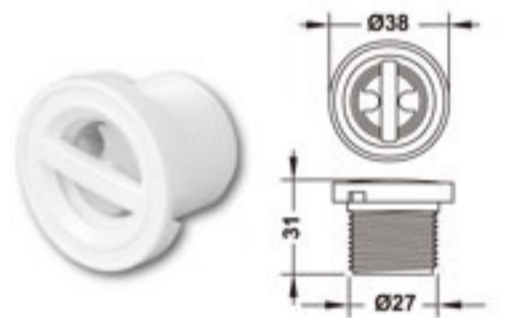
I TYPE JET

Model	Code	Colour	Material
EM1144	88091212	White	ABS & PVC
EM1144	88091202	Grey	ABS & PVC



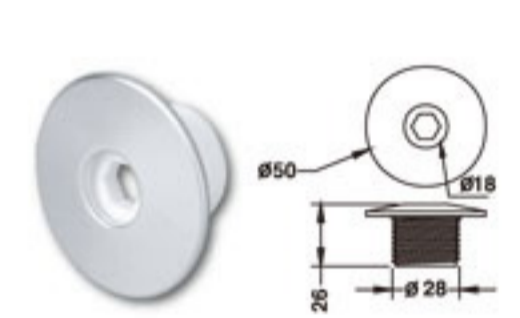
DIAMOND TYPE SWIRL JET

Model	Code	Colour	Material
EM2205	88091312	White	ABS
EM2205	88091302	Grey	ABS



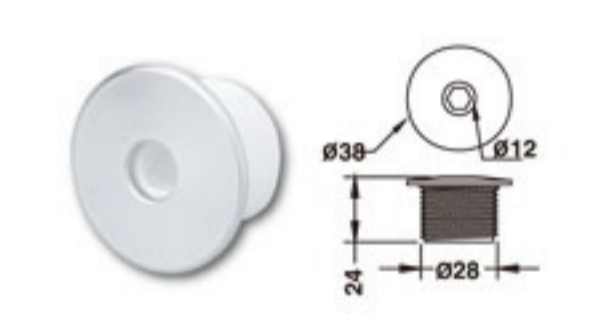
ROUND TYPE SWIRL JET

Model	Code	Colour	Material
EM2206	88091412	White	ABS
EM2206	88091402	Grey	ABS



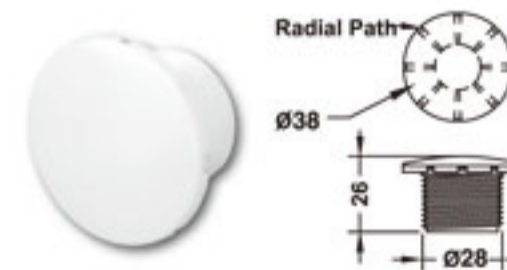
Ø2" FACE (STANDARD) JET

Model	Code	Colour	Material
EM2207	88091512	White	ABS
EM2207	88091502	Grey	ABS



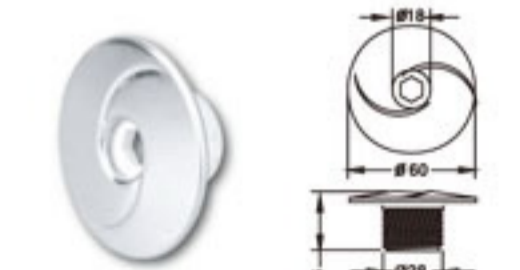
Ø1-1/2" FACE (STANDARD) JET

Model	Code	Colour	Material
EM2208	88091612	White	ABS
EM2208	88091602	Grey	ABS



Ø1-1/2" FACE (RADIAL) JET

Model	Code	Colour	Material
EM2209	88091712	White	ABS
EM2209	88091702	Grey	ABS



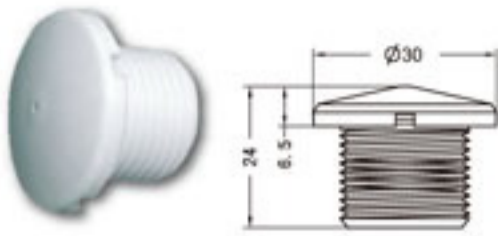
Ø2-1/4" FACE (SPIRAL) JET

Model	Code	Colour	Material
EM2210	88091812	White	ABS & PVC
EM2210	88091802	Grey	ABS & PVC



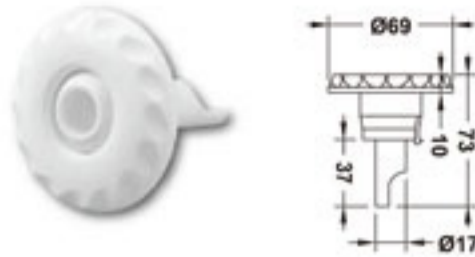
NINE HOLE JET

Model	Code	Colour	Material
EM2211	88091912	White	ABS
EM2211	88091902	Grey	ABS



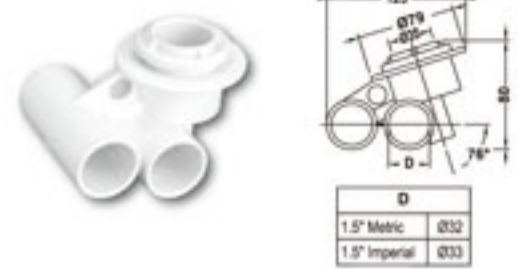
**SINGLE HOLE JET**

Model	Code	Colour	Material
EM2212	88092012	White	ABS & PVC
EM2212	88092002	Grey	ABS & PVC



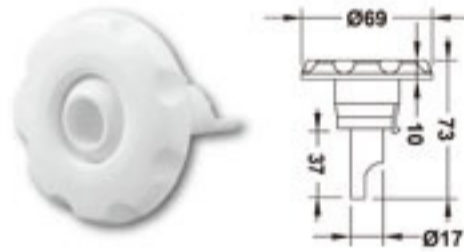
**Ø2-3/4" VORTEX FACE EYEBALL JET**

Model	Code	Colour	Material
EM1123	88091112	White	ABS
EM1123	88091102	Grey	ABS



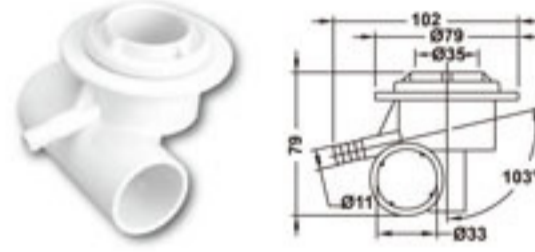
**Ø25MM AIR & Ø25MM WATER TEE BODY**

Model	Code	Colour	Material
EM1138	88100312	White	PVC



**Ø2-3/4" FACE EYEBALL SPA JET**

Model	Code	Colour	Material
EM1113	88101312	White	ABS
EM1113	88210102	Grey	ABS



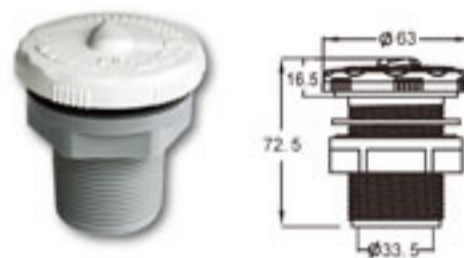
**Ø10MM BARB AIR & Ø25MM WATER**

Model	Code	Colour	Material
EM1148	88100412	White	PVC



**Ø25MM AIR CONTROL**

Model	Code	Colour	Material
EM1834	88210112	White	ABS
EM1834	88210102	Grey	ABS



**STANDARD AIR CONTROL**

Model	Code	Colour	Material
EM1835	88210212	White	ABS
EM1835	88210202	Grey	ABS



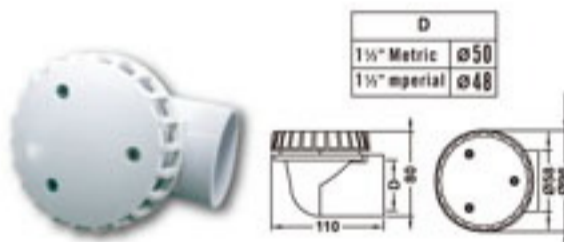
**AIR BUTTON**

Model	Code	Colour	Material
EM1844	88200112	White	ABS
EM1844	88200102	Grey	ABS



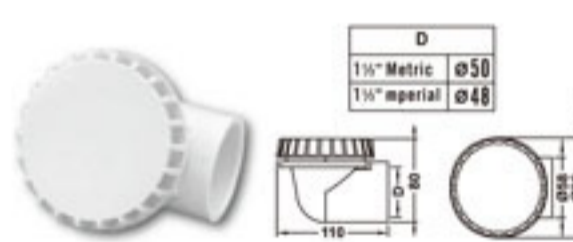
**AIR BUTTON**

Model	Code	Colour	Material
EM1845	88200212	White	ABS
EM1845	88200202	Grey	ABS



**Ø2 SECTION DRAIN ELL BODY (THREADED)**

Model	Code	Colour	Material
EM3822A	88240212	White	ABS & PVC
EM3822A	88240202	Grey	ABS & PVC



**Ø2 SECTION DRAIN ELL BODY (SLIP FIT)**

Model	Code	Colour	Material
EM3822B	88240312	White	ABS & PVC
EM3822B	88240302	Grey	ABS & PVC



**Ø2 SECTION DRAIN STRAIGHT BODY (WITH BOLT)**

Model	Code	Colour	Material
EM3833A	88240412	White	ABS & PVC
EM3833A	88240402	Grey	ABS & PVC



**Ø2 SECTION DRAIN STRAIGHT BODY**

Model	Code	Colour	Material
EM3833B	88240512	White	ABS & PVC
EM3833B	88240502	Grey	ABS & PVC



**SWIRL TYPE WATER RETURN**

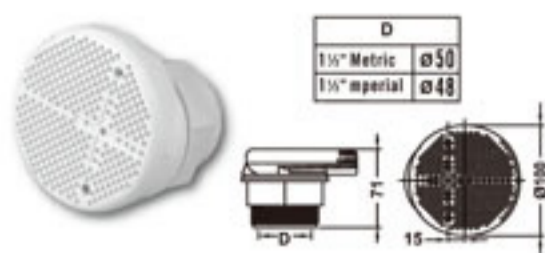
Model	Code	Colour	Material
EM3844	88240612	White	ABS & PVC
EM3844	88240602	Grey	ABS & PVC



**WATER RETURN**

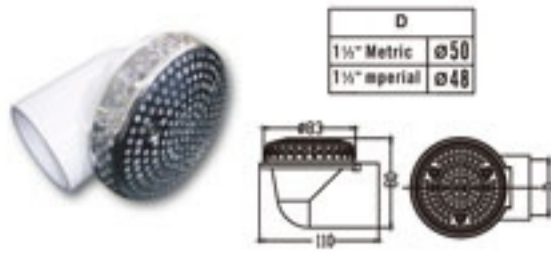
Model	Code	Colour	Material
EM3845	88240812	White	ABS & PVC
EM3845	88240802	Grey	ABS & PVC

# SPA FITTING



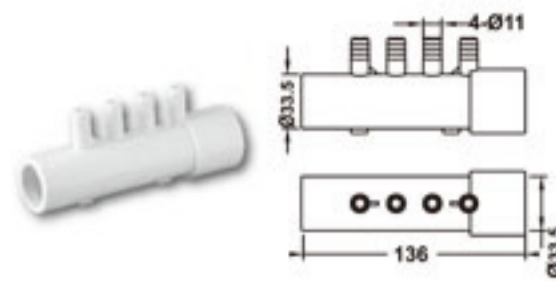
**Ø2 SECTION DRAIN LOCK NUT**

Model	Code	Colour	Material
EM3811	88240112	White	ABS & PVC
EM3811	88240102	Grey	ABS & PVC



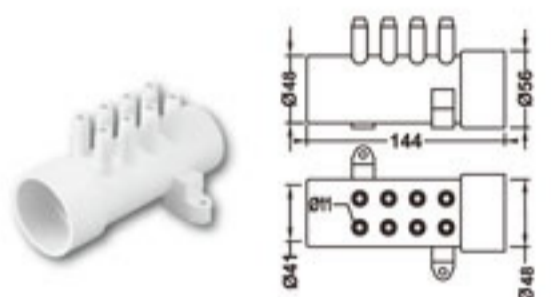
**WATER RETURN (SILVER)**

Model	Code	Colour	Material
EM3823	88240702	S.S Cover	ABS & PVC & S.S304 Cover



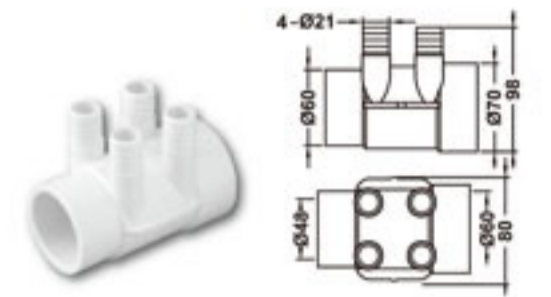
**PORT AIR MANIFOLD**

Model	Code	Colour	Material
EM1825	88180212	White	ABS



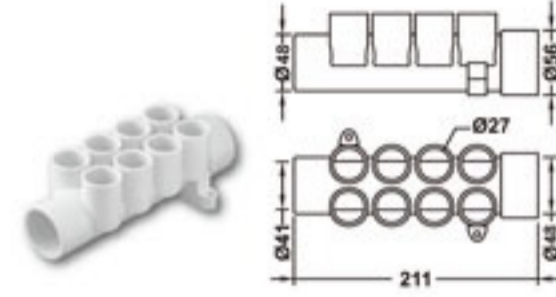
**PORT AIR MANIFOLD**

Model	Code	Colour	Material
EM1865	88180412	White	PVC



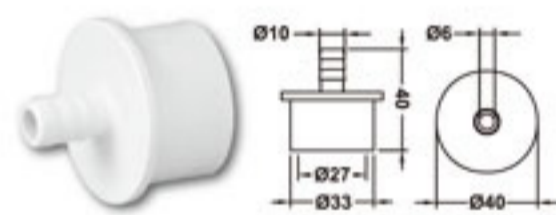
**PORT WATER BARB MANIFOLD**

Model	Code	Colour	Material
EM1824	88180112	White	ABS



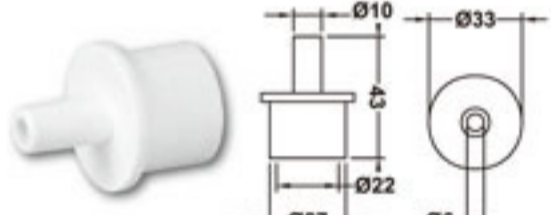
**PORT WATER BARB MANIFOLD**

Model	Code	Colour	Material
EM1864	88180312	White	PVC



**BARB PLUG**

Model	Code	Colour	Material
EM1815	88190112	White	PVC



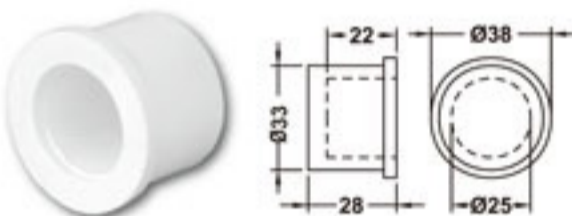
**BARB PLUG**

Model	Code	Colour	Material
EM1816	88190212	White	PVC



**PIPE PLUG**

Model	Code	Colour	Material
EM1818A	88190312	White	PVC

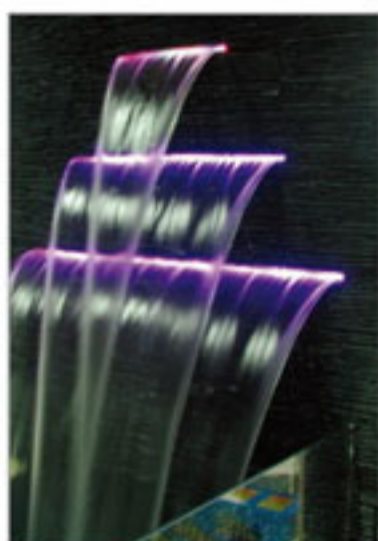
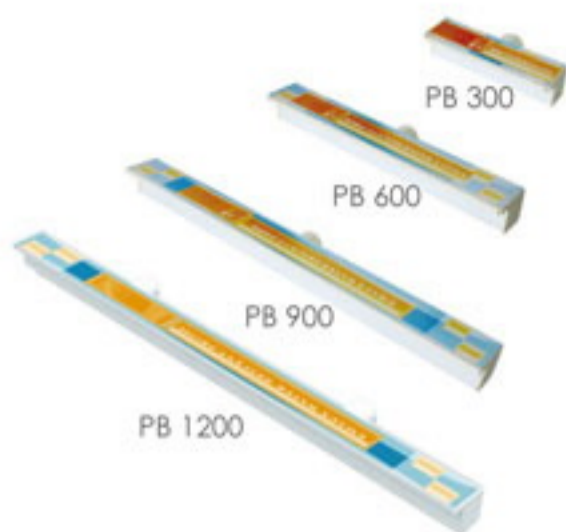


**PIPE PLUG**

Model	Code	Colour	Material
EM1818B	88190512	White	PVC



# WATER DESCENT



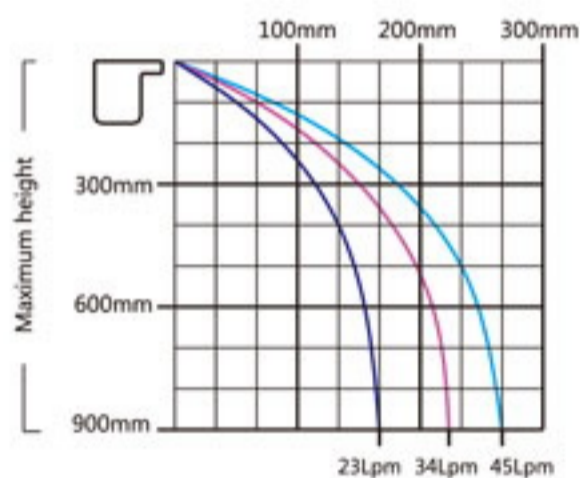
## Water Descent

Available in 24 different models this water descent product line can suit different wall-mounting requirements. One of them accompanied by a small pump and filter combination provides you vibrant colourful LED waterfall which adds to your backyard visual interest, soothing sound of flowing water and moist fresh air.

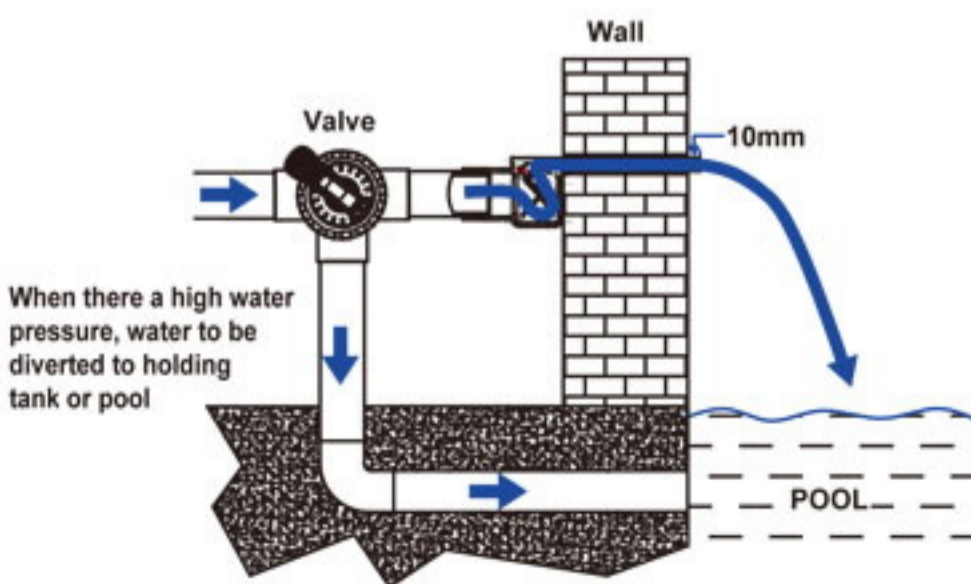
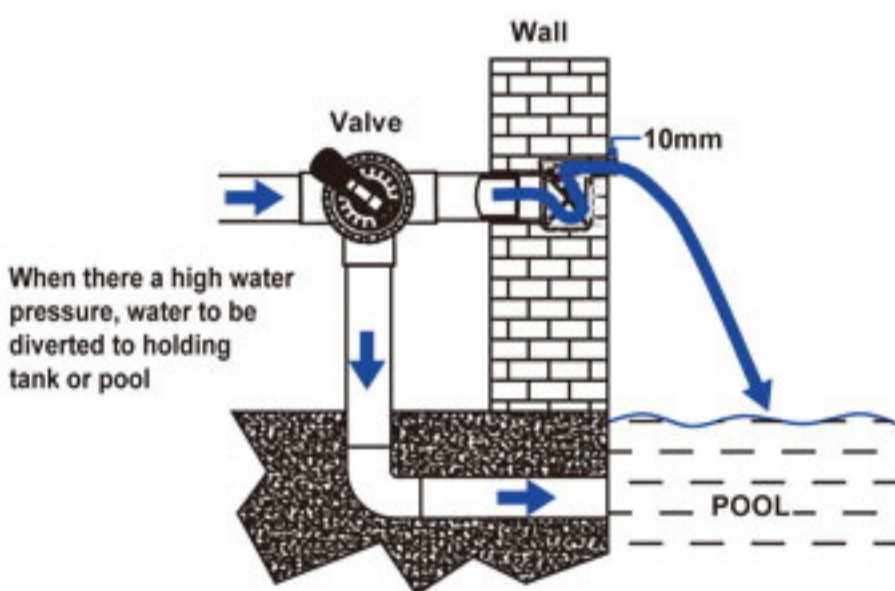
## Features

1. Steady and even flow produces state of art artificial waterfall
2. Inbuilt water-proof LEDs adds colours to water
3. LED is powered by external 12V DC, which is safe and reliable
4. The LEDs can be operated through panel or remote control and 10 lighting patterns are available
5. Different lengths of lips in different models can fit various brick sizes for installation
6. Multiple water descents can share the same controller and act in same paces

## Technical Information



APPROXIMATE PROJECTION OF SHEET OF WATER PER 300MM OF WATERFALL LENGTH

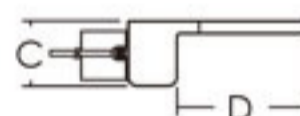
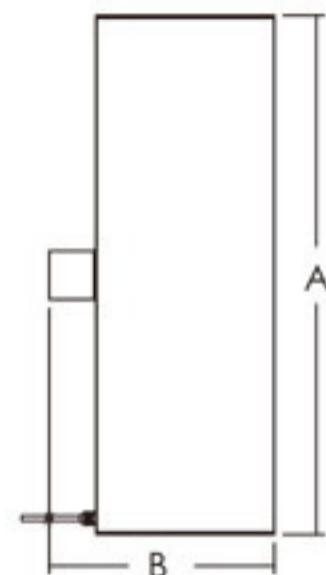


Designed to fit single brick walls & limestone block walls during construction

# WATER DESCENT

## Product Information & Dimension

Code	Model No	CONNECTION SIZE mm		A mm	B mm	C mm	D mm	POWER	VOLTS
With LED									
88480101	PB300-25(L)	1.5 inch	50mm	306	138	76	25	4W	DC12V
88480102	PB300-150(L)	1.5 inch	50mm	306	263	76	150	4W	DC12V
88480103	PB300-230(L)	1.5 inch	50mm	306	343	76	230	4W	DC12V
88480111	PB600-25(L)	1.5 inch	50mm	606	138	76	25	8W	DC12V
88480112	PB600-150(L)	1.5 inch	50mm	606	263	76	150	8W	DC12V
88480113	PB600-230(L)	1.5 inch	50mm	606	343	76	230	8W	DC12V
88480121	PB900-25(L)	1.5 inch	50mm	906	138	76	25	12W	DC12V
88480122	PB900-150(L)	1.5 inch	50mm	906	263	76	150	12W	DC12V
88480123	PB900-230(L)	1.5 inch	50mm	906	343	76	230	12W	DC12V
88480131	PB1200-25(L)	1.5 inch	50mm	1206	138	76	25	17W	DC12V
88480132	PB1200-150(L)	1.5 inch	50mm	1206	263	76	150	17W	DC12V
88480133	PB1200-230(L)	1.5 inch	50mm	1206	343	76	230	17W	DC12V
Without LED									
88485001	PB300-25	1.5 inch	50mm	306	138	76	25	-	-
88485002	PB300-150	1.5 inch	50mm	306	263	76	150	-	-
88485003	PB300-230	1.5 inch	50mm	306	343	76	230	-	-
88485011	PB600-25	1.5 inch	50mm	606	138	76	25	-	-
88485012	PB600-150	1.5 inch	50mm	606	263	76	150	-	-
88485013	PB600-230	1.5 inch	50mm	606	343	76	230	-	-
88485021	PB900-25	1.5 inch	50mm	906	138	76	25	-	-
88485022	PB900-150	1.5 inch	50mm	906	263	76	150	-	-
88485023	PB900-230	1.5 inch	50mm	906	343	76	230	-	-
88485031	PB1200-25	1.5 inch	50mm	1206	138	76	25	-	-
88485032	PB1200-150	1.5 inch	50mm	1206	263	76	150	-	-
88485033	PB1200-230	1.5 inch	50mm	1206	343	76	230	-	-



## Water Descent Control Box

With input AC 170-250V/50-60Hz & OUTPUT DC12V/60W, it provides 10 patterns on LED Bar.

Code	Model No	Description
08080016	WTD-CB	LED WATER DESCENT Control Box

Working temperature	-20~+40°C
Input	AC 220V±15% , 50/60Hz
Output	DC 12V , 60W



# COUNTER CURRENT JET



## Counter Current Jet

Perfect for smaller pools where space is limited, a counter current jet system can ensure a decent swim for swimmers of all levels.

## Applications

For fitness training, underwater massage and endless no-lap swimming and unnecessary tumble turns.

## Features

1. Powerful counter current.
2. Product can be used as a single or double jet system with one or two pumps.
3. Counter current face plate with LED Light.
4. On/Off light switch mounted on the jet face plate, easy access when you're in the water.
5. Adjust the valve to control the bubble effect.
6. Water flow can be changed through the rotating jet.



Adjustable Nozzle



Under Water On/Off Switch

## Technical Information

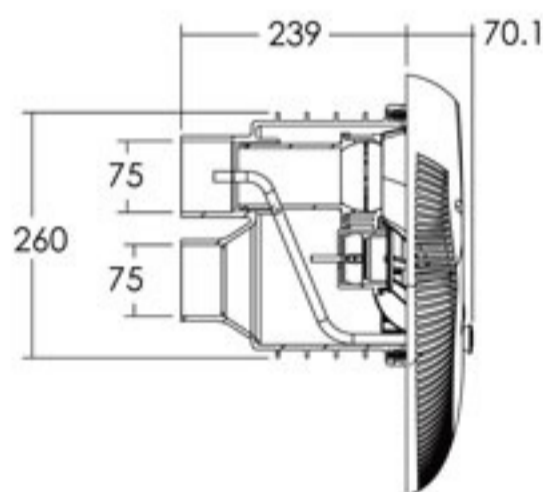
Water Pump Selection	Qmax		Hmax (m)	V/Hz	Power	
	m <sup>3</sup> /h	l/min			KW	HP
With one AFS40 pump	75	1300	13	380/50	3.00	4.0
With one AFS55 pump	90	1500	17.5	380/50	4.00	5.5
With one SR30 pump	28	480	20	220/50	2.18	3.0
With two SR30 pump	50	850	25	220/50	2x2.18	2x3.0



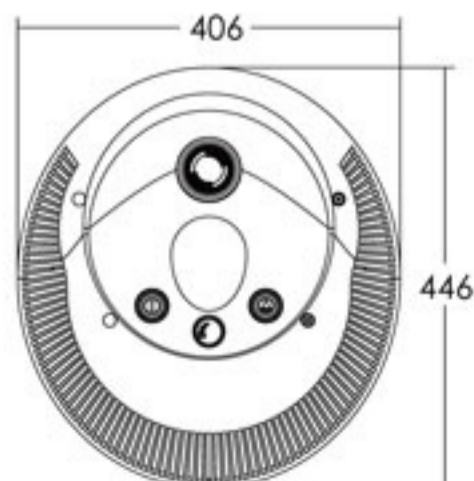
RGB Color Water Light



LED White Water Light

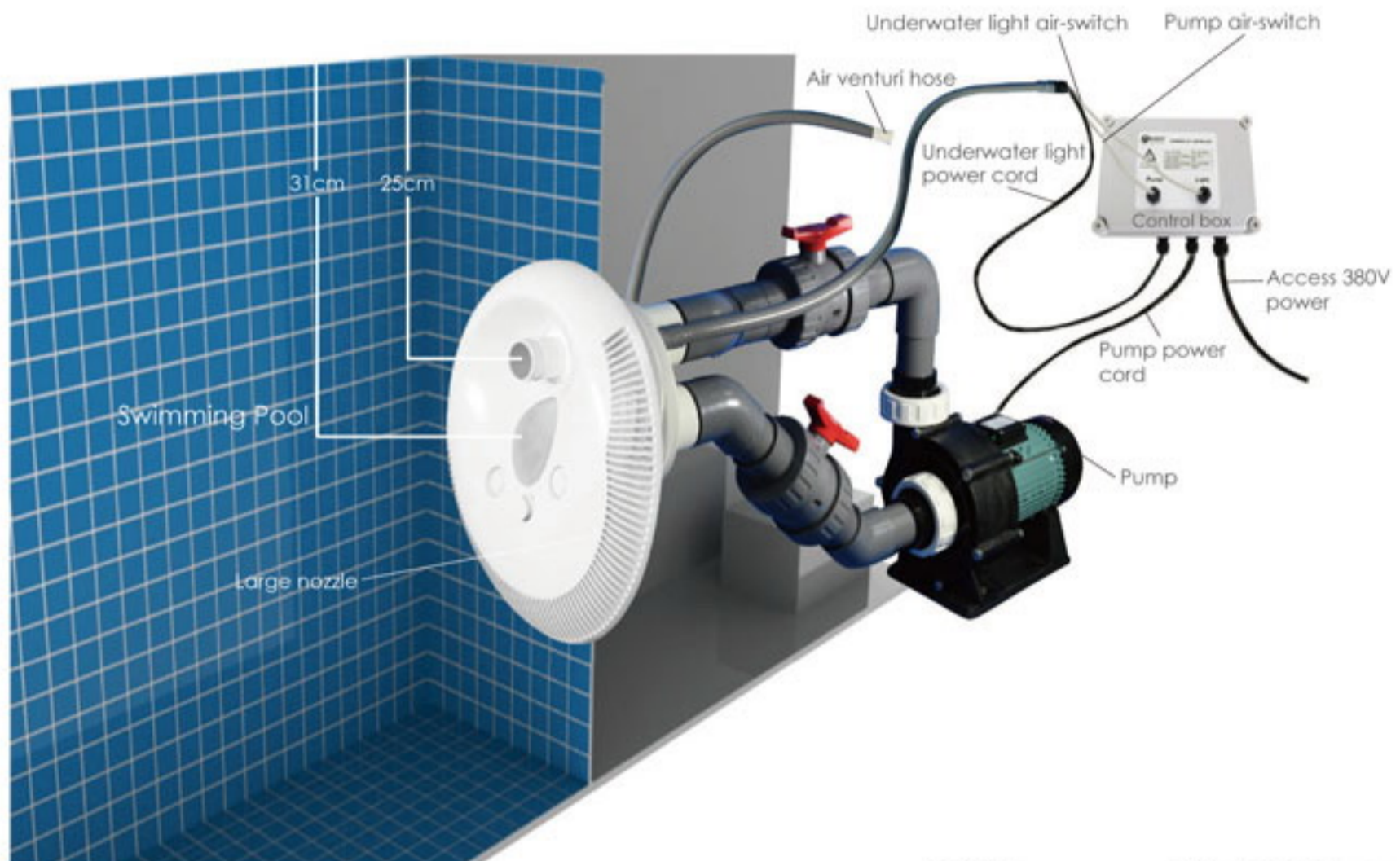


Durable ABS Structure



# COUNTER CURRENT JET

## Counter Current Jet System Installation (with 1 pump setting)



- 89090101 Piping kit for AFS series pump
- 89090102 Piping kit for SR series pump

## Counter Current Jet System Installation (with 2 pumps setting)



- 89090103 Piping kit for 2 x SR pump

# COUNTER CURRENT JET

Various Accessories For Counter Current Jet (with 2 pumps setting)



Counter Current Jet  
Control Box (220V/380V)



AFS Series  
Pump



SR Series Pump

Working Temperature	-20~+40°C
Input	AC220V
	AC380V
Output(Light)	AC 12V, 1W
Output(Pump)	AC 220V/50Hz,4.4kW
	AC 380V/50Hz,4.4kW



Air Switch & Air Venturi Hose

## Ordering Details

Code	Model No	Description
88093212	EM0055	Counter Current Jet W/LED light RGB
88093412	EM0055	Counter Current Jet W/LED light white
08080020	SWJ-CB	Counter Current Jet Control Box 220V
08080021	SWJ-CB	Counter Current Jet Control Box 380V
89090101	N/A	Piping Kit for AFS40 & AFS55 pump
89090102	N/A	Piping Kit for 1 x SR30 pump
89090103	N/A	Piping Kit for 2 x SR30 pump

# NSL SERIES LADDER



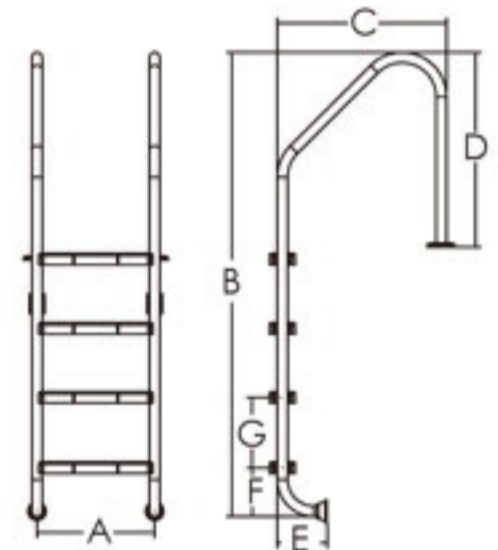
Handrails in polished stainless steel 304 or 316 (Φ 42mm) tube. Step available in stainless steel and plastic. Complete with anchoring fixtures or flange fixtures.

## Anchor Type Stainless Steel Step

Code (AISI-304)	Code (AISI-316)	Model	A mm	B mm	C mm	D mm	E mm	F mm	G mm
88072601	88072606	NSL215-S	493	1320	686	788	190	200	250
88072602	88072607	NSL315-S	493	1570	686	788	190	200	250
88072603	88072608	NSL415-S	493	1820	686	788	190	200	250
88072604	88072609	NSL515-S	493	2070	686	788	190	200	250
88072613	88072616	NSL815-S	493	2830	692	699	190	200	250



NSL815



## Anchor Type Stainless Steel Step (anti-slippery pad)

Code (AISI-304)	Code (AISI-316)	Model	A mm	B mm	C mm	D mm	E mm	F mm	G mm
88076501	88076506	NSL215-SR	493	1320	686	788	190	200	250
88076502	88076507	NSL315-SR	493	1570	686	788	190	200	250
88076503	88076508	NSL415-SR	493	1820	686	788	190	200	250
88076504	88076509	NSL515-SR	493	2070	686	788	190	200	250
88076513	88076516	NSL815-SR	493	2830	692	699	190	200	250



Stainless Steel Step

## Anchor Type Plastic Step

Code (AISI-304)	Code (AISI-316)	Model	A mm	B mm	C mm	D mm	E mm	F mm	G mm
88072701	88072706	NSL215-P	476	1320	686	788	190	200	250
88072702	88072707	NSL315-P	476	1570	686	788	190	200	250
88072703	88072708	NSL415-P	476	1820	686	788	190	200	250
88072704	88072709	NSL515-P	476	2070	686	788	190	200	250
88072713	88072716	NSL815-P	476	2830	692	699	190	200	250



Stainless Steel Step (anti-slippery pad)



Anchor Type



Ancillary Shoring



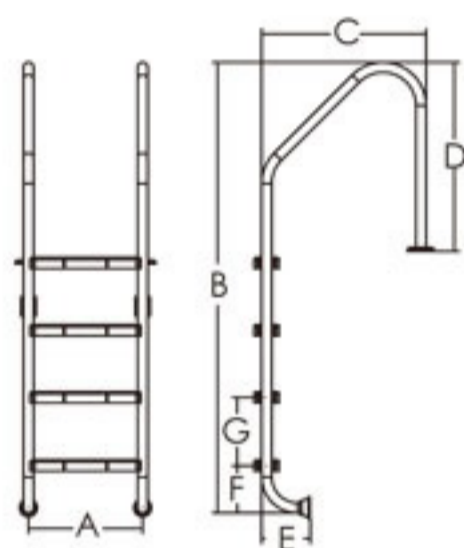
Plastic Step

# SLF SERIES LADDER

Handrails in polished stainless steel 304 or 316 (Φ 42mm) tube. Step available in stainless steel and plastic. Complete with anchoring fixtures or flange fixtures.

## Flange Type Stainless Steel Step

Code (AISI-304)	Code (AISI-316)	Model	A mm	B mm	C mm	D mm	E mm	F mm	G mm
88072001	88072006	SLF215-S	493	1320	686	788	190	200	250
88072002	88072007	SLF315-S	493	1570	686	788	190	200	250
88072003	88072008	SLF415-S	493	1820	686	788	190	200	250
88072004	88072009	SLF515-S	493	2070	686	788	190	200	250
88072013	88072016	SLF815-S	493	2830	692	699	190	200	250



SLF815

## Flange Type Stainless Steel Step (anti-slippery pad)

Code (AISI-304)	Code (AISI-316)	Model	A mm	B mm	C mm	D mm	E mm	F mm	G mm
88077201	88077206	SLF215-SR	493	1320	686	788	190	200	250
88077202	88077207	SLF315-SR	493	1570	686	788	190	200	250
88077203	88077208	SLF415-SR	493	1820	686	788	190	200	250
88077204	88077209	SLF515-SR	493	2070	686	788	190	200	250
88077213	88077216	SLF815-SR	493	2830	692	699	190	200	250



Stainless Steel Step



Stainless Steel Step (anti-slippery pad)

## Flange Type Plastic Step

Code (AISI-304)	Code (AISI-316)	Model	A mm	B mm	C mm	D mm	E mm	F mm	G mm
88072101	88072106	SLF215-P	476	1320	686	788	190	200	250
88072102	88072107	SLF315-P	476	1570	686	788	190	200	250
88072103	88072108	SLF415-P	476	1820	686	788	190	200	250
88072104	88072109	SLF515-P	476	2070	686	788	190	200	250
88072113	88072116	SLF815-P	476	2830	692	699	190	200	250



Plastic Step



Flange Type



Ancillary Shoring

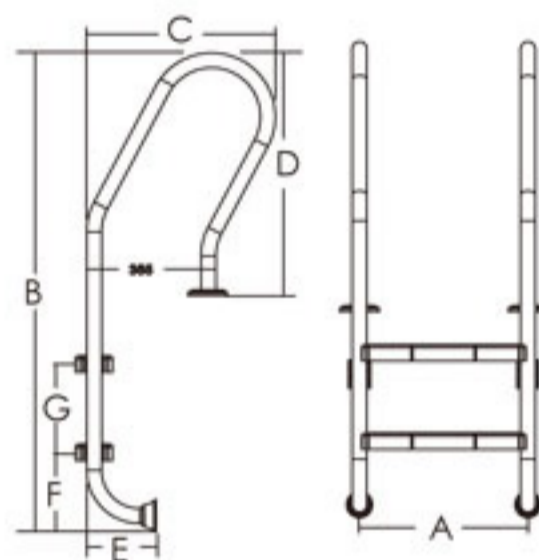
## NSF SERIES LADDER



Handrails in polished stainless steel 304 or 316 (Φ 42mm) tube. Step available in stainless steel and plastic. Complete with anchoring fixtures or flange fixtures.

### Anchor Type Stainless Steel Step

Code (AISI-304)	Code (AISI-316)	Model	A mm	B mm	C mm	D mm	E mm	F mm	G mm
88072401	88072406	NSF215-S	493	1330	533	709	190	200	250
88072402	88072407	NSF315-S	493	1580	533	709	190	200	250
88072403	88072408	NSF415-S	493	1830	533	709	190	200	250
88072404	88072409	NSF515-S	493	2080	533	709	190	200	250



### Anchor Type Stainless Steel Step (anti-slippery pad)

Code (AISI-304)	Code (AISI-316)	Model	A mm	B mm	C mm	D mm	E mm	F mm	G mm
88076701	88076706	NSF215-SR	493	1330	533	709	190	200	250
88076702	88076707	NSF315-SR	493	1580	533	709	190	200	250
88076703	88076708	NSF415-SR	493	1830	533	709	190	200	250
88076704	88076709	NSF515-SR	493	2080	533	709	190	200	250



Stainless Steel Step

### Anchor Type Plastic Step

Code (AISI-304)	Code (AISI-316)	Model	A mm	B mm	C mm	D mm	E mm	F mm	G mm
88072501	88072506	NSF215-P	476	1330	533	709	190	200	250
88072502	88072507	NSF315-P	476	1580	533	709	190	200	250
88072503	88072508	NSF415-P	476	1830	533	709	190	200	250
88072504	88072509	NSF515-P	476	2080	533	709	190	200	250



Stainless Steel Step (anti-slippery pad)



Anchor Type



Plastic Step

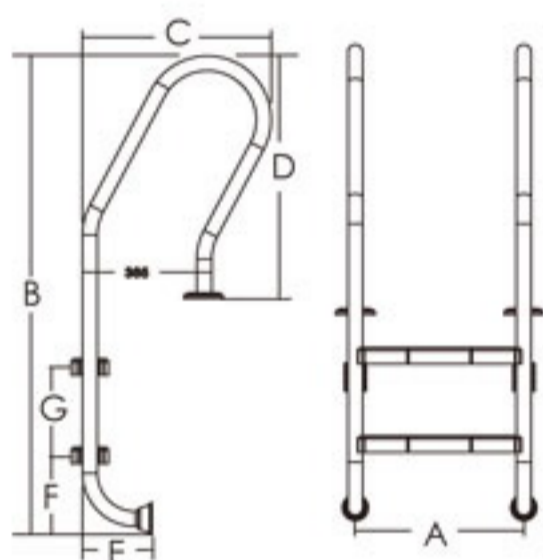


## SFF SERIES LADDER

Handrails in polished stainless steel 304 or 316 (Φ 42mm) tube. Step available in stainless steel and plastic. Complete with anchoring fixtures or flange fixtures.

### Flange Type Stainless Steel Step

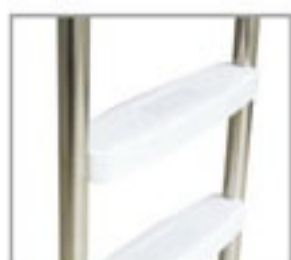
Code (AISI-304)	Code (AISI-316)	Model	A mm	B mm	C mm	D mm	E mm	F mm	G mm
88071801	88071806	SFF215-S	493	1330	533	709	190	200	250
88071802	88071807	SFF315-S	493	1580	533	709	190	200	250
88071803	88071808	SFF415-S	493	1830	533	709	190	200	250
88071804	88071809	SFF515-S	493	2080	533	709	190	200	250



Stainless Steel Step



Stainless Steel Step (anti-slippery pad)



Plastic Step



Flange Type

### Flange Type Stainless Steel Step (anti-slippery pad)

Code (AISI-304)	Code (AISI-316)	Model	A mm	B mm	C mm	D mm	E mm	F mm	G mm
88077401	88077406	SFF215-SR	493	1330	533	709	190	200	250
88077402	88077407	SFF315-SR	493	1580	533	709	190	200	250
88077403	88077408	SFF415-SR	493	1830	533	709	190	200	250
88077404	88077409	SFF515-SR	493	2080	533	709	190	200	250

### Flange Type Plastic Step

Code (AISI-304)	Code (AISI-316)	Model	A mm	B mm	C mm	D mm	E mm	F mm	G mm
88071901	88071906	SFF215-P	476	1330	533	709	190	200	250
88071902	88071907	SFF315-P	476	1580	533	709	190	200	250
88071903	88071908	SFF415-P	476	1830	533	709	190	200	250
88071904	88071909	SFF515-P	476	2080	533	709	190	200	250

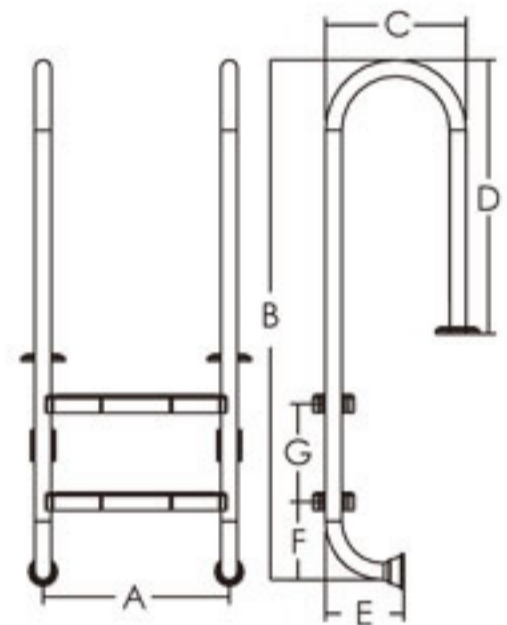
# NMU SERIES LADDER



Handrails in polished stainless steel 304 or 316 (Φ 42mm) tube. Step available in stainless steel and plastic. Complete with anchoring fixtures or flange fixtures.

## Anchor Type Stainless Steel Step

Code (AISI-304)	Code (AISI-316)	Model	A mm	B mm	C mm	D mm	E mm	F mm	G mm
88072801	88072806	NMU215-S	493	1330	360	700	190	200	250
88072802	88072807	NMU315-S	493	1580	360	700	190	200	250
88072803	88072808	NMU415-S	493	1830	360	700	190	200	250
88072804	88072809	NMU515-S	493	2080	360	700	190	200	250



## Anchor Type Stainless Steel Step (anti-slippery pad)

Code (AISI-304)	Code (AISI-316)	Model	A mm	B mm	C mm	D mm	E mm	F mm	G mm
88076601	88076606	NMU215-SR	493	1330	360	700	190	200	250
88076602	88076607	NMU315-SR	493	1580	360	700	190	200	250
88076603	88076608	NMU415-SR	493	1830	360	700	190	200	250
88076604	88076609	NMU515-SR	493	2080	360	700	190	200	250



Stainless Steel Step

## Anchor Type Plastic Step

Code (AISI-304)	Code (AISI-316)	Model	A mm	B mm	C mm	D mm	E mm	F mm	G mm
88072901	88072906	NMU215-P	476	1330	360	700	190	200	250
88072902	88072907	NMU315-P	476	1580	360	700	190	200	250
88072903	88072908	NMU415-P	476	1830	360	700	190	200	250
88072904	88072909	NMU515-P	476	2080	360	700	190	200	250



Stainless Steel Step (anti-slippery pad)



Anchor Type



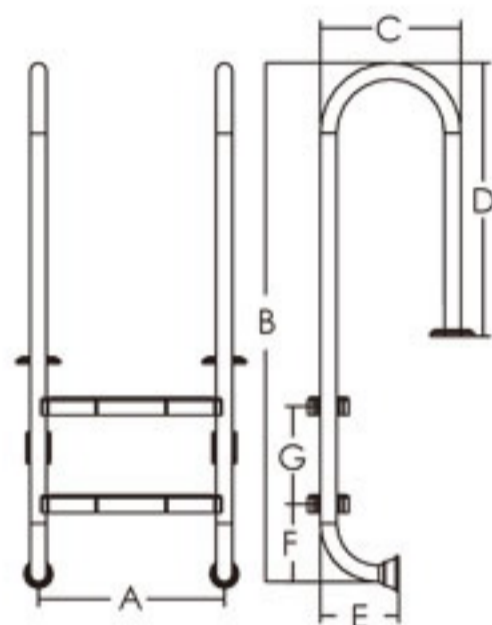
Plastic Step

## MUF SERIES LADDER

Handrails in polished stainless steel 304 or 316 ( $\Phi$  42mm) tube. Step available in stainless steel and plastic. Complete with anchoring fixtures or flange fixtures.

## Flange Type Stainless Steel Step

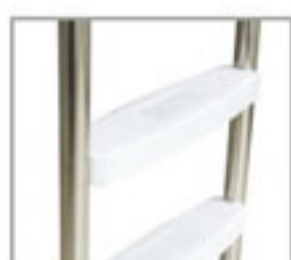
Code (AISI-304)	Code (AISI-316)	Model	A mm	B mm	C mm	D mm	E mm	F mm	G mm
88072201	88072206	MUF215-S	493	1330	360	700	190	200	250
88072202	88072207	MUF315-S	493	1580	360	700	190	200	250
88072203	88072208	MUF415-S	493	1830	360	700	190	200	250
88072204	88072209	MUF515-S	493	2080	360	700	190	200	250



Stainless Steel Step



Stainless Steel Step (anti-slippery pad)



Plastic Step



Flange Type

## Flange Type Stainless Steel Step (anti-slippery pad)

Code (AISI-304)	Code (AISI-316)	Model	A mm	B mm	C mm	D mm	E mm	F mm	G mm
88077301	88077306	MUF215-SR	493	1330	360	700	190	200	250
88077302	88077307	MUF315-SR	493	1580	360	700	190	200	250
88077303	88077308	MUF415-SR	493	1830	360	700	190	200	250
88077304	88077309	MUF515-SR	493	2080	360	700	190	200	250

## Flange Type Plastic Step

Code (AISI-304)	Code (AISI-316)	Model	A mm	B mm	C mm	D mm	E mm	F mm	G mm
88072301	88072306	MUF215-P	476	1330	360	700	190	200	250
88072302	88072307	MUF315-P	476	1580	360	700	190	200	250
88072303	88072308	MUF415-P	476	1830	360	700	190	200	250
88072304	88072309	MUF515-P	476	2080	360	700	190	200	250

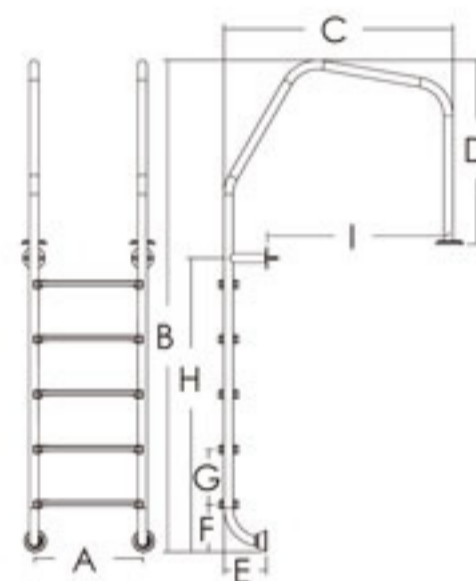
## OF SERIES LADDER



With polished Stainless Steel pipe ( $\Phi$  42mm), this ladder is specially designed for overflow pool with attractive appearance. Easily installed with anchoring or flange fixtures. Rails and steps in both AISI-304 and AISI-316 available.

### Anchor Type Stainless Steel Step

Code (AISI-304)	Code (AISI-316)	Model	A mm	B mm	C mm	D mm	E mm	F mm	G mm	H mm	I mm
88073201	88073206	OF215-S	493	1460	1042	750	190	200	250	561	831
88073202	88073207	OF315-S	493	1710	1042	750	190	200	250	811	831
88073203	88073208	OF415-S	493	1960	1042	750	190	200	250	1061	831
88073204	88073209	OF515-S	493	2210	1042	750	190	200	250	1311	831



### Anchor Type Stainless Steel Step (anti-slippery pad)

Code (AISI-304)	Code (AISI-316)	Model	A mm	B mm	C mm	D mm	E mm	F mm	G mm	H mm	I mm
88076801	88076806	OF215-SR	493	1460	1042	750	190	200	250	561	831
88076802	88076807	OF315-SR	493	1710	1042	750	190	200	250	811	831
88076803	88076808	OF415-SR	493	1960	1042	750	190	200	250	1061	831
88076804	88076809	OF515-SR	493	2210	1042	750	190	200	250	1311	831



Stainless Steel Step

### Anchor Type Plastic Step

Code (AISI-304)	Code (AISI-316)	Model	A mm	B mm	C mm	D mm	E mm	F mm	G mm	H mm	I mm
88073301	88073306	OF215-P	476	1460	1042	750	190	200	250	561	831
88073302	88073307	OF315-P	476	1710	1042	750	190	200	250	811	831
88073303	88073308	OF415-P	476	1960	1042	750	190	200	250	1061	831
88073304	88073309	OF515-P	476	2210	1042	750	190	200	250	1311	831



Stainless Steel Step (anti-slippery pad)



Anchor Type



Ancillary Shoring



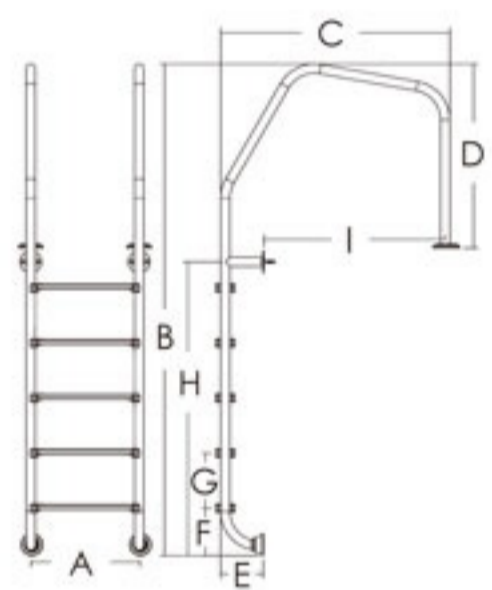
Plastic Step

## OFF SERIES LADDER

With polished Stainless Steel pipe ( $\Phi$  42mm), this ladder is specially designed for overflow pool with attractive appearance. Easily installed with anchoring or flange fixtures. Rails and steps in both AISI-304 and AISI-316 available.

### Flange Type Stainless Steel Step

Code (AISI-304)	Code (AISI-316)	Model	A mm	B mm	C mm	D mm	E mm	F mm	G mm	H mm	I mm
88073401	88073406	OFF215-S	493	1460	1042	750	190	200	250	561	831
88073402	88073407	OFF315-S	493	1710	1042	750	190	200	250	811	831
88073403	88073408	OFF415-S	493	1960	1042	750	190	200	250	1061	831
88073404	88073409	OFF515-S	493	2210	1042	750	190	200	250	1311	831



Stainless Steel Step



Stainless Steel Step (anti-slippery pad)



Plastic Step



Ancillary Shoring



Flange Type

### Flange Type Stainless Steel Step (anti-slippery pad)

Code (AISI-304)	Code (AISI-316)	Model	A mm	B mm	C mm	D mm	E mm	F mm	G mm	H mm	I mm
88077501	88077506	OFF215-SR	493	1460	1042	750	190	200	250	561	831
88077502	88077507	OFF315-SR	493	1710	1042	750	190	200	250	811	831
88077503	88077508	OFF415-SR	493	1960	1042	750	190	200	250	1061	831
88077504	88077509	OFF515-SR	493	2210	1042	750	190	200	250	1311	831

### Flange Type Plastic Step

Code (AISI-304)	Code (AISI-316)	Model	A mm	B mm	C mm	D mm	E mm	F mm	G mm	H mm	I mm
88073501	88073506	OFF215-P	476	1460	1042	750	190	200	250	561	831
88073502	88073507	OFF315-P	476	1710	1042	750	190	200	250	811	831
88073503	88073508	OFF415-P	476	1960	1042	750	190	200	250	1061	831
88073504	88073509	OFF515-P	476	2210	1042	750	190	200	250	1311	831

## ARA / ARB / ARC SERIES EXIT HANDRAIL

Polished AISI-304 or AISI-316 Stainless Steel (Φ 42mm) pipe. Both anchor and flange installations are available.

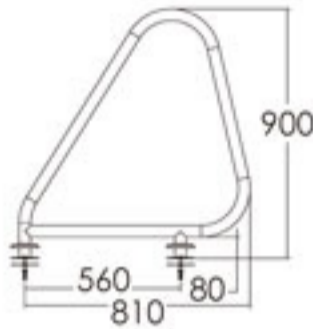


### Anchor Type

Model	Description	Code
ARA	AISI 304 Exit Handrail	88074105
ARA	AISI 316 Exit Handrail	88074110

### Flange Type

Model	Description	Code
ARA-F	AISI 304 Exit Handrail	88074005
ARA-F	AISI 316 Exit Handrail	88074010



## ARB SERIE EXIT HANDRAILS

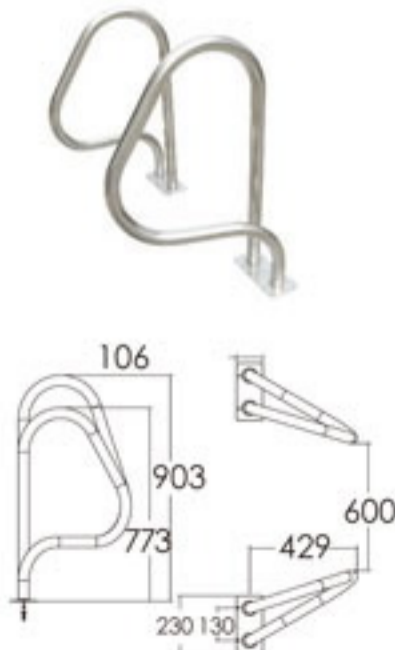
Polished AISI-304 or AISI-316 Stainless Steel (Φ 42mm) pipe.



Model	Description	Code
ARB-F	AISI 304 Exit Handrail	88074205
ARB-F	AISI 316 Exit Handrail	88074210

## ARC SERIE EXIT HANDRAILS

Polished AISI-304 or AISI-316 Stainless Steel (Φ 42mm) pipe. Both anchor and flange installations are available.



Model	Description	Code
ARC-F	AISI 304 Exit Handrail	88074305
ARC-F	AISI 316 Exit Handrail	88074310

## ARG / ARN / ARS SERIES EXIT HANDRAIL

Polished AISI-304 or AISI-316 Stainless Steel (Φ 42mm) pipe. Both anchor and flange installations are available.

### Anchor Type

Model	Description	Code
ARG	AISI 304 Exit Handrail	88074505
ARG	AISI 316 Exit Handrail	88074510

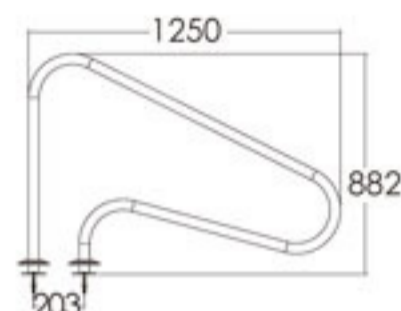
### Flange Type

Model	Description	Code
ARG-F	AISI 304 Exit Handrail	88074405
ARG-F	AISI 316 Exit Handrail	88074410



Anchor Type

Flange Type



## ARN SERIE EXIT HANDRAILS

Polished AISI-304 or AISI-316 Stainless Steel (Φ 42mm) pipe. Both anchor and flange installations are available. Suitable for 4 steps or 5 steps of concrete step.

### Anchor Type

Code (AISI-304)	Code (AISI-316)	Model	Description	L mm	A mm	B mm
88074703	88074708	ARN415	Exit Handrail - 4 Steps	1220	800	608
88074704	88074709	ARN515	Exit Handrail - 5 Steps	1524	800	855

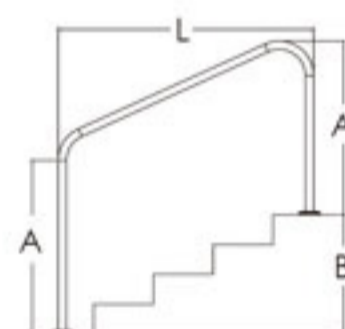
### Flange Type

Code (AISI-304)	Code (AISI-316)	Model	Description	L mm	A mm	B mm
88074603	88074608	ARN415-F	Exit Handrail - 4 Steps	1220	800	608
88074604	88074609	ARN515-F	Exit Handrail - 5 Steps	1524	800	855



Anchor Type

Flange Type



## ARS SERIE EXIT HANDRAILS

Polished AISI-304 or AISI-316 Stainless Steel (Φ 42mm) pipe. Both anchor and flange installations are available.

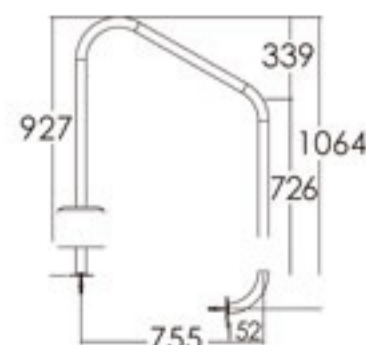
Model	Description	Code
ARS	AISI 304 Exit Handrail	88074905
ARS	AISI 316 Exit Handrail	88074910

Model	Description	Code
ARS-F	AISI 304 Exit Handrail	88074805
ARS-F	AISI 316 Exit Handrail	88074810



Anchor Type

Flange Type



## ARP / ARV SERIES EXIT HANDRAIL

Polished AISI-304 or AISI-316 Stainless Steel (Φ42mm) pipe. Both anchor and flange installations are available.

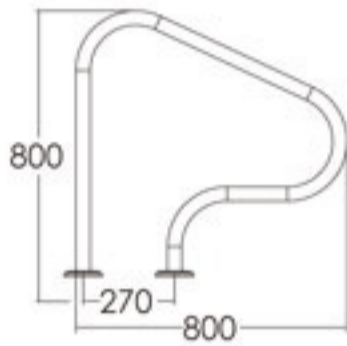


### Anchor Type

Model	Description	Code
ARP	AISI 304 Exit Handrail	88073005
ARP	AISI 316 Exit Handrail	88073010

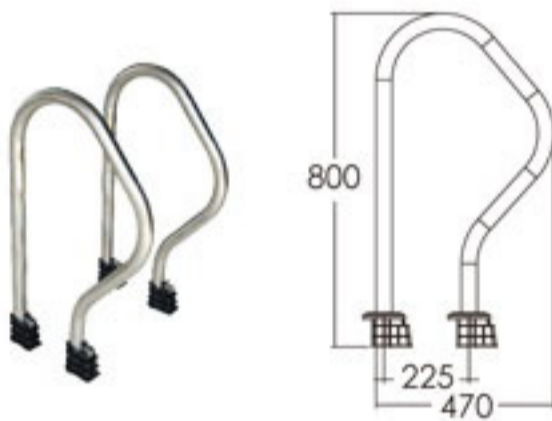
### Flange Type

Model	Description	Code
ARP-F	AISI 304 Exit Handrail	88073605
ARP-F	AISI 316 Exit Handrail	88073610



## ARV SERIE EXIT HANDRAILS

Polished AISI-304 or AISI-316 Stainless Steel (Φ42mm) pipe. Both anchor and flange installations are available.



Model	Description	Code
ARV	AISI 304 Exit Handrail	88073105
ARV	AISI 316 Exit Handrail	88073110

## STRAIGHT GRABRAIL

### Straight

Polished Stainless Steel AISI-304 or AISI-316. Handrail length varies from 0.5m to 3.0m.



Code (AISI-304)	Code (AISI-316)	Model	Description
88076417	88076423	L050	500mm Straight Grabrail
88076418	88076424	L100	1000mm Straight Grabrail
88076419	88076425	L150	1500mm Straight Grabrail
88076420	88076426	L200	2000mm Straight Grabrail
88076421	88076427	L250	2500mm Straight Grabrail
88076422	88076428	L300	3000mm Straight Grabrail



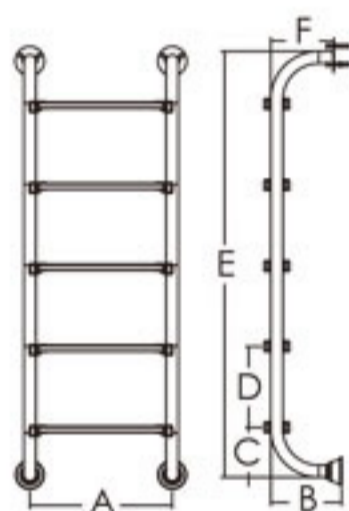
# LADDER LOWER PART

## BHK Series

Polished AISI-304 or AISI-316 Stainless Steel (Φ42mm) pipe. Both anchor and flange installations are available.

### Stainless Steel Step

Code (AISI-304)	Code (AISI-316)	Model	A mm	B mm	C mm	D mm	E mm	F mm
88075001	88075006	BHK215-S	493	222	172	280	632	222
88075002	88075007	BHK315-S	493	222	172	280	912	222
88075003	88075008	BHK415-S	493	222	172	280	1192	222
88075004	88075009	BHK515-S	493	222	172	280	1472	222



Stainless Steel Step



Stainless Steel Step (anti-slippery pad)



Plastic Step



Flange Type

### Stainless Steel Step (anti-slippery pad)

Code (AISI-304)	Code (AISI-316)	Model	A mm	B mm	C mm	D mm	E mm	F mm
88077001	88077006	BHK215-SR	493	222	172	280	632	222
88077002	88077007	BHK315-SR	493	222	172	280	912	222
88077003	88077008	BHK415-SR	493	222	172	280	1192	222
88077004	88077009	BHK515-SR	493	222	172	280	1472	222

### Plastic Step

Code (AISI-304)	Code (AISI-316)	Model	A mm	B mm	C mm	D mm	E mm	F mm
88075101	88075106	BHK215-P	476	222	172	280	632	222
88075102	88075107	BHK315-P	476	222	172	280	912	222
88075103	88075108	BHK415-P	476	222	172	280	1192	222
88075104	88075109	BHK515-P	476	222	172	280	1472	222

# LADDER LOWER PART



## BHL Series

Polished AISI-304 or AISI-316 Stainless Steel (Φ42mm) pipe. Both anchor and flange installations are available.

## Stainless Steel Step

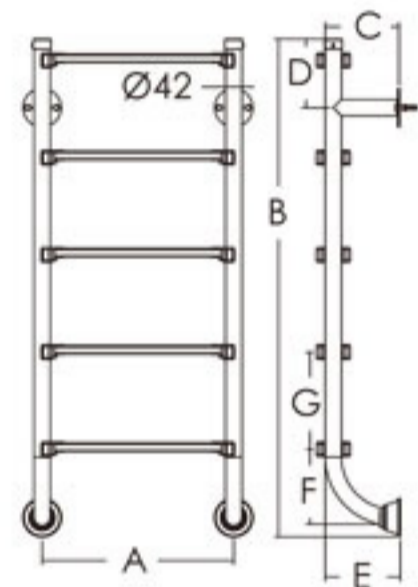
Code (AISI-304)	Code (AISI-316)	Model	A mm	B mm	C mm	D mm	E mm	F mm	G mm
88073801	88073806	BHL215-S	493	530	190	177	190	200	250
88073802	88073807	BHL315-S	493	780	190	177	190	200	250
88073803	88073808	BHL415-S	493	1030	190	177	190	200	250
88073804	88073809	BHL515-S	493	1280	190	177	190	200	250

## Stainless Steel Step (anti-slippery pad)

Code (AISI-304)	Code (AISI-316)	Model	A mm	B mm	C mm	D mm	E mm	F mm	G mm
88077101	88077106	BHL215-SR	493	530	190	177	190	200	250
88077102	88077107	BHL315-SR	493	780	190	177	190	200	250
88077103	88077108	BHL415-SR	493	1030	190	177	190	200	250
88077104	88077109	BHL515-SR	493	1280	190	177	190	200	250

## Plastic Step

Code (AISI-304)	Code (AISI-316)	Model	A mm	B mm	C mm	D mm	E mm	F mm	G mm
88073901	88073906	BHL215-P	476	530	190	177	190	200	250
88073902	88073907	BHL315-P	476	780	190	177	190	200	250
88073903	88073908	BHL415-P	476	1030	190	177	190	200	250
88073904	88073909	BHL515-P	476	1280	190	177	190	200	250



Stainless Steel Step



Stainless Steel Step (anti-slippery pad)



Ancillary Shoring



Plastic Step

# HANDRAIL COMPONENT

The following components are for the installation of grab rails around the edge of the pool.

## Straight handrails

Polished Stainless Steel AISI-316 or AISI-304. Handrail length in 1m

	Code
With AISI-304	03016221
With AISI-316	03016220



## Straight connector

Polished Stainless Steel AISI-316 or AISI-304. For joining  $\Phi 42$ mm pipe.

	Code
With AISI-304	03016223
With AISI-316	03016222



## Curved Connector

Polished Stainless Steel AISI-316 or AISI-304. For joining  $\Phi 42$ mm pipe.

	Code
With AISI-304	03016225
With AISI-316	03016224



## End Cap

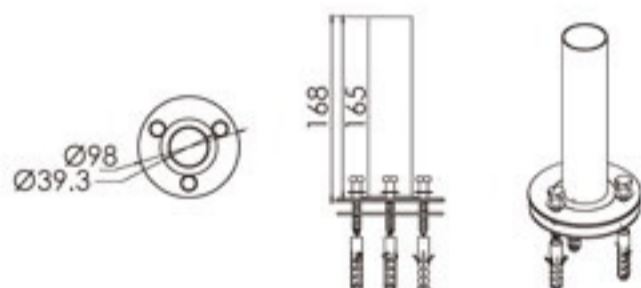
Polished Stainless Steel AISI-316 or AISI-304. For the end of  $\Phi 42$ mm pipe.

	Code
With AISI-304	03016227
With AISI-316	03016226



## Flange Connection for Anchor Ladder

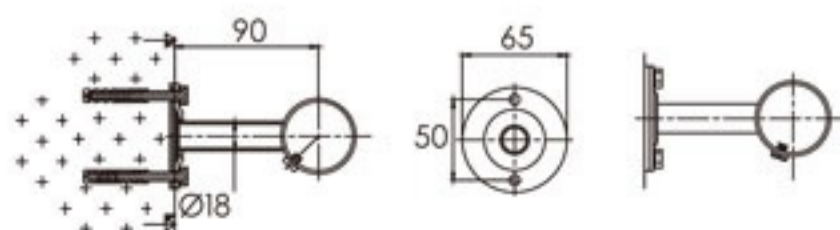
Code	Description
08070007	Flange Connection for Anchor Ladder (AISI-304) Pair
08070008	Flange Connection for Anchor Ladder (AISI-316) Pair



## Straight bracket with base plate

Polished Stainless Steel AISI-316 or AISI-304. Applicable for both concrete pool and vinyl pool.

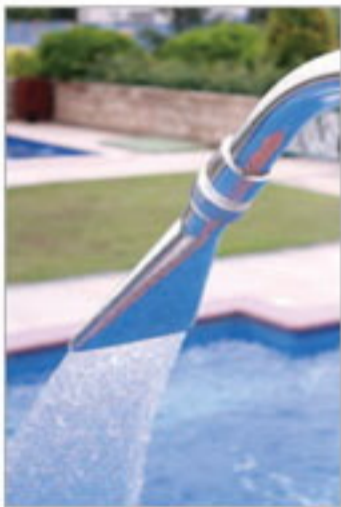
	Code
With AISI-304	08070002
With AISI-316	08070001



## SHOWER HEAD



4401  
Fast Spray



4402  
Full Body Spray



4403  
Intense Jet Spray



4404  
Jet Spray

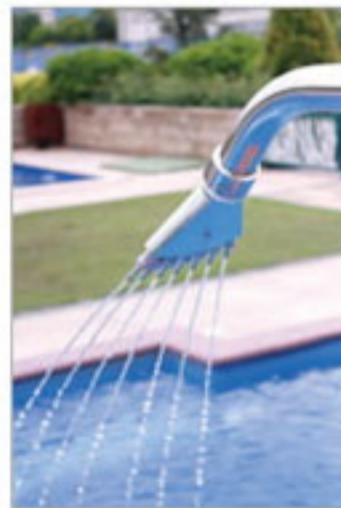
Enjoy hydrotherapy shower using all physical properties of water to create new experience. shower head is designed to offer right solution for user looking for user-friendly and excellent showering massage experience. shower head has 7 water patterns which can suit your need in a wide range of options.

### Highlight Features

1. Stainless steel AISI 304
2. Chrome plating
3. Hydrotherapy shower head
4. Simple design for wide range of application
5. Unique design with excellent water proofing and corrosion proofing
6. Easy installation and maintenance



4405  
Jet Massage



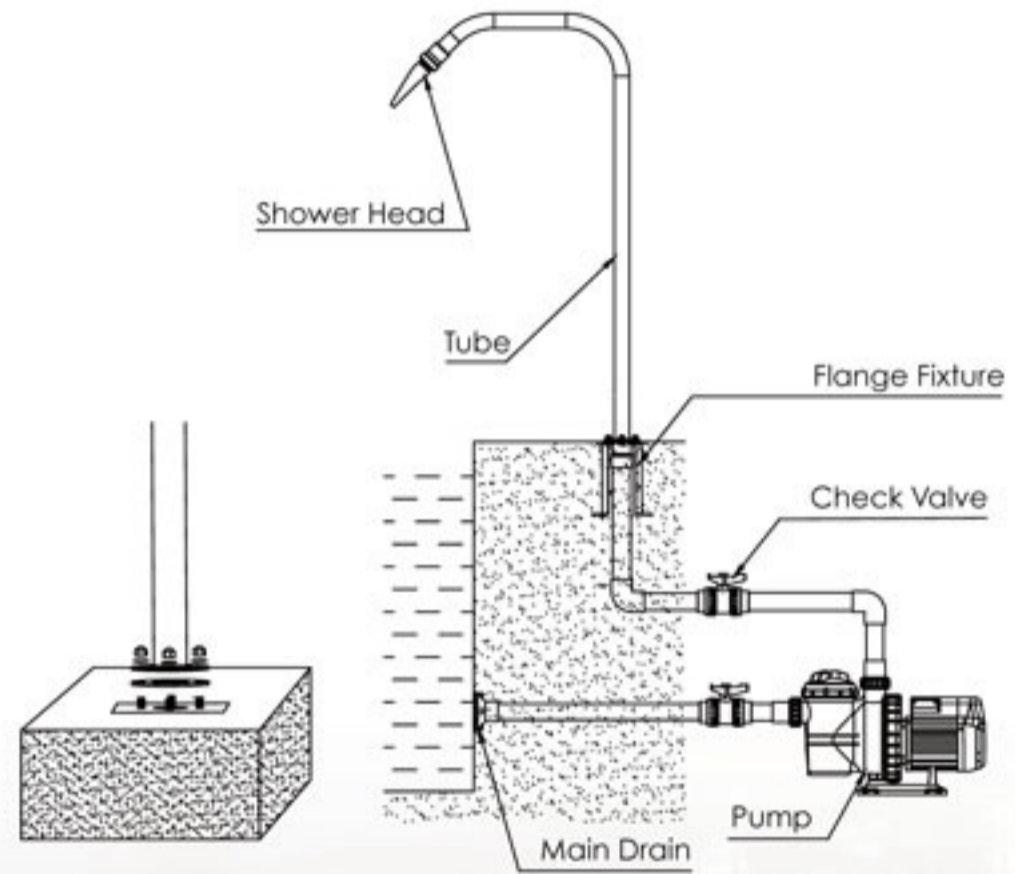
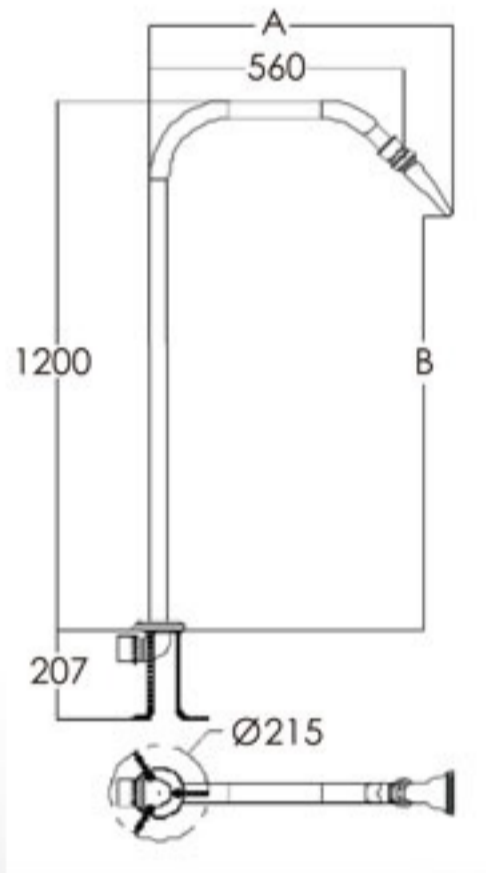
4406  
Soft Spray



4407  
Massage Spray

## Anchor Type

Code	Model	Connection Dimension	Pressure (Kpa)	Flow Rate (m <sup>3</sup> /h)	Min Pump Head	Pattern	A	B
88093513	EM4401	1.5" 50mm	20-100	14.0-48.4	2m	Fast	663	946
88093613	EM4402	1.5" 50mm	20-100	14.0-48.4	2m	Full Body	705	902
88093713	EM4403	1.5" 50mm	20-250	5.8-24.0	2m	Intense Jet	630	962
88093813	EM4404	1.5" 50mm	20-120	18.0-50.0	2m	Jet	628	968
88093913	EM4405	1.5" 50mm	20-100	14.0-48.4	2m	Jet Massage	553	1016
88094013	EM4406	1.5" 50mm	20-60	5.7-12.0	2m	Soft	598	986
88094113	EM4407	1.5" 50mm	20-80	0.6-1.1	2m	Massage	655	958



# STARTING PLATFORM

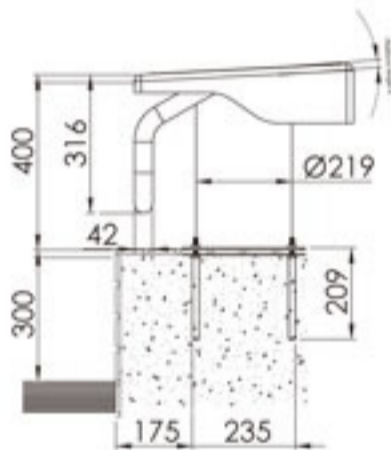
## Starting Platform

The ideal solution for deck-level swimming pools.



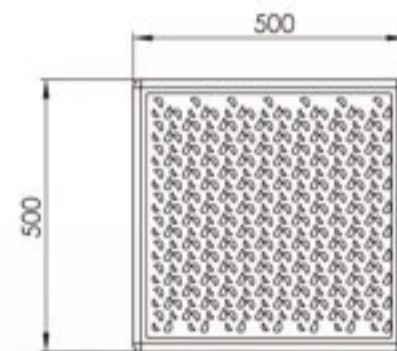
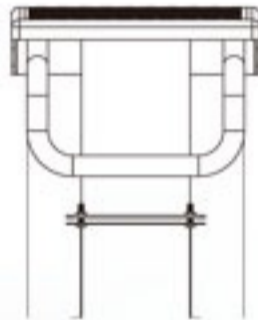
### Features

- Stainless Steel AISI 316 pedestal and back stroke handle
- Solidly built Fiberglass platform
- Non-slip access tread step



### Product Information & Dimension

Model	Description	Code
STP30R	Starting Platform 30 degree	88520101
STP60R	Starting Platform 60 degree	88520102



# SSC SERIES SALT CHLORINATOR



Power Supply

## SSC Series Chlorinator

Salt Chlorinators, are an alternative means of sanitizing your pool with chlorine using the process of electrolysis.

The electrolysis process is achieved by passing the salt water solution through an electrolytic cell which converts sodium chloride (salt) in the water into chlorine gas which, when dissolved in water become sodium hypochlorite (liquid chlorine).

Safe and respecting the environment, this technology brings you :

- Relaxation: Your pool is automatically disinfected
- Safety: Reduction in chlorine storage and handling
- Comfort: Clean, safe and crystal-clear water
- Health and well-being: Therapeutic, saltwater does not irritate eyes and dry out skin

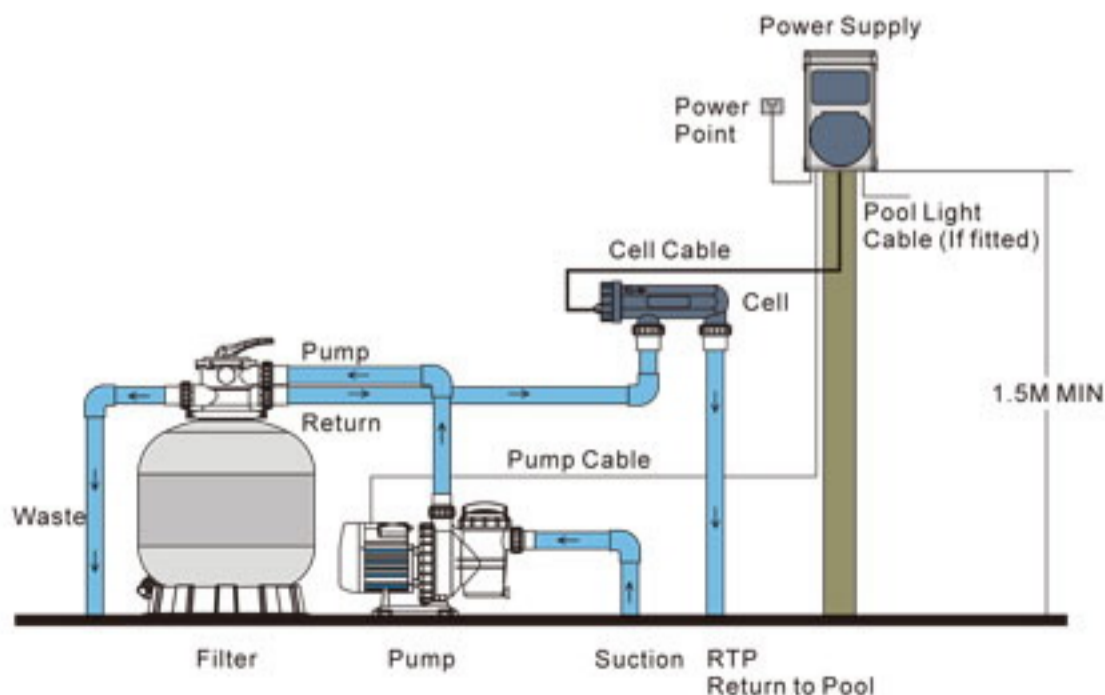


Cell

## Features

1. 3 models to choose: 15,25,45g/hr
2. Self cleaning reverse polarity
3. Quality titanium cells
4. Light transformer models
5. Maximum Working Pressure: 250kPa/36psi/2.5bar

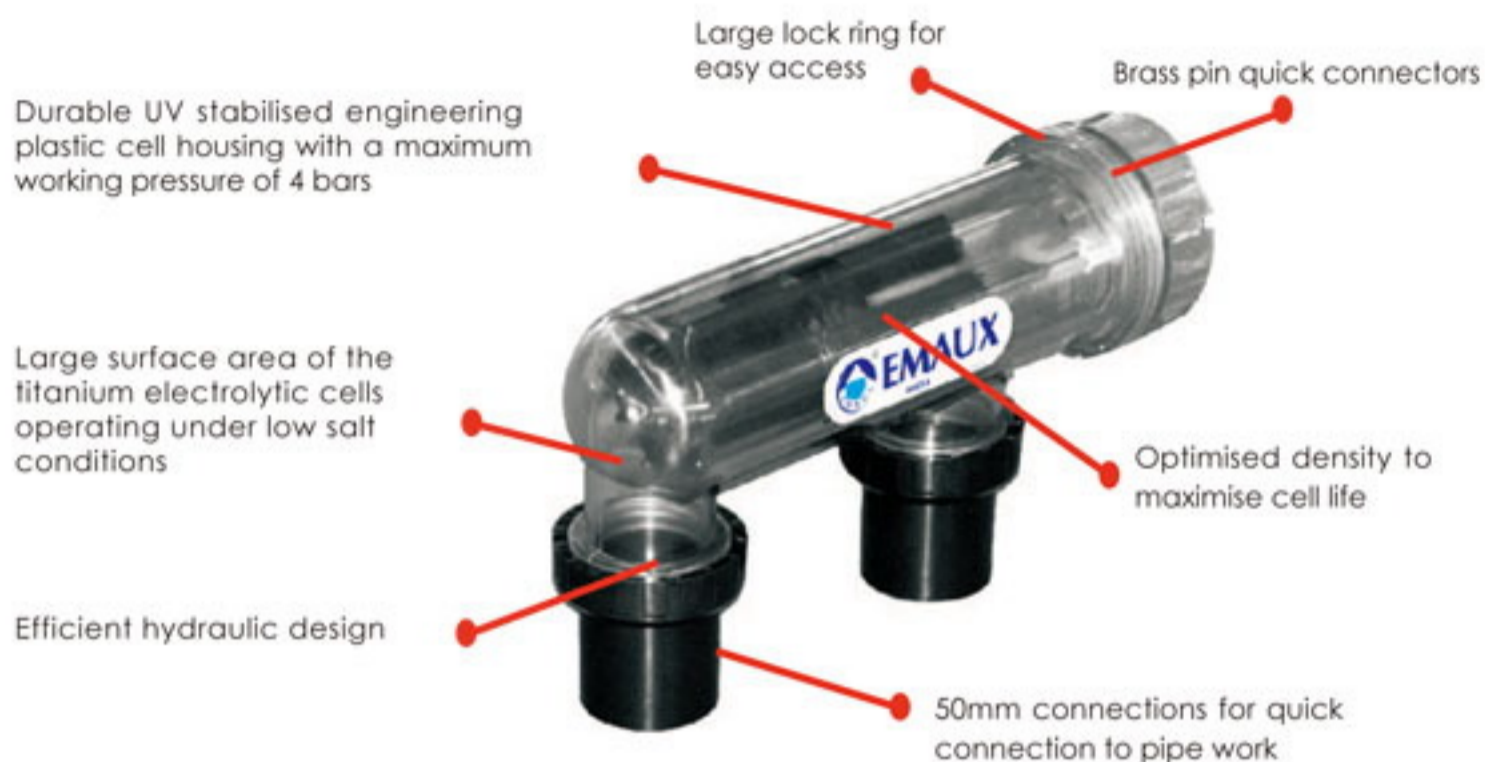
Code 220V/50Hz	Model	Description	Salt Level (mins)	Cell Output	Fiberglass Pool(Litres)	Concrete Pool(Litres)	Pool Light Voltage	Input Voltage /Freq.	IP Rating	Weight (kg)
88380601	SSC15-E	Standard Version	4000PPM	15gram/h	50,000	45,000	N/A	240V 50/60Hz	IPX4	6.5
88380602	SSC25-E			15gram/h	75,000	70,000				7.4
88380603	SSC50-T			45gram/h	120,000	110,000				9.7
88380401	SSC15-T	With Time Clock	4000PPM	15gram/h	50,000	45,000	N/A	240V 50/60Hz	IPX4	6.6
88380402	SSC25-T			25gram/h	75,000	70,000				7.5
88380403	SSC50-T			45gram/h	120,000	110,000				9.8
88380201	SSC15-TLT	With Time Clock		15gram/h	50,000	45,000	12V AC	240V 50/60Hz	IPX4	8.4
88380202	SSC25-TLT	& pool light transformer		25gram/h	75,000	70,000				8.8



# SSC SERIES SALT CHLORINATOR

## SSC Salt Cell

The SSC salt cell consists of a series of titanium electrodes with opposite charges. SSC transparent salt cell housing allows visual inspection of the salt cell plates and enables monitoring of chlorine production.



## Power Supply

- Power Supply enclosed in an UV & weatherproof enclosure
- Unit runs cool through design & innovation
- Displays are clear & easy to operate
- Time clock complete with Battery Backup

- √ Easy to read Digital Display
- √ Simple switch between manual and automatic operation
- √ Clear LED Operation
- √ Complete Output Control
- √ Full Diagnostic Display

## SSC-TLT Chlorinator Display Shown



SSC-TLT series

## Options

Selecting a suitable unit

A number of factors will affect the selection of a salt water chlorinator.

- Size of pool
- Bather load
- Size & Turnover rate of filtration system
- Climate conditions
- See table below for general guide to choosing correct model



# CTRL SERIES SOLENOID DRIVEN METERING PUMP



CTRL4 / CTRL7 / CTRL20

## CTRL Series Solenoid Driven Metering Pump

### Features

The automatic monitoring system measures the PH value and Redox/ORP value of water through the relative voltage of probes. Total control & dosing through the desired set-point.

With a compact structure, nice design, professional recognition, easy to install and operate. Digital Metering pump with pH/Redox control meter on board. Adjustable manual control with proportional dosing flow rate, for the right pH & Redox management.

### Technical Features

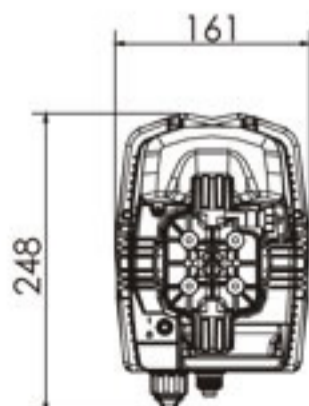
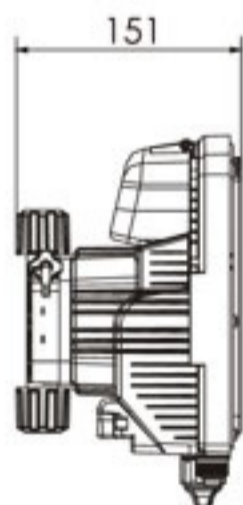
Product Code	Model No	Pressure (bar)	Max Flow/Hour [l/h]	Stroke capacity [cc/stroke]	Connection Size in/out[mm]	Frequency max [stroke/min]
88490405	CTRL4-PH	12 10	4 5	0.42 0.52	4 / 6	160
88490406	CTRL4-ORP	8 2	6 8	0.63 0.83		
88490505	CTRL7-PH	12 10	7 10	0.36 0.52	4 / 6	320
88490506	CTRL7-ORP	5 1	15 18	0.78 0.99		
88490605	CTRL20-PH	5 4	20 25	1.11 1.39	8 / 12	300
88490606	CTRL20-ORP	2 0.1	38 54	2.11 3		

### Working Features

The dosing pump is activated by a PTFE membrane mounted on a piston and electromagnet. When the piston of the electromagnet is attracted, a pressure is produced in the pump body with an expulsion of liquid from the discharge valve. Once the electric impulse is finished a spring brings the piston back to the initial position, with a recall of liquid through the suction valve.

LED indicators control panel to monitor the dosing pump, with electronic micro-control technology. Easy operation without lubrication requested, is almost maintenance free.

Note: CTRL series of doing pumps are based on high-tech electronic microcontroller, strong & reliable components to manage pH or ORP parameters.










### Main Features

- Significant number of metering pumps, 16-word dual-line LCD screen, full working status display automatic recording and storage.
- Built-in pH / ORP monitor, or dosing only.
- Automatically pump flow control is determined in accordance with Monitor pH/ORP value.
- pH, ORP, flow and other automatic / manual calibration.
- With level gauge input interface, low level alarm.
- Flow meter input, telematics control.
- Password protection.

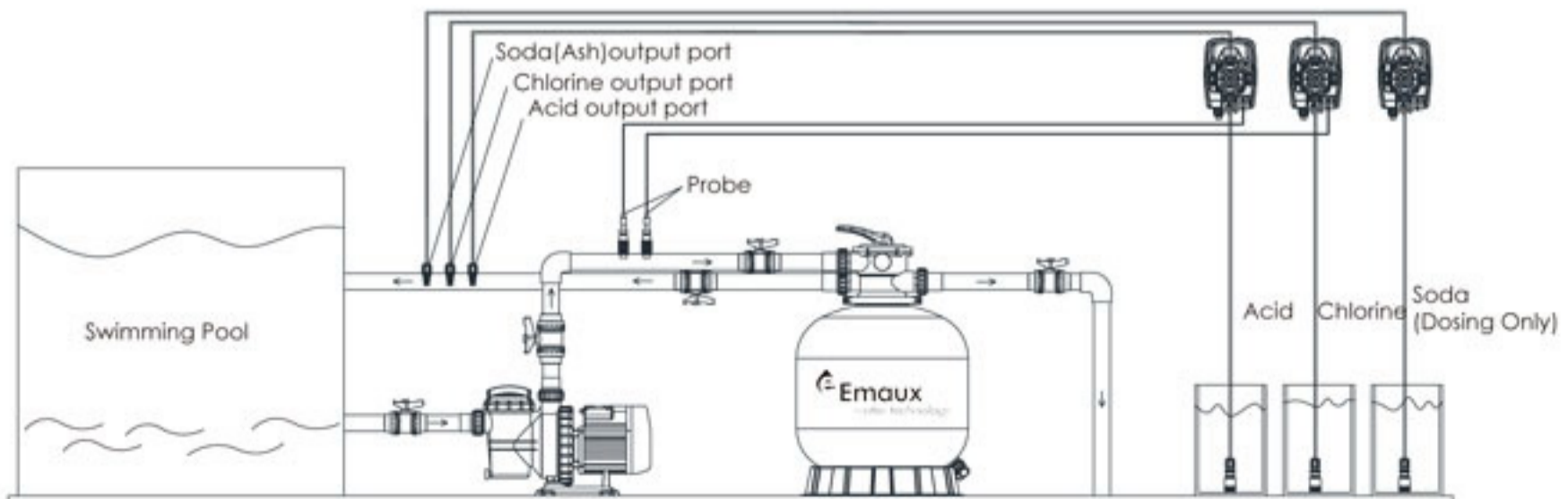


# CTRL SERIES SOLENOID DRIVEN METERING PUMP

## Probe and Accesories Specifications

Photo	Product code	Product name	Parameter
	87990300	pH probe	Pressures: 7bar Material: epoxy resin Measuring range: 0-14 (With 6m signal line) Electrode diameter: 12mm (Includes probe holder)
	87990301	ORP probe	Pressures: 7bar Material: epoxy resin Measuring range: 1200mV (With 6m signal line) Electrode diameter: ± 12mm (Includes probe holder)
	87990302	pH probe buffer solution	2 bottles of buffer solution of pH (pH 4.00 and pH7.00) +1 bottle for buffering
	87990303	ORP probe buffer solution	1 bottle of ORP buffer solution (465mV) for 50ml bottle
	87990306	Dosing pipe fittings for CTRL4 / CTRL7	Pressures: 7bar Material: PVC Screw sizes: 1/8"
	87990304	Dosing pipe fittings for CTRL20	The maximum resistance at: 60°C
	87990305	Fixed Accessories	Vertical base and wall-mounted accessories

## Installation Diagram



# FOS SERIES UV-C DISINFECTION SYSTEM



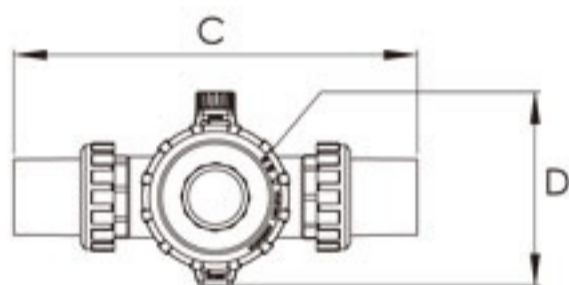
FOS-UV-14T



FOS-UV-5T

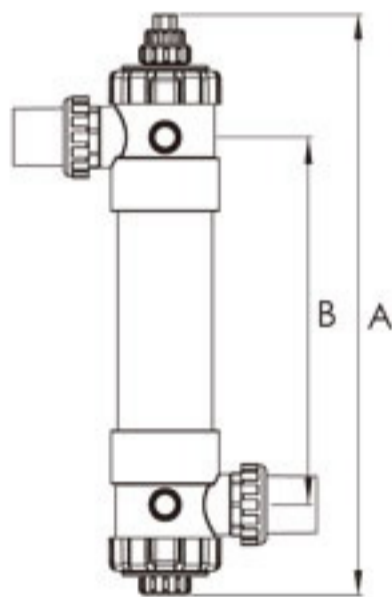
FOS series UV-C disinfection system is an effective product to kill bacteria and other microbes that pass through from the tube as a result to maintain bacteria-free and purified water in your fish pond.

- High quality UV-C lamp that achieve 98% Sterilization rate.
- Durable UV-C lamp has Long Life span, more than 10,000 hours.
- High quality Quartz tube provides more than 99% Transmittance rate.
- Adjustable brackets for simpler and flexible installation.
- Available in 50Hz or 60Hz with 220V.
- Four models 15W, 25W 30W and 55W are suitable fish pond sized up to 14m<sup>3</sup>.



### Specification

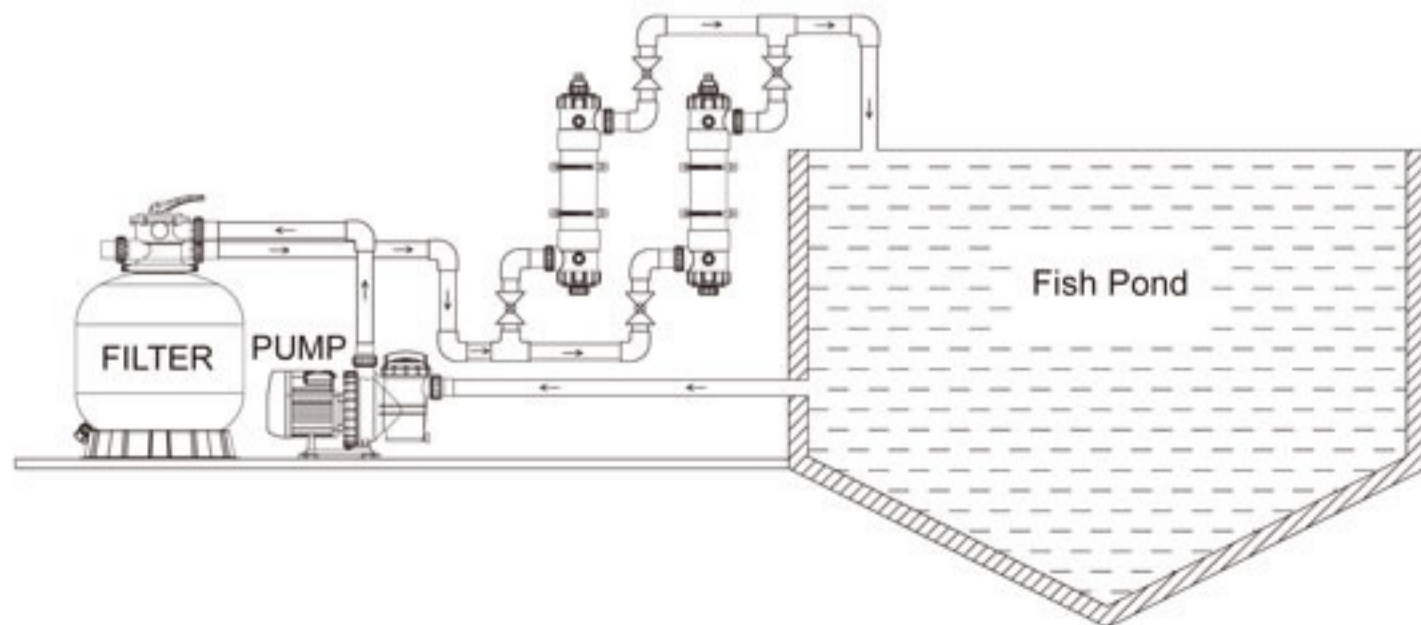
Product No	Model No	Flow rate (m <sup>3</sup> /h)	Fish Pond (m <sup>3</sup> )	Input Power(W)	Connection
88046317	FOS-UV-5T	14.4	5	15	1.5"/2"
88046318	FOS-UV-7T	14.4	7	25	1.5"/2"
88046319	FOS-UV-8T	14.4	8	30	1.5"/2"
88046320	FOS-UV-14T	14.4	14	55	1.5"/2"



### Product Dimension

Model No	Product Dimension (mm)			
	A	B	C	D
FOS-UV-5T	694	431	180	166
FOS-UV-7T	694	431	180	166
FOS-UV-8T	1144	881	180	166
FOS-UV-14T	1144	881	180	166

### Installation



# CHEMICAL FEEDER

## High Capacity Chemical Feeders

They are heavy duty and able to provide automatic sanitization for pools up to 608000 litres. Both in-line and off-line plumbing installations are available in 2 sizes.

### Features

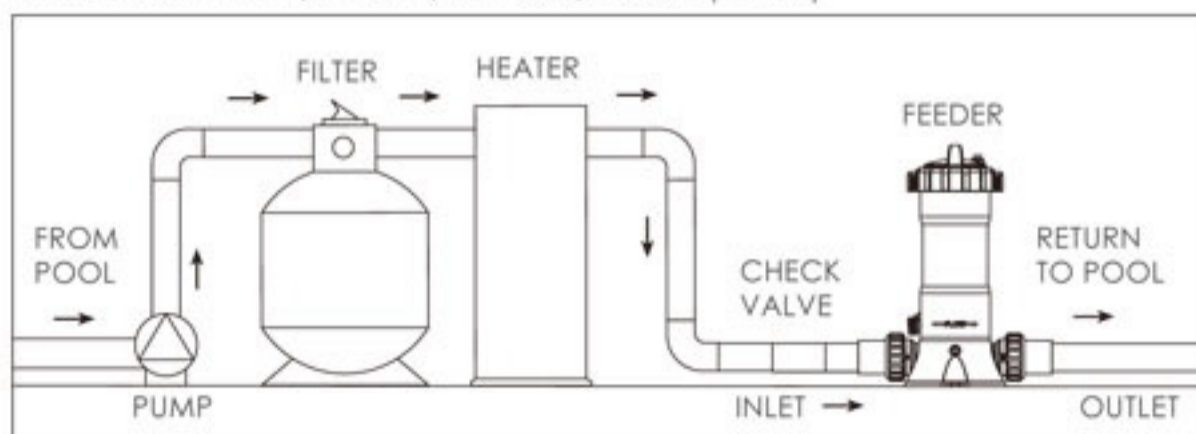
Treats pool/spa size (Unit: Litre, in a period of 24 hours)

MODEL: CL-01 (In-line)	MODEL: CL-01A (Off-line)
10 ppm ..... 25000L	10 ppm ..... 45000L
5 ppm ..... 50000L	5 ppm ..... 90000L
2.5 ppm..... 100000L	2.5 ppm..... 180000L
MODEL: CL-02 (In-line)	MODEL: CL-02A (Off-line)
10 ppm ..... 27000L	10 ppm ..... 49000L
5 ppm ..... 54000L	5 ppm ..... 98000L
2.5 ppm..... 108000L	2.5 ppm..... 196000L
MODEL: CLL-50 (In-line)	MODEL: CLL-75 (In-line)
10 ppm ..... 95000L	10 ppm ..... 152000L
5 ppm ..... 190000L	5 ppm ..... 304000L
2.5 ppm..... 380000L	2.5 ppm..... 608000L

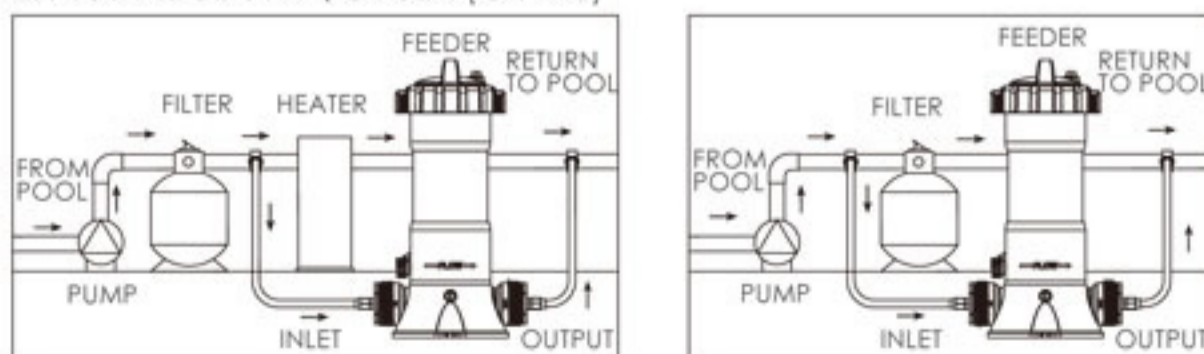
### Technical Information

Code	Model No	Chlorine Tablet Specification	Quantity	Total Weight	Valve Connections	A mm	B mm	C mm
88440207	CL-01	Ø30×16mm/pc Ø76×26mm/pc	102pc 11pc	2.0kg	1.5 inch 50mm	420	330	110
88440217	CL-02	Ø30×16mm/pc Ø76×26mm/pc	198pc 22pc	4.0kg	1.5 inch 50mm	705	330	110
88440208	CL-01A	Ø30×16mm/pc Ø76×26mm/pc	102pc 11pc	2.0kg	- 10mm	420	230	110
88440218	CL-02A	Ø30×16mm/pc Ø76×26mm/pc	198pc 22pc	4.0kg	- 10mm	705	230	110
88440302	CLL-50	Ø30×16mm/pc Ø76×26mm/pc	300pc 32pc	6.0kg	1.5 inch 50mm	580	440	225
88440303	CLL-75	Ø30×16mm/pc Ø76×26mm/pc	550pc 50pc	11.0kg	1.5 inch 50mm	760	440	225

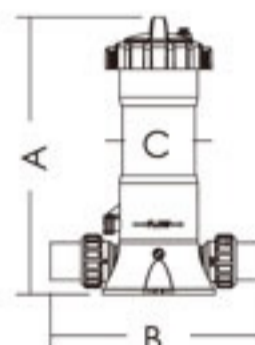
#### 1. MODEL: CL-01 \ CL-02 \ CLL-50 \ CLL-75 (In-line)



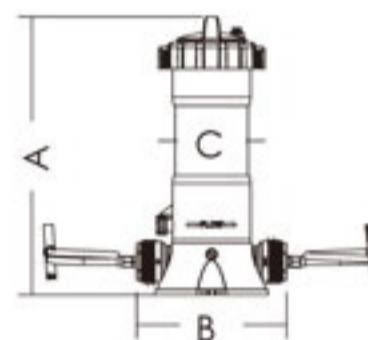
#### 2. MODEL: CL-01A \ CL-02A (Off-line)



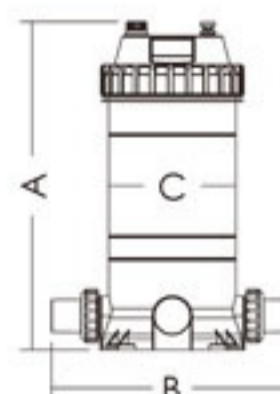
CL-01 & CL-02  
(In-line)



CL-01A & CL-02A  
(Off-line)



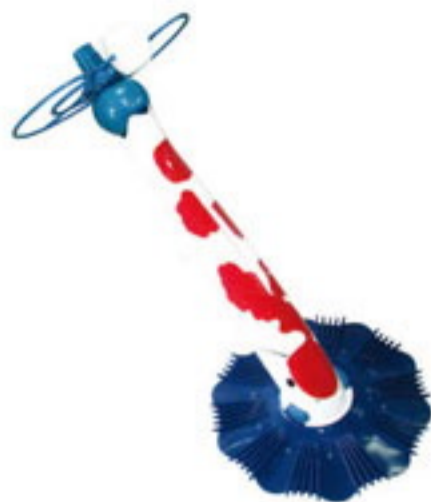
CLL50 & CLL75



## CE306 AUTOMATIC POOL CLEANER



CE306A



CE306B



CE306C

The unique design of Automatic Pool Cleaner is our outstanding cleaning device with suction function which ensures trouble-free operation. The power suction helps in the scrubbing of the wall and floor without any supervision. Cleaning the pool has never been so easy!

### Integrated Design

Automatic Pool Cleaner is designed in a high standard with quality material that enhances the durability. The special pleated seal maximize the cleaning performance and the excellent adhesion enables the scrubbing of the entire surface of the pool.

### Features

1. User-friendly and easy installation in a minute
2. Suitable for domestic in-ground pool and above ground pool
3. Quiet and fast cleaning
4. No electricity needed with the use of the vacuum suction from the existing filtration unit

### Designs for cleaning your pool

For any size, shape and construction of your in-ground or above ground pool, Automatic Pool Cleaner assist in the entire cleaning process. It works by simply attaching to your skimmer or the dedicated vacuum line where the suction power of the Cleaner will climbs and cleans the floor and wall.



### Accessories included:

1. 1x Cleaner Main Body
2. 1x Nut for Hose
3. 1x Hose weights
4. 1x Automatic Regulator Valve
5. 1x Hose cone
6. 1x Roller bumper strap
7. 1x Pleated seal
8. 13x 0.8m hose

Code	Model No	Description
88050310	CE306A	SHOWA
88050311	CE306B	KOHAKU
88050312	CE306C	TAISHO SANKE

## POLE AND HOSE

## Poles With Grip Lock

Compact blowers for air or gas, pressure or vacuum with motors from 1 to 2 Hp (0.75 to 1.5 kW)

Code	Model No	Description
88050501	CE132	2 x 2.4m Aluminium Telescopic Pole
88050502	CE133	2 x 3m Aluminium Telescopic Pole
88050503	CE134	2 x 3.5m Aluminium Telescopic Pole
88050504	CE135	2 x 4m Aluminium Telescopic Pole
88050506	CE136	2 x 1.8m Aluminium Telescopic Pole



Poles With Grip Lock

## Hoses

Code	Model No	Description
88050604	CE154	29ft (9m) Flexible Vacuum Hose
88050601	CE155	36ft (11m) Flexible Vacuum Hose
88050602	CE156	42ft (13m) Flexible Vacuum Hose
88050603	CE157	49ft (15m) Flexible Vacuum Hose



Hoses

## Durable Flexi Hose

The hoses come with a swivel vac head cuff, and are available in the most popular lengths.

Code	Model No	Description
CE160	88050608	38mm X 30ft (9.1m) Durable Hose
CE161	88050609	38mm X 35ft (10.7m) Durable Hose
CE162	88050610	38mm X 40ft (12.2m) Durable Hose
CE163	88050611	38mm X 45ft (13.7m) Durable Hose
CE164	88050612	38mm X 50ft (15.2m) Durable Hose



Durable Flexi Hose

# HAND SKIMMER AND BRUSH



Venturi Vacuum

## Venturi Vacuum

Code	Model No	Description
88050305	CE303	Venturi Vacuum Head with 3 x 0.6M Pole



Hand Skimmer and Leaf Rake

## Hand Skimmer and Leaf Rake

Code	Model No	Description
88050101	CE101	Hand Skimmer & Leaf Rake
88050102	CE102	Standard Hand Skimmer
88050103	CE105	Economy Hand Skimmer



Plastic Brushes

## Plastic Brushes

Code	Model No	Description
88050201	CE201	18" Plastic Brush
88050202	CE202	9" Plastic Brush
88050203	CE203	14" Plastic Brush



Stainless Steel Algae Brushes

## Stainless Steel Algae Brushes

Code	Model No	Description
88050204	CE204	9" Stainless Steel Algae Brush
88050205	CE205	14" Stainless Steel Algae Brush
88050206	CE206	18" Stainless Steel Algae Brush

# VACCUM, THERMOMETER AND TEST KIT

## Pool Vacuum Head

Code	Model No	Description
88050301	CE301	14" Flexible Pool Vacuum head
88050302	CE302	Economy Vinyl Liner Vacuum head
88050303	CE304	Deluxe Vinyl Liner Vacuum head
88050304	CE305	19" Flexible Pool Vacuum head



Pool Vacuum Head

## Thermomter

Code	Model No	Description
88050401	CE401	Floating Thermometer
88050402	CE402	Standard Thermometer



Thermomter

## Chemical Dispenser

Code	Model No	Description
88050701	CE501	Standard Chemical Dispenser



Chemical Dispenser

## Test Kit

Code	Model No	Description
88050702	CE029	Test Kit for pH & Chlorine
05011029	CE029-pH	Red pH Solution Bottle for CE029
05011030	CE029-OTO	Yellow OTO Solution Bottle for CE029
88050724	CE030	4 in 1 Water Testing Kit with OTO Solution
88050728	CE031R	pH & OTO Solution Bottle Set
05011029	CE032R	2 in 1 Test Kit
05011025	CE031-pH	Red pH Solution Bottle for CE029/CE032
05011026	CE031-OTO	Yellow OTO Solution Bottle for CE030/CE032



Test Kit



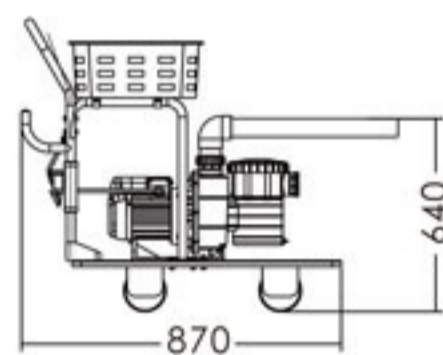
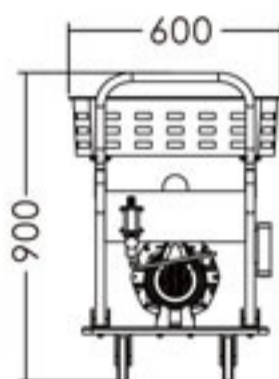
# CLEANING TROLLEY



Fully equipped. No extra cleaning supplies need to be purchased. Equipped with various cleaning supplies to facilitate many kinds of cleaning function. Cart type with the maximum load capacity of 150kg is selected. It is equipped with environmental protection wheels which achieve high practicality and flexibility. It has also a braking device that makes the cleaning cart easy to use and safely to operate.

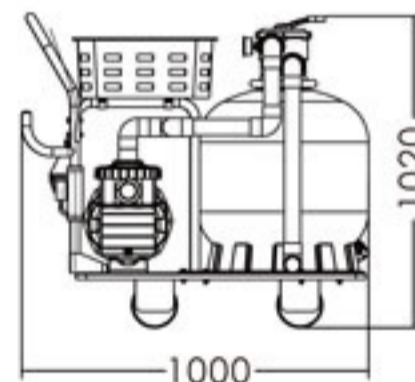
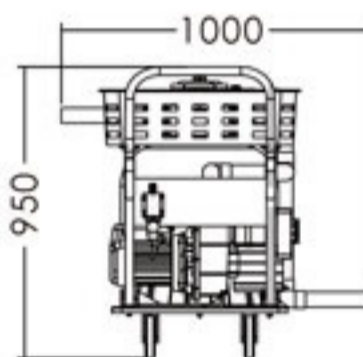
## CE601

- SB20 SB Pump 2.0hp, 220V/50Hz, Single Phase
- CE029 Test kit for pH & Chlorine
- CE101 Hand Skimmer & Leaf Rake
- CE102 Standard Hand Skimmer
- CE133 2 x 3m Aluminium Telescopic Pole
- CE163 Premium Grade Vacuum Hose, 38mm x 45ft
- CE201A 18" Plastic Brush
- CE301A 14" Flexible Pool Vacuum
- CE402 Standard Thermometer



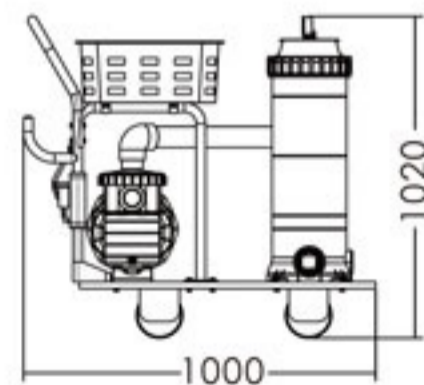
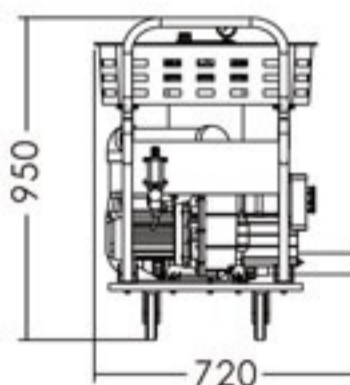
## CE602

- V500 21" Top Mount Filter, 1.5" Valve
- SB20 SB Pump 2.0hp, 220V/50Hz, Single Phase
- CE029 Test kit for pH & Chlorine
- CE101 Hand Skimmer & Leaf Rake
- CE102 Standard Hand Skimmer
- CE133 2 x 3m Aluminium Telescopic Pole
- CE163 Premium Grade Vacuum Hose, 38mm x 45ft
- CE201A 18" Plastic Brush
- CE301A 14" Flexible Pool Vacuum
- CE402 Standard Thermometer



## CE603

- CF75 75ft2 Cartridge Filter with 1.5" union sets
- SB20 SB Pump 2.0hp, 220V/50Hz, Single Phase
- CE029 Test kit for pH & Chlorine
- CE101 Hand Skimmer & Leaf Rake
- CE102 Standard Hand Skimmer
- CE133 2 x 3m Aluminium Telescopic Pole
- CE163 Premium Grade Vacuum Hose, 38mm x 45ft
- CE201A 18" Plastic Brush
- CE301A 14" Flexible Pool Vacuum
- CE402 Standard Thermomete



## Technical Information

Code	Model No	Pump Voltage	Pump HP	Connection Pipe Size
88050730	CE601	220V / 50Hz	2.0hp	2"(63mm)
88050731	CE602	220V / 50Hz	2.0hp	1.5"(50mm)
88050732	CE603	220V / 50Hz	2.0hp	2"(63mm)

## HE SERIES HEAT EXCHANGER

A heat exchanger is used to continually transfer heat from one medium to another in order to carry process energy. HE series heat exchanger produce high output and have excellent heat transfer capability. All models can be installed and connected to different kinds of boilers, heat pumps and solar panel systems.

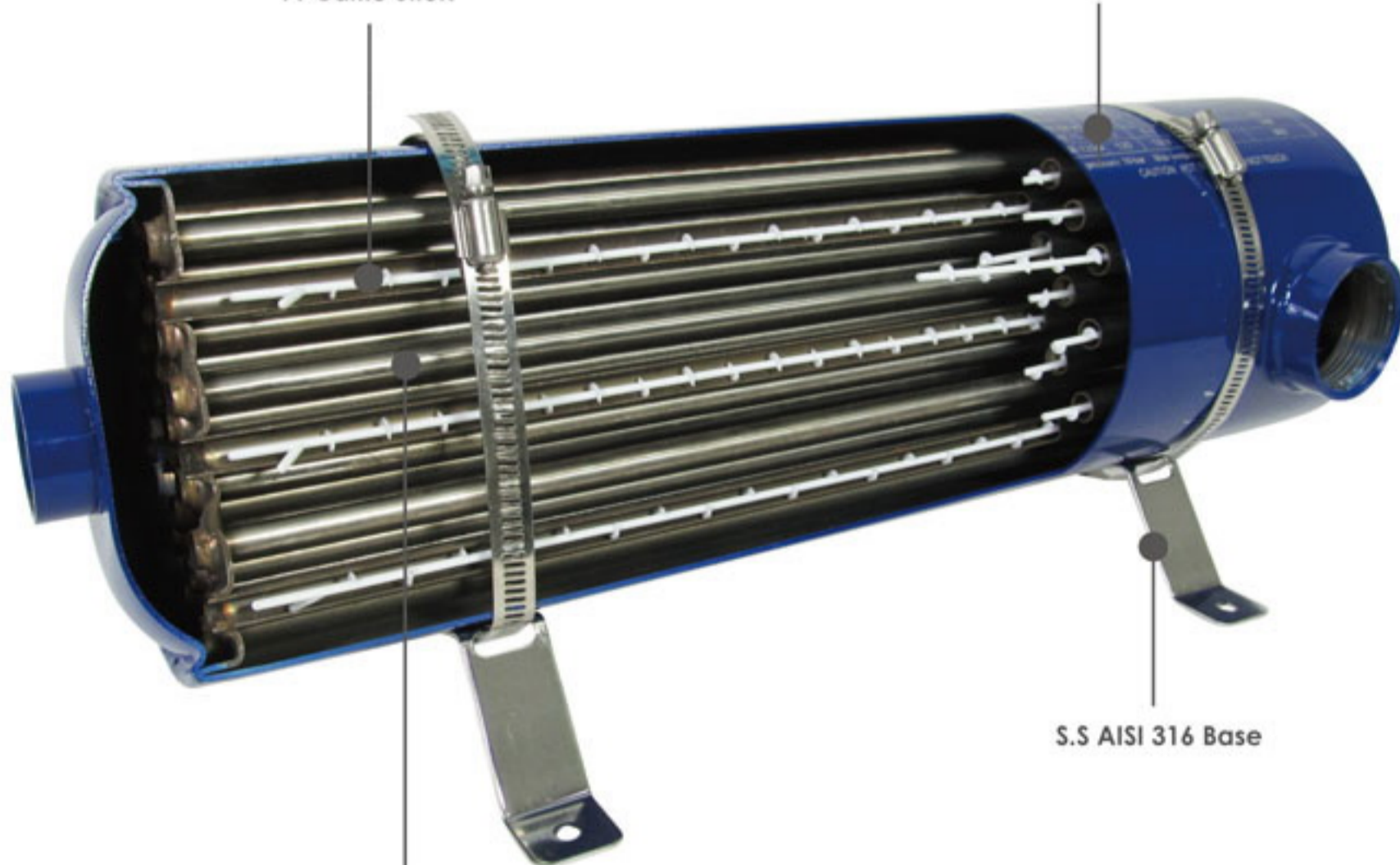
### Features

- √ High quality acid-proof stainless steel AISI 316
- √ Precision-welded outer jacket
- √ Seamless pipes equipped with flow restrictors for high heat transfer capacity
- √ Four size: 40, 60 75, 120 kW, suitable for swimming pools of up to 450m<sup>3</sup>
- √ Connects to different kinds of boilers, heat pumps and solar panel systems



S.S AISI 316 Casing ( $\Phi 133 \times 1.5 \text{mm}$ )  
with anticorrosion coating (0.2mm)

PP Baffle Stick

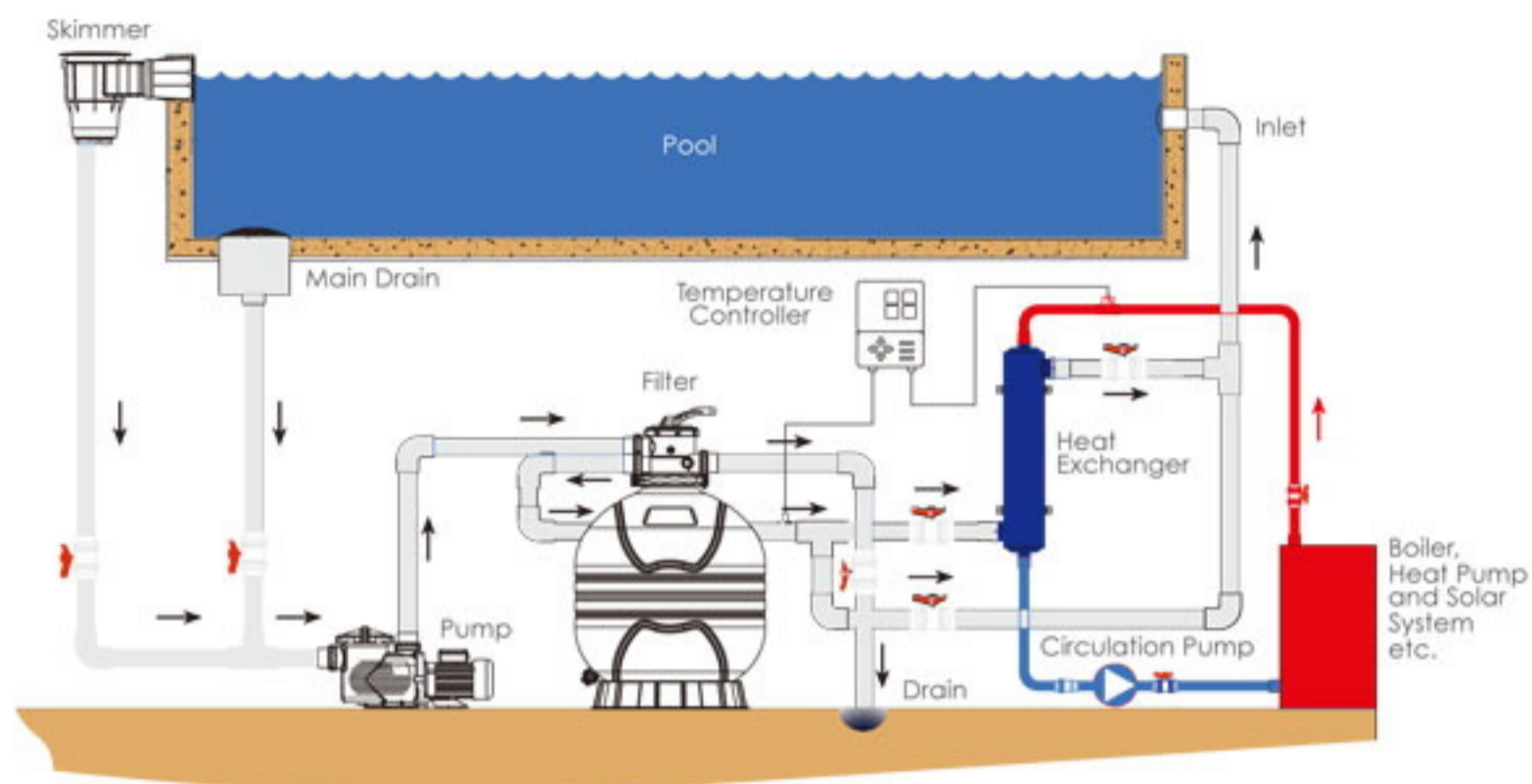


S.S AISI 316 Base

S.S. AISI 316 Heat Transfer Tube ( $\Phi 10 \times 0.6 \text{mm}$ )

## HE SERIES HEAT EXCHANGER

## Installation



## Technical Data

Code	Model	Capacity		Weight kg	Hot Water Flow (l/min)	Pool Water Flow (l/min)
		kw	kBtu/h			
88540101	HE40	40	135	4.0	25	200
88540102	HE60	60	200	5.2	30	250
88540103	HE75	75	260	6.4	35	300
88540104	HE120	120	400	10.9	50	360

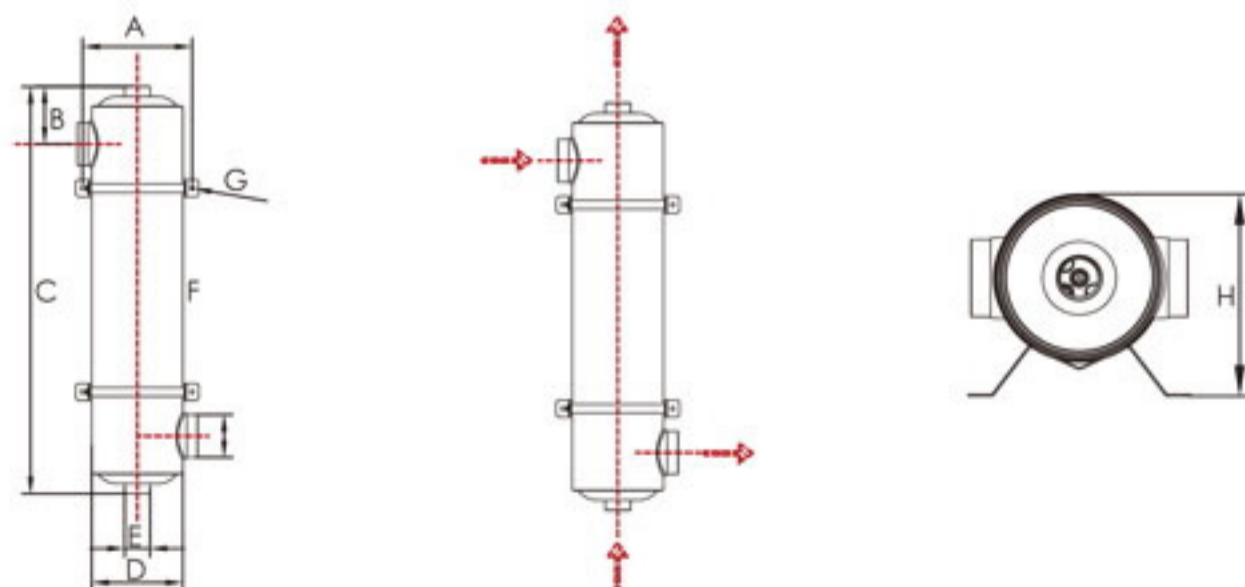
## Testing Pressure

Pool Water Circuit: 10 Bar

Hot Water Circuit: 5Bar

## Product Dimension

Code	Model	A	B	C	D	E	F	G	H
88540101	HE40	160mm	75mm	360mm	Φ133mm	1"	1.5"	Φ6mm	165mm
88540102	HE60	160mm	75mm	480mm	Φ133mm	1"	1.5"	Φ6mm	165mm
88540103	HE75	160mm	85mm	600mm	Φ133mm	1"	2"	Φ6mm	165mm
88540104	HE120	160mm	85mm	1070mm	Φ133mm	1.5"	2"	Φ6mm	165mm



# PLATE HEAT EXCHANGER



## Product Description

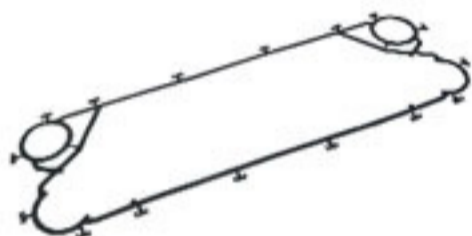
The plate heat exchanger is a high efficient heat exchanger that is built with a series of stacked metal plates with certain corrugated switches. Thin rectangular channels are formed among the plates and heat is exchanged through the plates.

## Product Features

- Efficient and energy saving. Its heat transfer coefficient is 3000-4500kcal/m<sup>2</sup>·C·h. It's thermal efficiency is 3-5times higher than shell-and-tube heat exchanger.
- Compact structure. The plates of the plate heat exchanger are closely stacked together so that the plate heat exchanger only needs small space in comparison with other types heat exchanger.
- Easy to clean and disassemble. The plate within the heat exchanger is clamped by the clamping bolt. You can easily disassemble and open the unit for cleaning at any time. At the same time clean plates enable a high degree of turbulence which helps to avoid furring forming.
- Long service life. The plate heat exchanger uses titanium alloy plates. It is high corrosion resistant. The interface pads can be easily replaced. It is also easy to disassemble for maintenance purpose.
- Adaptability. The plates of the heat exchanger are independent components. You can increase or reduce the flow as required. The operation is flexible.



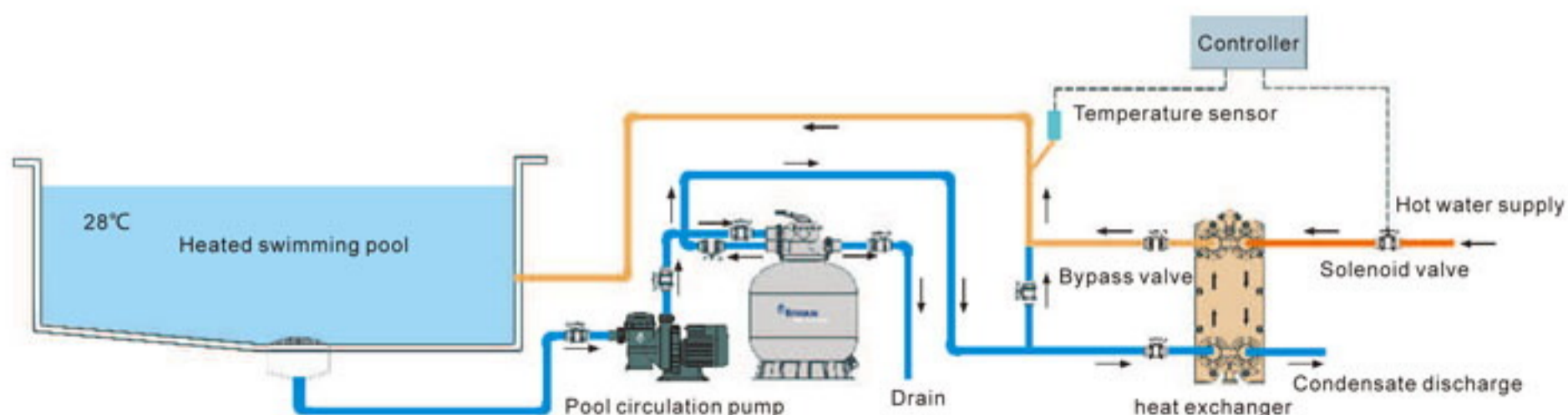
Titanium sheet



Viton

## Application Principle

The required temperature of the system is maintained by adjusting the steam flow at a time. The controller controls the boiler to start and stop and adjusts the load. Part of the pool water is forced to the filter by the pump. The bypass valve adjusts the pool water flow through the plate heat exchanger which increases the water temperature to 27-30°C. The chlorine dosing device is installed after the plate heat exchanger to avoid the water flowing into the plate type heat exchanger has a too high chlorine concentration.





## Product Model

### 12 hours initial heating heat exchanger

Code	Model No	Volume (m <sup>3</sup> )	Power (kw)	Heat Source Flow (m <sup>3</sup> /H)	Total Heat Transfer (m <sup>2</sup> )	Connection Pipe Diameter (mm)	External Dimensions (mm)			Packing Dimensions (mm)			Gross Weight (kg)
							A	B	C	Long	Width	High	
88540507	BSH25-1.5	100	214	9	1.5	25	275	185	480	295	205	500	42
88540508	BSH40S-3	200	428	18	3	40	305	240	550	325	260	570	59
88540509	BSH50S-5	400	856	37	5	50	485	320	870	505	340	890	170
88540510	BSH50S-6	500	1070	46	6	80	595	420	977	615	440	977	270
88540511	BSH50S-9	800	1690	73	9	80	599	420	977	619	440	977	288
88540512	BSH80A-11	1000	2114	91	11	80	615	420	977	635	440	977	302
88540513	BSH80A-12	1200	2356	109	12	80	723	420	977	743	440	977	309

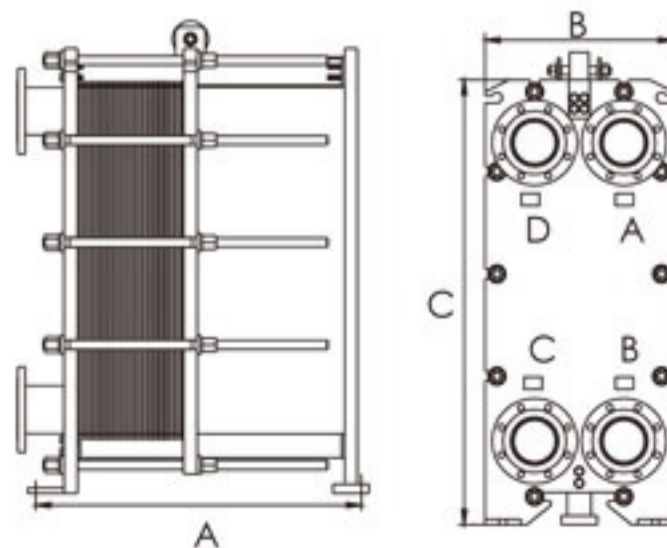
### 24 hours initial heating heat exchanger

Code	Model No	Volume (m <sup>3</sup> )	Power (kw)	Heat Source Flow (m <sup>3</sup> /H)	Total Heat Transfer (m <sup>2</sup> )	Connection Pipe Diameter (mm)	External Dimensions (mm)			Packing Dimensions (mm)			Gross Weight (kg)
							A	B	C	Long	Width	High	
88540414	BSA25-1	100	127	5	1	25	265	185	480	285	205	500	42
88540415	BSA40S-2	200	254	11	2	40	295	240	550	315	260	570	53
88540416	BSA40S-3	400	507	22	3	40	305	240	550	325	340	890	59
88540417	BSA40S-4	500	634	27	4	50	466	320	870	486	340	890	163
88540418	BSA50S-5	800	994	43	5	50	485	320	870	505	440	977	169
88540519	BSA50S-6	1000	1242	53	6	80	595	420	977	615	440	977	270
88540420	BSA50S-7	1200	1490	64	7	80	625	420	977	645	440	977	277
88540421	BSA80A-11	1800	2194	94	11	80	615	420	977	635	440	977	302
88540422	BSA80A-12	2000	2438	105	12	80	723	420	977	743	440	977	309
88540423	BSA80A-16	2500	2951	127	16	80	739	420	1150	759	440	1170	256

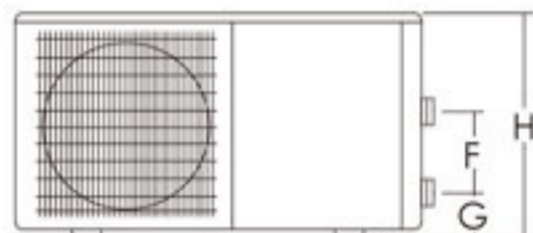
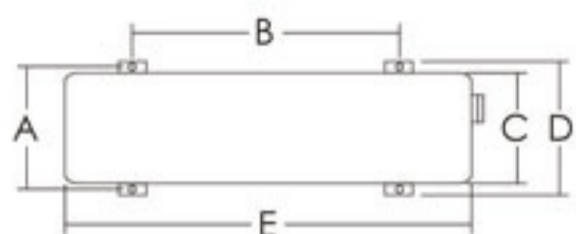
## Important

Select plate heat exchanger according to above tables, and must follow the conditions of the ambient temperature, heat source temperature, heating temperature etc.

1. The temperature of the hot water source should be 70-90°C.
2. It is only suitable for indoor swimming pools. The ambient temperature should not be under 5°C.
3. The initial temperature should be between 15-28°C.



# B2 SERIES HEAT PUMP



## Performance and features

- Durable, The heating exchanger is made of PVC & Titanium tube, which can withstand prolonged exposure to swimming pool water.
- Easy operation, The unit is very easy to operate: switch it on and set the desired pool water temperature.
- Quiet operation, The unit comprises an efficient rotary compressor and a low-noise fan motor, which guarantees its quiet operation.
- Normal Working Environment: 12-35°C. Only heating function.
- Low cost, The operational cost is very low due to its high performance.

Model No.	HP4.5B2	HP5.6B2	HP7.8B2	HP9.5B2	
Code	88360703	88360704	88360705	88360706	
Rated Heating Capacity	W	4500	5600	7800	9500
	BTU	15300	18000	26500	32500
Heating Input Power	W	1050	1250	1650	1938
Heating Running Current	A	5	5.7	7.5	10
Power Supply	V/PH/HZ 220V/1PH/50HZ				
Controller	Mechanical Controller				
Condenser	Titanium Coil				
Quantity of Compressor	1	1	1	1	
Compressor	Rotary				
Quantity of Fan	1	1	1	1	
Input power of Fan	W	30	30	25	40
Fan Speed	RPM	900	900	900	900
Noise	Db(A)	48	48	48	48
Water Connection	mm	1.5"	1.5"	1.5"	1.5"
Water Flow Volume	m <sup>3</sup> /h	4-6	4-6	4-7	4-7
Water Pressure Drop	kpa	10	12	12	15
Net Dimension	L	936	936	936	1010
	W	360	360	360	370
	H	550	550	550	615
Packing Dimension	L	1050	1050	1050	1130
	W	400	400	400	400
	H	600	600	600	670
Weight	Net Weight	39	42	48	60
	Gross Weight	45	48	54	67

## Measuring Conditions

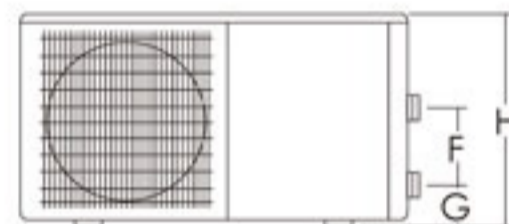
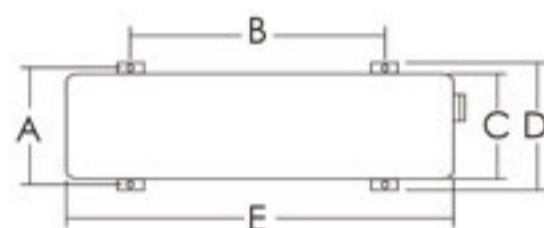
Heating : Dry bulb 24°C, Wet Bulb 19°C, Water entering temperature 27°C

Model	Dimensions(mm)							
	A	B	C	D	E	F	G	H
HP4.5B2	330	680	280	360	936	200	81	550
HP5.6B2	330	680	280	360	936	200	81	550
HP7.8B2	330	680	280	360	936	250	81	550
HP9.5B2	340	643	300	370	1010	270	81	615

## B SERIES HEAT PUMP

## Performance and features

- High efficiency, With a COP value up to 5.0 our heat pumps are very efficient when transferring heat from the air to the swimming pool water.
- You can save as much as 80% of cost compared to an electrical heater. Long life-span.
- The heat exchanger is made of PVC & Titanium tube, which can withstand and prolong exposure to swimming pool water.
- Easy control and operation. Simply switch it on and set the desired pool water temperature.
- The system includes a micro-computer controller, allowing all operation parameters to be set. Operation status can be displayed on the controller with LCD display.
- Normal Working Environment: 10~35°C.



Model No.		HP5.6B	HP7.8B	HP9.5B	HP14B
Code		88360304	88363035	88360306	88360508
Rated Heating Capacity	W	5600	7800	9500	14000
	BTU	18000	26500	32500	48000
Heating Input Power	W	1083	1625	1938	2880
Heating Running Current	A	5	7.5	9.2	13.3
Rated Cooling Capacity	W	3200	4800	5900	8600
	BTU	11000	16500	20000	29500
Cooling Input Power	W	1030	1550	1910	2980
Cooling Running Current	A	4.7	7.4	9.1	13.8
Power Supply	V/PH/HZ	220V/1PH/50HZ			
Controller		Electronic Controller			
Condenser		Titanium Coil			
Quantity of Compressor		1	1	1	1
Compressor		Rotary			Scroll
Quantity of Fan		1	1	1	1
Input power of Fan	W	30	25	40	60
Fan Speed	RPM	900	900	900	950
Noise	Db(A)	48	48	48	48
Water Connection	mm	1.5"	1.5"	1.5"	1.5"
Water Flow Volume	m <sup>3</sup> /h	2-4	3-5	4-7	5-8
Water Pressure Drop	kpa	12	12	15	15
Net Dimension	L	936	936	1010	1100
	W	360	360	370	440
	H	550	550	615	700
Packing Dimension	L	1050	1050	1130	1240
	W	400	400	410	500
	H	600	600	660	750
Weight	Net Weight	43	50	61	102
	Gross Weight	49	56	67	117

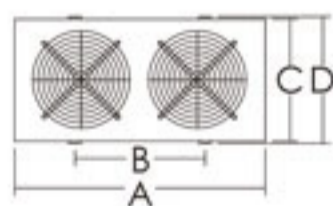
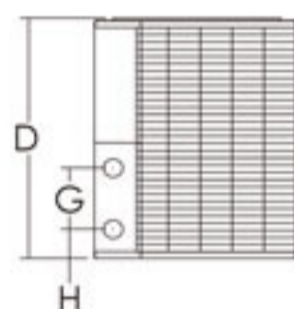
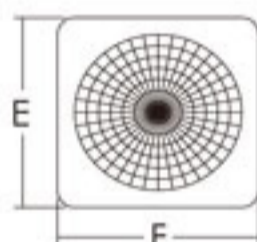
## Measuring Conditions

Heating: Dry bulb 24°C, Wet Bulb 19°C, Water entering temperature 27°C

Cooling: Dry bulb 35°C, Wet Bulb 24°C, Water entering temperature 27°C

Model	Dimensions(mm)							
	A	B	C	D	E	F	G	H
HP5.6B	330	680	280	360	936	220	81	550
HP7.8B	330	680	280	360	936	250	81	550
HP9.5B	340	643	300	370	1010	270	81	615
HP14B	440	760	420	470	1110	320	81	700

## A SERIES HEAT PUMP



## Performance and Features

- High efficiency, With a COP value up to 5.0 our heat pumps are very efficient when transferring heat from the air to the swimming pool water.
- You can save as much as 80% of cost compared to an electrical heater. Long life-span.
- The heat exchanger is made of PVC & Titanium tube, which can withstand and prolong exposure to swimming pool water.
- Easy control and operation. Simply switch it on and set the desired pool water temperature.
- The system includes a micro-computer controller, allowing all operation parameters to be set. Operation status can be displayed on the controller with LCD display.
- Normal Working Environment: 10~35°C.

Model No.		HP14A	HP17A	HP21A	HP21A	HP26A	HP35A	HP50A	
Code		88360108	88360109	88360110	88360210	88360211	88360212	88360214	
Rated Heating Capacity	W	14000	17000	21000	21000	26000	35000	50000	
	BTU	48000	58000	73000	73000	90000	120000	170000	
Heating Input Power	W	2880	3500	4250	4250	5300	7100	10300	
Heating Running Current	A	13.3	16.1	21.3	7.8	9.5	6.3*2	9.1*2	
Rated Cooling Capacity	W	8600	10300	13500	13500	16000	29000	36000	
	BTU	29300	35200	46000	46000	55000	100000	123000	
Cooling Input Power	W	2980	3600	4650	4650	5730	9600	12100	
Cooling Running Current	A	13.8	16.9	25.1	8.4	10.1	7.9*2	10.1*2	
Power Supply	V/PH/Hz	220V/1PH/50HZ			380V/3PH/50HZ				
Controller	Electronic Controller								
Condenser	Titanium Coil								
Quantity of Compressor		1	1	1	1	1	2	2	
Compressor	Scroll								
Quantity of Fan		1	1	1	1	1	2	2	
Input power of Fan	W	160	160	160	160	160	160*2	160*2	
Fan Speed	RPM	830	830	830	830	830	830	830	
Noise	Db(A)	58	58	58	58	58	58	58	
Water Connection	mm	1.5"	1.5"	1.5"	1.5"	1.5"	2.0"	2.0"	
Water Flow Volume	m <sup>3</sup> /h	5-8	5-8	6-10	6-10	6-12	8-15	8-15	
Water Pressure Drop	kpa	15	16	16	16	16	18	18	
Net Dimension	L	660	660	660	660	660	1448	1448	
	W	660	660	660	660	660	730	730	
	H	860	960	960	960	960	1080	1280	
Packing Dimension	L	760	760	760	760	760	1530	1530	
	W	710	710	710	710	710	830	830	
Weight	H	990	1090	1090	1090	1090	1220	1400	
	Net Weight	K	83	99	97	100	100	216	230
	Gross Weight		97	114	104	115	115	248	266

## Measuring Conditions

Heating : Dry bulb 24°C, Wet Bulb 19°C, Water entering temperature 27°C  
 Cooling : Dry bulb 35°C, Wet Bulb 24°C, Water entering temperature 27°C

Model	Dimensions(mm)				
	D	E	G	F	H
HP14A	860	660	320	660	100
HP17A	960	660	320	660	100
HP21A	960	660	320	660	100
HP26A	960	660	320	660	100

Model	Dimensions(mm)						
	A	B	C	D	E	F	G
HP35A	1450	690	700	730	1280	400	135
HP50A	1450	690	700	730	1280	400	135



## SAUNA ROOM

The health benefit and therapeutic value saunas provide have been known for centuries. For these reasons, All Saunas are made with special spruce wood panels, tempered glass door and high-quality sauna heater which is easy to use. With our special air circulation system you will always breath fresh air.



### Our Standard Delivery Equipment and Accesories



Magnet Door Handle

Thermo-Hydrometer + Sandglass

Wooden Bucket and Ladle

Lamp



Tempered Glass Door



Emaux Saunas Interior

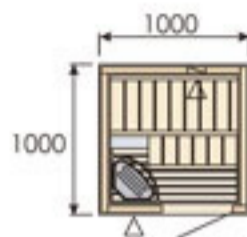


Soft Bench Corner

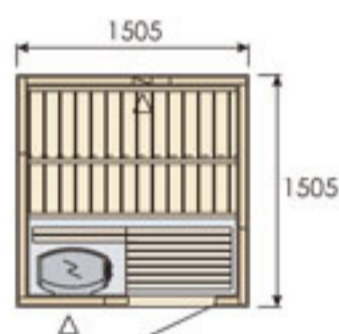
## SAUNA ROOM

**EMS 1000****Specifications**

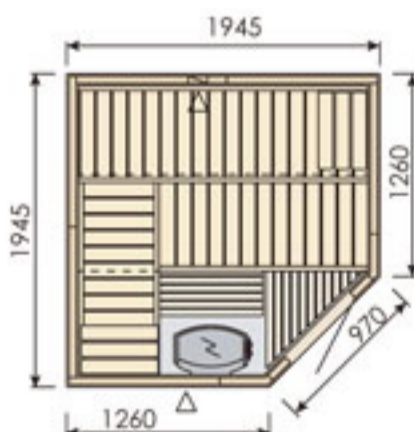
- Code: 88400101
- 1m x 1m Sauna Room
- 1000 x 1000 x 2050mm
- Spruce Wood Panels
- Tempered Glass Door 6mm
- 2 Spruce Bench 860 x 400mm with bench surround
- 1 Lampshade with Lamp
- Sauna wooden floor base
- 1 Wood Bucket 4lts.
- 1 Wood Ladle 36cm
- Sand Glass and Thermo-hydrometer  
(Recommended Heater: 2.3kW)

**EMS 1500****Specifications**

- Code: 88400201
- 1.5m x 1.5m Sauna Room
- 1500 x 1500 x 2050mm
- Spruce Wood Panels
- Tempered Glass Door 6mm
- 2 Spruce Benches 1360 x 400mm with bench surround
- 2 Lampshade with Lamp
- Sauna wooden floor base
- 1 Wood Bucket 4lts.
- 1 Wood Ladle 36cm
- Sand Glass and Thermo-hydrometer  
(Recommended Heater: 6kW)

**EMS 2000****Specifications**

- Code: 88400301
- 2m x 2m Sauna Room
- 1950 x 1950 x 2050mm
- Spruce Wood Panels
- Tempered Glass Door 6mm with wooden frame
- 2 Spruce Benches 1800 x 500mm with bench surround
- 1 Spruce Bench 1300 x 500mm
- 3 Lampshade with Lamp
- Sauna wooden floor base
- 1 Wood Bucket 4lts.
- 1 Wood Ladle 36cm
- Sand Glass and Thermo-hydrometer  
(Recommended Heater: 6kW)



## SAUNA HEATER

## Sauna Heaters

## Performance and features

Sauna Heater is the "heart" of all saunas. It is the most important component because it is where heat is generated. Sauna Heaters are made from stainless steel for durability and with the large stone capacity our heaters provide the most effective and efficient heat exchange and air flow.



## BC30, BC35

Heaters in stainless steel with built-in control

Code	Model	Power	Sauna Dimensions
88410101	BC23	2.3kW	1.5 - 2.5 m <sup>3</sup>
88410102	BC30	3.0kW	2 - 4 m <sup>3</sup>
88410103	BC35	3.5kW	2 - 4.5 m <sup>3</sup>
88410301	BC23E	2.3kW	1.5 - 2.5 m <sup>3</sup>
88410302	BC30E	3.0kW	2 - 4 m <sup>3</sup>
88410303	BC35E	3.0kW	2 - 4.5 m <sup>3</sup>

## BC45, BC60, BC80, BC90

Heaters in stainless steel with built-in control



## BC45E, BC60E, BC80E, BC90E

Heaters in stainless steel made for external control unit

Code	Model	Power	Sauna Dimensions
88410104	BC45	4.5kW	3 - 6 m <sup>3</sup>
88410105	BC60	6.0kW	5 - 8 m <sup>3</sup>
88410106	BC80	8.0kW	7 - 12 m <sup>3</sup>
88410107	BC90	9.0kW	8 - 14 m <sup>3</sup>
88410304	BC45E	4.5kW	3 - 6 m <sup>3</sup>
88410305	BC60E	6.0kW	5 - 8 m <sup>3</sup>
88410306	BC80E	8.0kW	7 - 12 m <sup>3</sup>
88410307	BC90E	9.0kW	8 - 14 m <sup>3</sup>

## BC105, BC135, BC165

Heaters in stainless steel made for external control unit



Code	Model	Power	Sauna Dimensions
88410108	BC105	10.5kW	9 - 15 m <sup>3</sup>
88410110	BC135	13.5kW	11 - 20 m <sup>3</sup>
88410111	BC165	16.5kW	15 - 25 m <sup>3</sup>

## Sauna Accessories

Model	Code	Description
CH150	87020031	Control Unit (Digital)

- Specially Designed for heaters from 2kW - 16.5kW
- Adjustable temperature from 40 - 110°C
- 4, 6, 12 Hours programable constant working time and programable 12 hours



Model	Code	Description
SAC10003	87020005	4L Sauna Water Bucket
SAC10107	87020006	7L Sauna Water Bucket
SAC10640	87020008	36cm Wood Ladle
SAC10650	87020009	48cm Wood Ladle



4L Sauna Water Bucket



7L Sauna Water Bucket



48cm Wood Ladle

36cm Wood Ladle

Model	Code	Description
SAC19800	87020010	Sandglass
SAS92300	87020015	Thermo-Hygrometer
SAC92300	87020014	Thermometer
SAS21101	87020018	Lampshade
SAS21060	87020019	Lamp
SAZ001	87020022	Door Handle
N/A	87020001	Sauna Stones 10 Kg
N/A	87020016	Sauna Stones 20 Kg



Magnet Door Handle



Sandglass



Thermo-Hydrometer



Lampshade



Lamp



Sauna Stones

## INFORMATION

## Unit Conversation Table

Length	Inch (in)	Foot (ft)	Meter (m)
Inch (in)	1	0.083	0.025
Foot (ft)	12	1	0.305
Meter (m)	39.37	3.281	1

Area	Square inch (in <sup>2</sup> )	Square foot (ft <sup>2</sup> )	Square meter (m <sup>2</sup> )	Square centimeter (cm <sup>2</sup> )
Square inch (in <sup>2</sup> )	1	0.0069	0.000645	6.45
Square foot (ft <sup>2</sup> )	144.036	1	0.093	929.03
Square meter (m <sup>2</sup> )	1150.388	10.764	1	10
Square centimeter (cm <sup>2</sup> )	0.155	0.00107	0.0001	1

Capacity/Volume	Square inch (in <sup>2</sup> )	U.S. gallon (US gal)	Cubic meter (m <sup>3</sup> )	Liter (l)
Imperial gallon (UK gal)	1	1.201	0.0045	6.45
U.S. gallon (US gal)	0.833	1	00.0038	929.03
Cubic meter (m <sup>3</sup> )	264.172	219.969	1	10
Liter (l)	0.22	0.264	0.001	1

Mass/Weight	Pound (lb)	Kilogram (kg)	Gram (g)
Pound (lb)	1	0.454	453.59
Kilogram (kg)	2.205	1	1000
Gram (g)	0.0022	0.001	1

Pressure	Pounds per square inch (psi)	Bar (bar)	Pascal (pa)	KG per square cm (kg/cm <sup>2</sup> )
Pounds per square inch (psi)	1	0.0689	6894.76	0.07
Bar (bar)	14.504	1	100000	1.019
Pascal (pa)	0.00014	0.00001	1	0.0001
KG per square cm (kg/cm <sup>2</sup> )	14.228	0.981	98100	1

Power	British Thermal Unit/hour (BTU/h)	Horsepower (HP)	Kilowatt (kW)
British Thermal Unit/hour (BTU/h)	1	0.00039	0.00029
Horsepower (HP)	2544.43	1	0.746
Kilowatt (kW)	3412.14	1.341	1

Velocity	Inch/second (in/s)	Foot/second (ft/s)	Meter/second (m/s)	Meter/hour (m/h)
Inch/second (in/s)	1	0.083	0.025	91.44
Foot/second (ft/s)	12	1	0.305	1097.28
Meter/second (m/s)	39.37	3.281	1	3600
Meter/hour (m/h)	0.011	0.00091	0.00028	1

Flow	US gallon/minute (US gal/min)	UK gallon/minute (UK gal/min)	Cubic meters/hour (m <sup>3</sup> /h)	Liters/second (l/s)
US gallon/minute (US gal/min)	1	1.201	0.273	0.076
UK gallon/minute (UK gal/min)	0.833	1	0.227	0.063
Cubic meters/hour (m <sup>3</sup> /h)	3.667	4.403	1	0.278
Liters/second (l/s)	13.198	15.85	3.6	1

Temperature	Degree Celsius (°C)	Fahrenheit (°F)
Degree Celsius (°C)	1	32+[(9/5)x°C]
Fahrenheit (°F)	(5/9) x (°F-32)	1